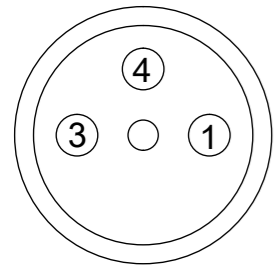


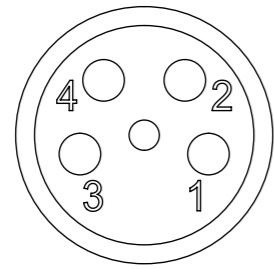
M8 3 POLE FEMALE



VIEW FROM FRONT SIDE

Pin	Wire color
1	BN
3	BU
4	BK

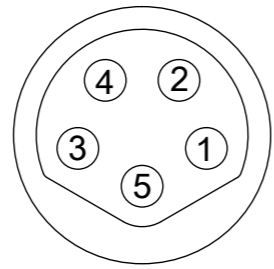
M8 4 POLE FEMALE



VIEW FROM FRONT SIDE

Pin	Wire color
1	BN
2	WH
3	BU
4	BK

M8 5 POLE FEMALE



VIEW FROM FRONT SIDE

Pin	Wire color
1	BN
2	WH
3	BU
4	BK
5	GY

PART No MATRIX

4 R X L40 E02 X X X X X

4=Nano Change

R=Receptacle

L40 = M12 Rear Mount/PCB Female

E02=0.25mm PVC

Units:
M=Meter
C= Centimeter

Length Examples:
005=0.5 units
010=1 units
050=5 units
100=10 units
200=20 units

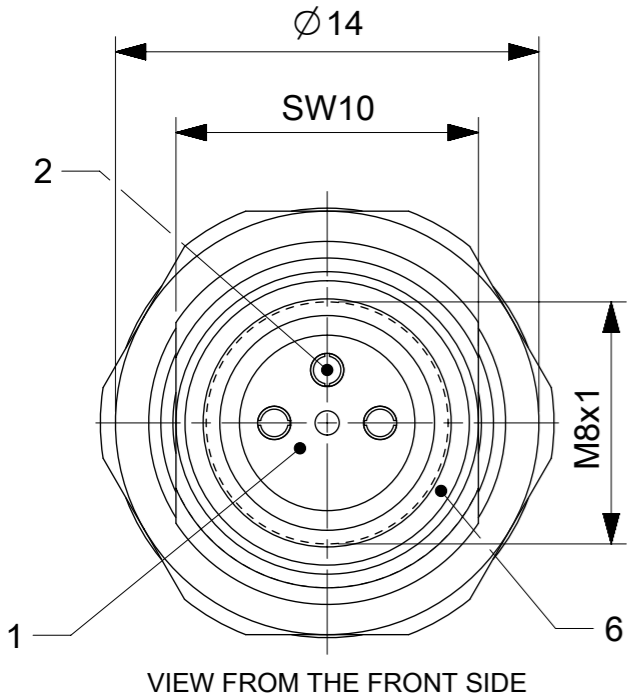
OPTIONS

Shell Material:
3=Brass, Nickel Plated

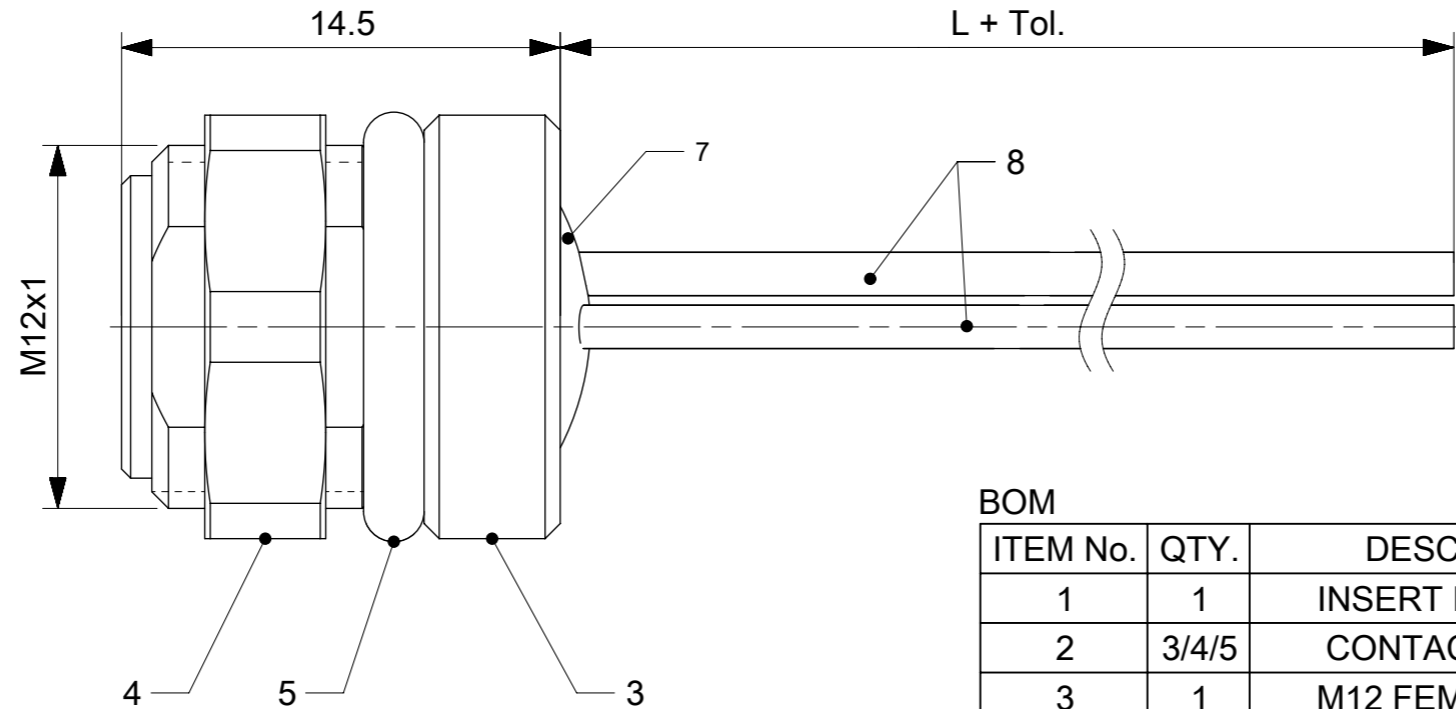
Poles:
3=3 Poles
4=4 Poles
5=5 Poles
8=8 Poles

CABLE SPECIFICATION :

CABLE TYPE	NO. OF WIRES	CROSS SECTION	CABLE JACKET	UL	CSA	RATED VOLTAGE	RATED TEMPERATURE
E02	3 / 4 / 5	0.25mm ²	PVC	UL758, UL1581	C22.2 No.210	300	105



VIEW FROM THE FRONT SIDE



CONNECTOR SPECIFICATION :

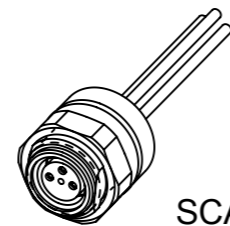
RATED VOLTAGE: 3 CONTACTS 60V A.C or D.C
4 AND 5 CONTACTS 30V A.C or D.C
RATED CURRENT: 3, 4, 5 CONTACTS 3A
TEMPERATURE RANGE: -25°C to +85°C
PROTECTION CATEGORY: IP67

BOM

ITEM No.	QTY.	DESCRIPTION	MATERIAL	FINISH/COLOR
1	1	INSERT M8 FEMALE	TPU	BLACK
2	3/4/5	CONTACT FEMALE	BRASS	GOLD OVER NICKEL PLATED
3	1	M12 FEMALE SHELL	BRASS	Ni-PLATED
4	1	LOCK NUT M12x1	BRASS	Ni-PLATED
5	1	O-RING (9.5x2)	NBR	BLACK
6	1	O-RING (5.0x0.8)	FKM	RED
7	-	ADHESIVE(FILLING RESIN)	WEVO	-
8	-	WIRES (24AWG)	-	-

WIRES LENGTH TOLERANCE

OVER [mm]	UP TO AND INCLUDING [mm]	TOLERANCES [mm]
0	305	+19
305	915	+45
915	1830	+56
1830	3660	+89
3660	7320	+165
7320	14640	+317
14640	30500	+610
30500	>	+2% of finished length



SCALE 1:1

TABLE 1

MOLEX PN	ENGINEERING No.	POLES	L (mm)
1200905104	4R3L40E02C200	3 POLES	200
1200908054	4R3L40E02C250	3 POLES	250
1200908037	4R4L40E02C200	4 POLES	200
1200908056	4R5L40E02C200	5 POLES	200

THIS DRAWING CONTAINS INFORMATION THAT IS PROPRIETARY TO MOLEX ELECTRONIC TECHNOLOGIES, LLC AND SHOULD NOT BE USED WITHOUT WRITTEN PERMISSION

SYMBOLS

▽ = 0	mm	SCALE 4:1
▽ = 0	GENERAL TOLERANCES (UNLESS SPECIFIED)	
▽ = 0	ANGULAR TOL ± 1.0°	
▽ = 0	4 PLACES ±	
▽ = 0	3 PLACES ±	
▽ = 0	2 PLACES ± 0.05	
▽ = 0	1 PLACE ± 0.3	
▽ = 0	0 PLACES ± 0.5	
■ = 0	DRAFT WHERE APPLICABLE MUST REMAIN WITHIN DIMENSIONS	
▽ = 0	THIRD ANGLE PROJECTION	DRAWING A3-SIZE

CURRENT REV DESC:

EC NO: 601982
DRWN: SSM 2018/07/16
CHK'D: RSILLER 2018/07/26
APPR: RSILLER 2018/07/26

INITIAL REVISION:
DRWN: SSM 2018/07/16
APPR: RSILLER 2018/07/26

molex

REC M8 XP XC FE XM M12 BM WIR BRA

PRODUCT CUSTOMER DRAWING

DOCUMENT NUMBER	DOC TYPE	DOC PART	REVISION
1200905104	PSD	000	A

MATERIAL NUMBER: SEE TABLE 1
CUSTOMER: GENERAL MARKET
SHEET NUMBER: 1 OF 1