

# GSM Antenna

Model: JCG018



1 Part Number

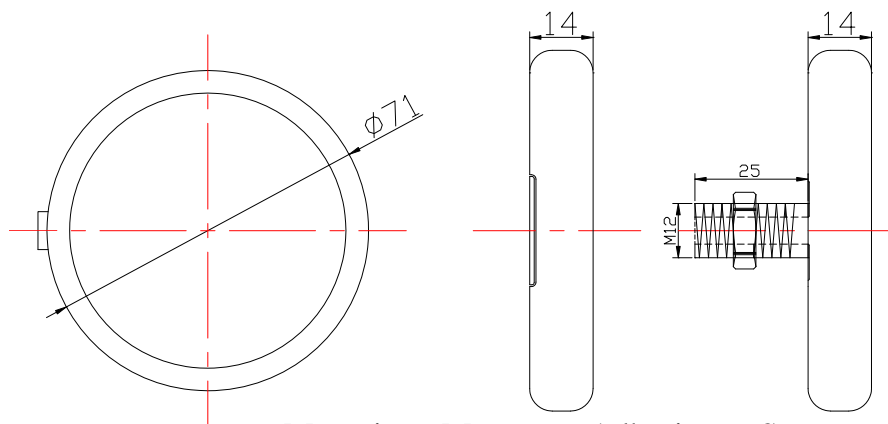
JC G 018

Serial Number

G: GSM Antenna

JC: Jiashan Jinchang Electron CO.,LTD

2 Dimension (Unit: mm)



Mounting : Magnet or Adhesive or Screw



3 Electrical Characteristics

3.1 GSM Antenna

Form 1

No.	Item	Specifications
1	Frequency	880~960 MHz/1710~2170 MHz
2	V.S.W.R (5m)	$\leq 2.0 : 1$
3	Gain (Zenith)	2 dBi
4	Impedance	50 $\Omega$

3.2 Mechanical

Form 2

No.	Item	Specification
1	Cable	RG174 3m/5m or others
2	Connector	SMA/SMB/MCX or others
3	Plastic Housing	Black
4	Mounting	Screw/Magnet/Adhesive