

Low Profile Panel Mount Blank



Low Profile Black Panel Blank (KAPMkpk)

Light-weight, durable blank able to be used with panel mount panels of virtually any thickness. They are supplied with both flathead M3, and 4:40 screw which ensures a flush, aesthetically pleasing finish.

Features

- Supplied with 2 pairs of screws
 - 2 x black, black flat head M3 screws
 - 2 x black, black flat head 4:40 screws to fit in US style panels
- For installations where more flexibility is needed, please see our 2-part panel mount blank, KAPMkpk2.

Specifications

- Weight: 2.7g
- Dimensions: 11 x 19 x 35mm
- Colour: Black, RAL 9011
- Material:
 - Blank: Polycarbonate UL94V-0
 - Screws: Steel



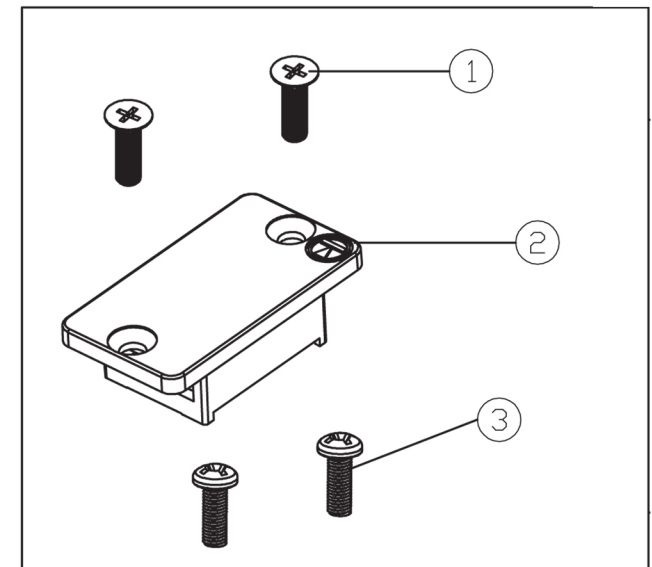
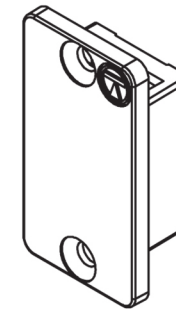
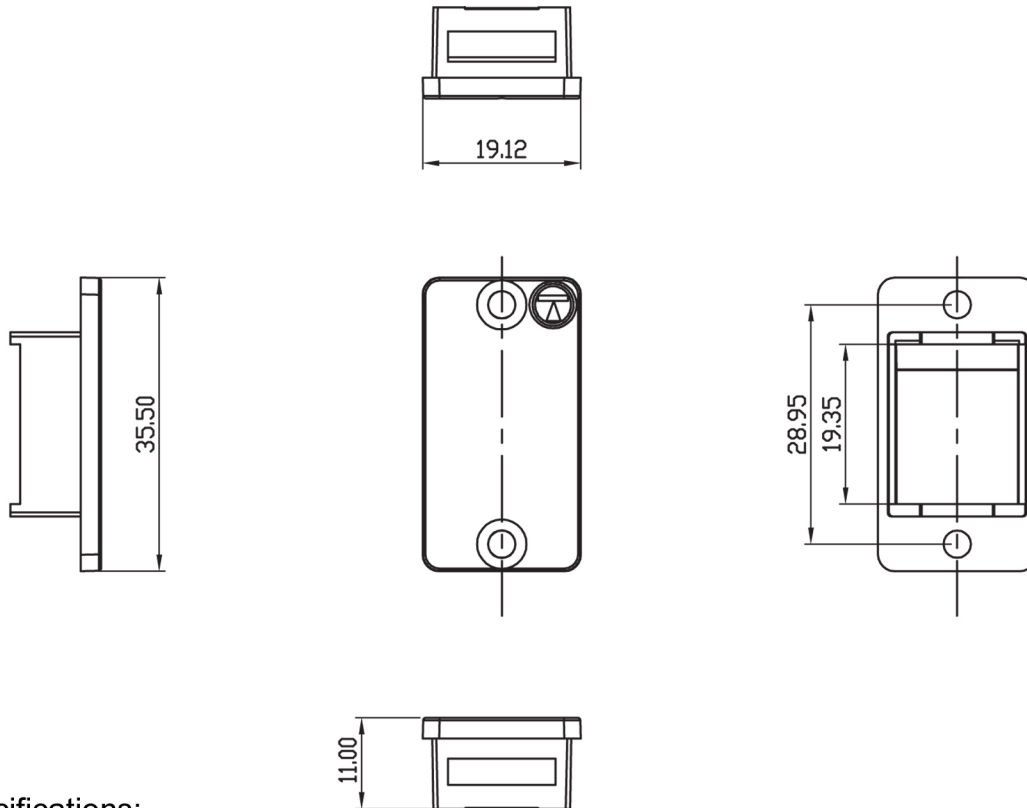
Packaging: Supplied in bags of 20, then individually packed

EAN: 5055386509451

Commodity code: 85444290

ROHS Compliant

Code: KAPMkpk



Specifications:

- Materials:

1. Fe
2. Black PC UL94V-0
3. Fe

-

- Working temperature: -10 ~ 60°C

- Storage temperature: -40 ~ 70°C