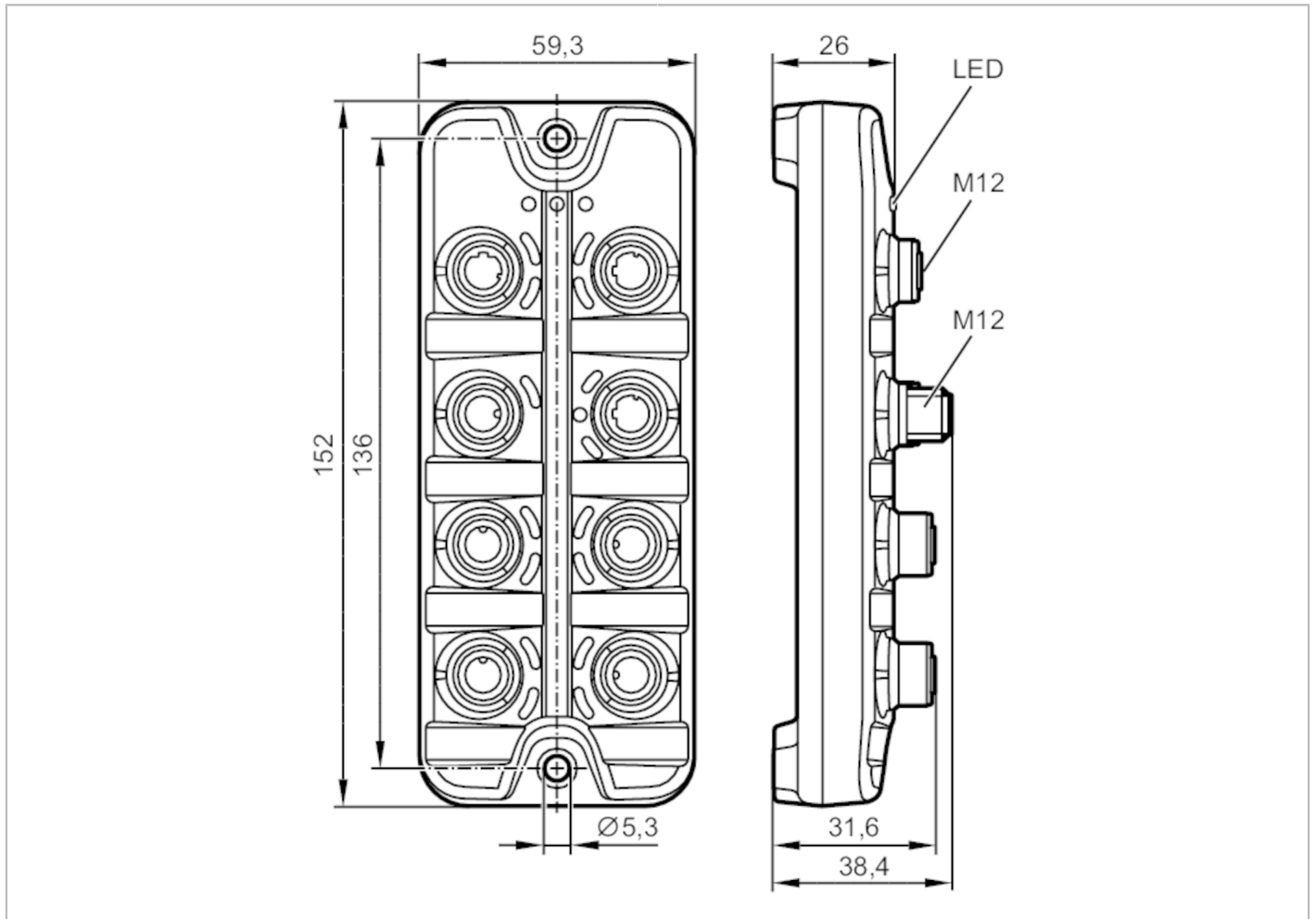


AL1320



IO-Link master with EtherNet/IP interface

IO-Link Master DL EIP 4P IP67



Application	
Application	I/O modules for field applications
Daisy-chain function	fieldbus interface
Electrical data	
Operating voltage [V]	20...30 DC; (US; to SELV/PELV)
Current consumption [mA]	300...3900; (US)
Protection class	III
Sensor supply US	
Max. current load total [A]	3.6
Inputs / outputs	
Total number of inputs and outputs	8; (configurable)
Number of inputs and outputs	Number of digital inputs: 8; Number of digital outputs: 4



IO-Link master with EtherNet/IP interface

IO-Link Master DL EIP 4P IP67

Inputs	
Number of digital inputs	8; (IO-Link Port Class A: 4 x 2)
Switching level high [V]	11...30
Switching level low [V]	0...5
Digital inputs protected against short circuits	yes
Outputs	
Number of digital outputs	4; (IO-Link Port Class A: 4 x 1)
Max. current load per output [mA]	300
Short-circuit proof	yes
Interfaces	
Communication interface	Ethernet; IO-Link
Note on interfaces	Supported network topologies; line; ring; DLR; Secure protocol; HTTPS
Ethernet - EtherNet/IP	
Transmission standard	10Base-T; 100Base-TX
Transmission rate	10; 100
Protocol	EtherNet/IP
Factory settings	IP address: 192.168.1.250
	subnet mask: 255.255.255.255
	gateway IP address: 0.0.0.0
	MAC address: see type label
Ethernet - Internet of Things	
Transmission standard	10Base-T; 100Base-TX
Transmission rate	10; 100
Protocol	MQTT JSON
Factory settings	IP address: 169.254.x.x
	subnet mask: 255.255.0.0
	gateway IP address: 0.0.0.0
	MAC address: see type label
IO-Link Master	
Transmission type	COM 1 / COM 2 / COM 3
IO-Link revision	1.1
Number of ports class A	4
Operating conditions	
Ambient temperature [°C]	-25...60
Storage temperature [°C]	-25...85
Max. relative air humidity [%]	90
Protection	IP 65; IP 66; IP 67
Degree of soiling	2



IO-Link master with EtherNet/IP interface

IO-Link Master DL EIP 4P IP67

Tests / approvals		
EMC	EN 61000-6-2	
	EN 61000-6-4	
Shock resistance	DIN EN 60068-2-27	
Vibration resistance	DIN EN 60068-2-64 2009-04	
	DIN EN 60068-2-6 2008-10	
MTTF [years]		90

Mechanical data		
Weight [g]		271
Materials	housing: PA; socket: brass nickel-plated	

Remarks		
Remarks	For further information please see the operating instructions.	
Pack quantity		1 pcs.

Electrical connection - Ethernet

EtherNet/IP X21, X22		
1	TX +	
2	RX +	
3	TX -	
4	RX -	
5	not used	

IoT X23		
1	TX +	
2	RX +	
3	TX -	
4	RX -	
5	not used	

Connector: M12



Electrical connection - Process connection

IO-Link Port Class A X01...X04		
1	Sensorversorgung (US) L+	
2	digital input	
3	Sensorversorgung (US) L-	
4	C/Q IO-Link	
5	not used	

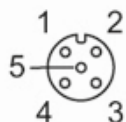
Connector: M12

AL1320



IO-Link master with EtherNet/IP interface

IO-Link Master DL EIP 4P IP67



Electrical connection - voltage supply

X31

1	+ 24 V DC (US)
2	not used
3	GND (US)
4	not used

Connector: M12

