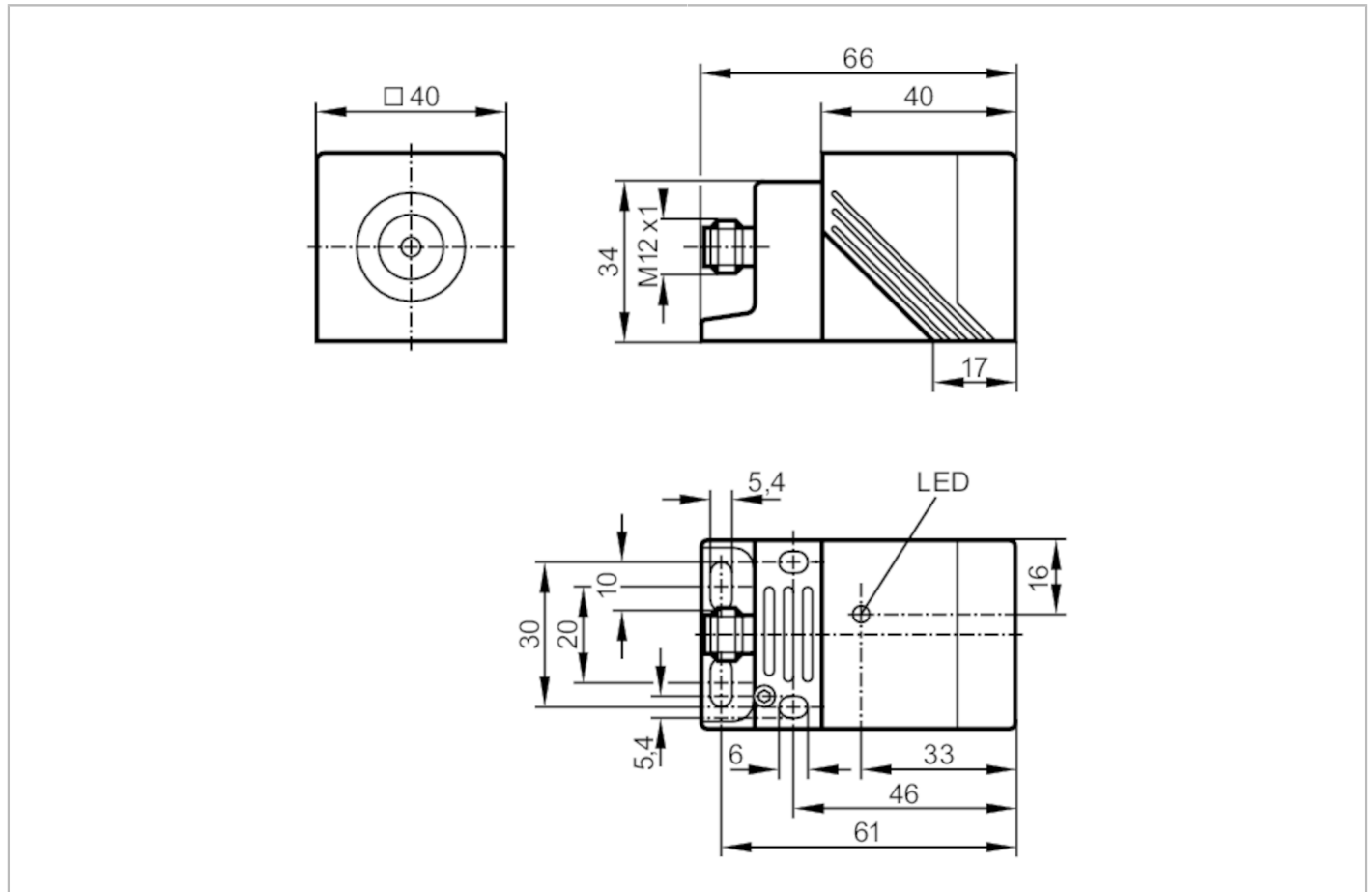


NM501A



Inductive NAMUR sensor

IMC2035-N/US/2G/1D





Product characteristics	
Electrical design	NAMUR
Output function	normally closed
Sensing range [mm]	35
Housing	rectangular
Dimensions [mm]	40 x 40 x 66
Electrical data	
Connection to switching amplifiers	yes
Switching amplifiers	connection to certified intrinsically safe circuits with the max. values: $U = 15 \text{ V} / I = 50 \text{ mA} / P = 120 \text{ mW}$
Nominal voltage DC [V]	8.2; (1k Ω)
Supply voltage DC [V]	7.5...30; (when used outside the hazardous area)
Current consumption [mA]	< 1; (disabled; conductive: > 2,1)
Protection class	III

NM501A



Inductive NAMUR sensor

IMC2035-N/US/2G/1D

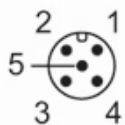
Outputs	
Electrical design	NAMUR
Output function	normally closed
Permanent current rating of switching output DC [mA]	30; (when used outside the hazardous area)
Switching frequency DC [Hz]	100
Detection zone	
Sensing range [mm]	35
Real sensing range Sr [mm]	35 ± 10 %
Accuracy / deviations	
Correction factor	steel: 1 / stainless steel: 0.7 / brass: 0.5 / aluminium: 0.4 / copper: 0.3
Hysteresis [% of Sr]	1...15
Switch point drift [% of Sr]	-10...10
Operating conditions	
Ambient temperature [°C]	-20...70
Protection	IP 67
Tests / approvals	
Approval	BVS 04 ATEX E 091 X; IECEx BVS 06.0003
ATEX marking	 II 2G Ex ia IIB T6 Gb
	 II 1D Ex ia IIIC T 90°C Da
EMC	EN 60947-5-6
Shock/vibration resistance	30 g (11 ms) / 10-55 Hz (1 mm)
MTTF [years]	2935
Safety classification	
Max. internal capacitance [nF]	220
Max. internal inductance [µH]	710
Mechanical data	
Weight [g]	189.5
Housing	rectangular
Mounting	non-flush mountable
Dimensions [mm]	40 x 40 x 66
Materials	housing: PPE; end cap: PPS; connector housing: brass special coating; mounting adapter: PPS
Displays / operating elements	
Display	switching status
	1 x LED, yellow
Accessories	
Accessories (supplied)	Mounting bracket: 1 Allen key: 1
Remarks	
Remarks	5 positions of the active zone possible
Pack quantity	1 pcs.
Electrical connection - plug	
Connector: 1 x M12	

NM501A

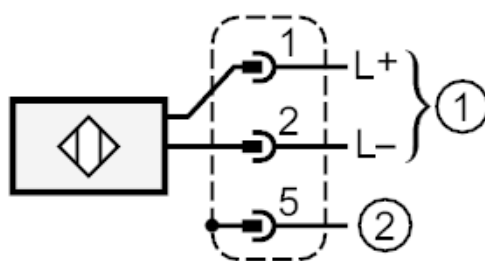


Inductive NAMUR sensor

IMC2035-N/US/2G/1D



Connection



- 1 = connection to NAMUR amplifiers
- 2 = potential equalisation of plug housing