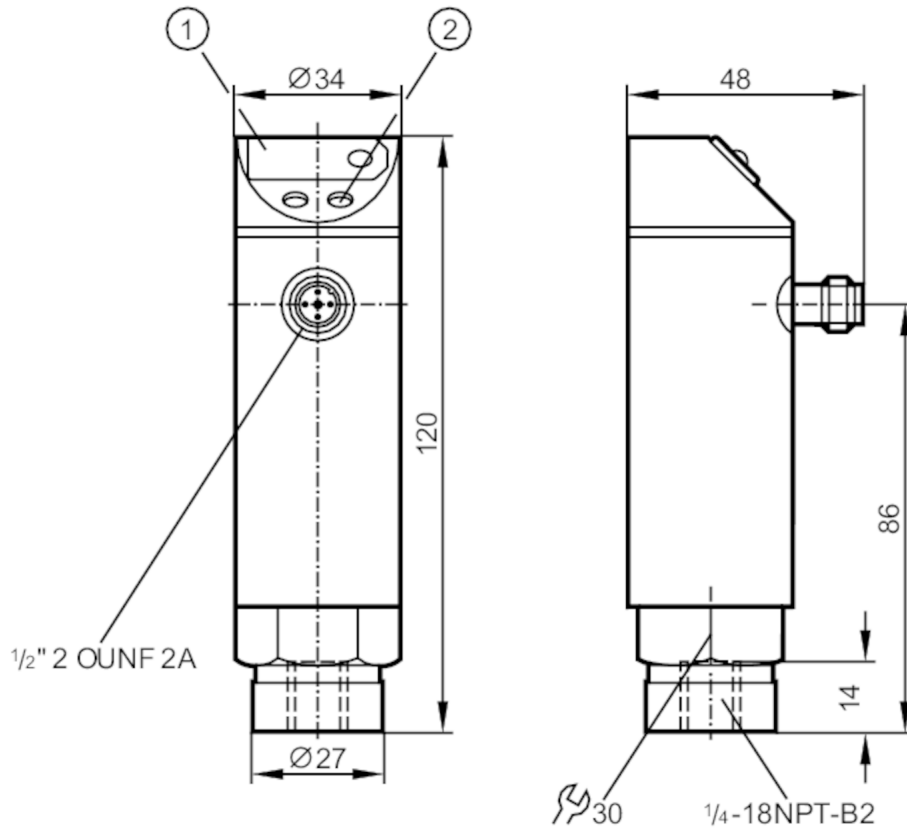


PN4229



Pressure sensor with display

PN-1-1-RBN14-HFBOWLS/ IV



- 1 7-segment LED display
- 2 programming button



Product characteristics

Output signal	switching signal			
Measuring range	-1...1 bar	-1000...1000 mbar	-30...30 inHg	-100...100 kPa
Process connection	threaded connection 1/4 NPT internal thread			

Application

Application	for industrial applications		
Media	liquids and gases		
Medium temperature [°C]	-25...80		
Pressure rating	20 bar	590 inHg	2000 kPa
Min. bursting pressure	50 bar	1476 inHg	5000 kPa
Type of pressure	relative pressure; vacuum		

PN4229



Pressure sensor with display

PN-1-1-RBN14-HFBOWLS/ IV

Electrical data					
Operating voltage tolerance	[%]			5...10	
Operating voltage	[V]			85...265 AC	
Nominal voltage AC	[V]			< 250	
Current consumption	[mA]			< 10	
Min. insulation resistance	[MΩ]			100; (500 V DC)	
Protection class				II	
Reverse polarity protection				no	
Power-on delay time	[s]			0.2	
Integrated watchdog				yes	
Inputs / outputs					
Number of inputs and outputs				Number of digital outputs: 1	
Outputs					
Total number of outputs				1	
Output signal				switching signal	
Electrical design				Triac	
Number of digital outputs				1	
Output function				normally open / normally closed; (parameterisable)	
Max. voltage drop switching output AC	[V]			2	
Permanent current rating of switching output AC	[mA]			250; ((...70 °C) 1000 (...60 °C) 1500 (...45 °C) 2500 (...20 °C))	
Switching frequency AC	[Hz]			< 160	
Short-circuit proof				no	
Overload protection				no	
Measuring/setting range					
Measuring range		-1...1 bar	-1000...1000 mbar	-30...30 inHg	-100...100 kPa
Set point SP		-0.97...1 bar		-29...30 inHg	-97...100 kPa
Reset point rP		-0.99...0.98 bar		-30...29 inHg	-99...98 kPa
In steps of		0.01 bar		1 inHg	1 kPa
Accuracy / deviations					
Switch point accuracy	[% of the span]				< ± 1,0
Repeatability	[% of the span]				< ± 0,1; (with temperature fluctuations < 10 K)
Linearity deviation	[% of the span]				< ± 0,5
Hysteresis deviation	[% of the span]				< ± 0,1
Long-term stability	[% of the span]				< ± 0,1; (per year)
Temperature coefficient zero point	[% of the span / 10 K]				< ± 0,2; (-25...80 °C)
Temperature coefficient span	[% of the span / 10 K]				< ± 0,3; (-25...80 °C)

PN4229



Pressure sensor with display

PN-1-1-RBN14-HFBOWLS/ IV

Response times		
Delay time programmable dS, dr [s]		0, 0,2,...10, 11,...50
Damping for the switching output dAP [s]		0...4
Software / programming		
Adjustment of the switch point		programming button
Parameter setting options		hysteresis / window; normally open / normally closed; switch-on/switch-off delay; Damping; adaptation of displayed values; display can be rotated and switched off; Display unit
Operating conditions		
Ambient temperature [°C]		-25...80
Storage temperature [°C]		-40...100
Protection		IP 65
Tests / approvals		
EMC	EN 61000-4-2 ESD	4 kV CD / 8 kV AD
	EN 61000-4-3 HF radiated	10 V/m
	EN 61000-4-4 Burst	2 kV
	EN 61000-4-6 HF conducted	10 V
Shock resistance	DIN IEC 68-2-27	50 g (11 ms)
Vibration resistance	DIN IEC 68-2-6	20 g (10...2000 Hz)
MTTF [years]		224.58
Pressure Equipment Directive		Sound engineering practice; can be used for group 2 fluids; group 1 fluids on request
Mechanical data		
Weight [g]		389
Materials		stainless steel (1.4301 / 304); PC; PBT; PA; FKM
Materials (wetted parts)		stainless steel (1.4305 / 303); ceramics; FKM
Min. pressure cycles		100 million
Process connection		threaded connection 1/4 NPT internal thread
Restrictor element integrated		no (can be retrofitted)
Displays / operating elements		
Display	switching status	LED, red
	function display	7-segment LED display
	measured values	7-segment LED display
Electrical connection		
Required protection		miniature fuse to IEC60127-2 sheet 1; ≤ 5 A; fast acting
Remarks		
Remarks		n.c. = not used
Pack quantity		1 pcs.
Electrical connection		
Connector: 1 x 1/2"		

PN4229

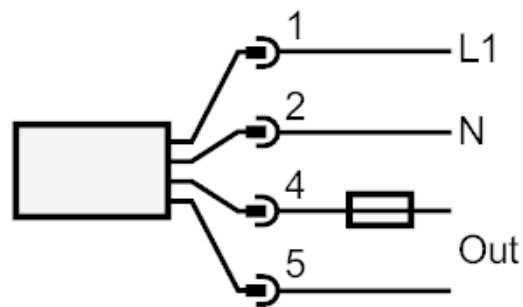


Pressure sensor with display

PN-1-1-RBN14-HFBOWLS/ IV



Connection



Note miniature fuse to IEC60127-2 sheet 1 ≤ 5 A fast acting