

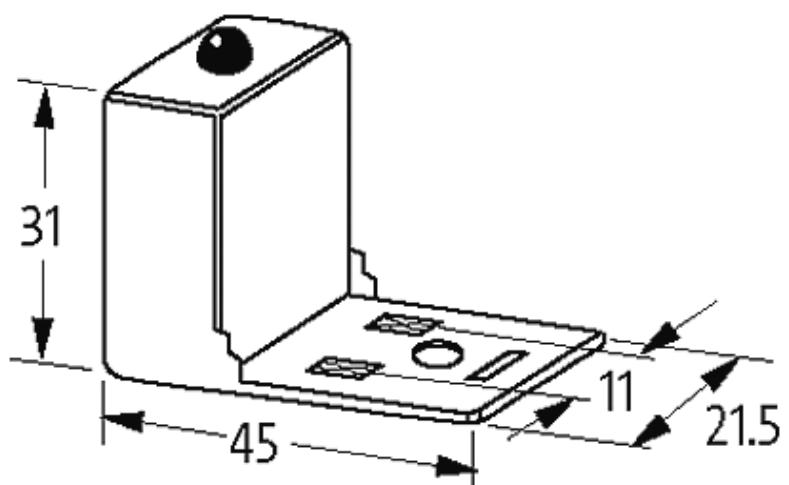
VALVE PLUG SUPPRESSOR FORM BI - 11MM

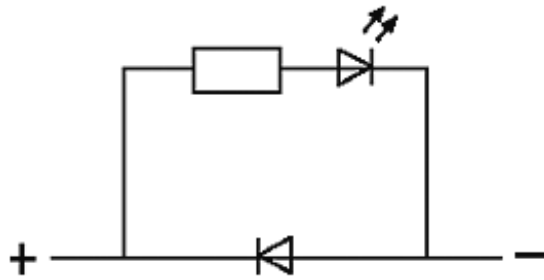
Diode and LED, 24VDC/50VA/W

24 V DC

Diode + LED

Remove plug gasket when fitting adapter. Other LED colors on request. Note PIN arrangement (PE at cable outlet of connector). 180° turned version on request. Polarity dependent

[Link to Product](#)**Illustration**



LED + Diode

Product may differ from Image

Technical Data

LED display	(yellow opac)
Contact material	Silvered bronze
Material	Polyamide black, flame retardant, temperature resistance up to 130 °C
Switch off delay time	max. 200 ms
Switch off peak	1 V
Max. power (W)	max. 50 W(VA)

General data

Temperature range	-20...+60 °C
Dimensions H × W × D	31×45×21.5 mm

Commercial data

country of origin	CZ
customs tariff number	85363010
minimum order quantity	1