

M12 female 90° with cable LED

PUR 4x0.34 bk UL/CSA+robot+drag chain 1m

M12

Female 90°

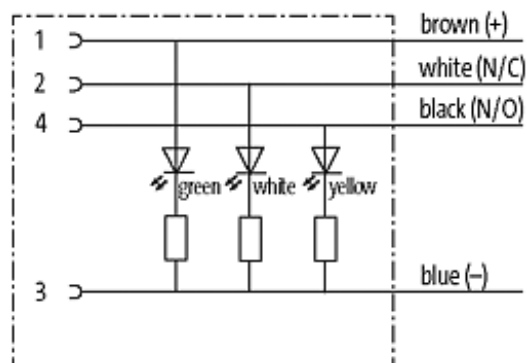
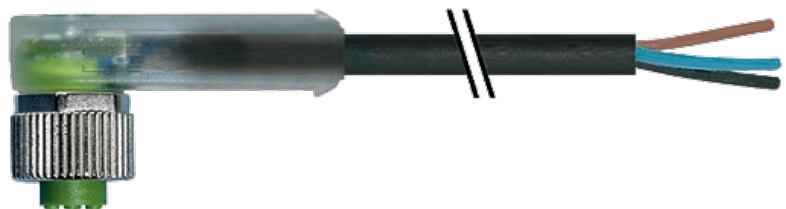
4-pole with 3 × LED (PNP)

Art.-No. 7005 - M12 Lite - (plastic hexagonal screw) on request

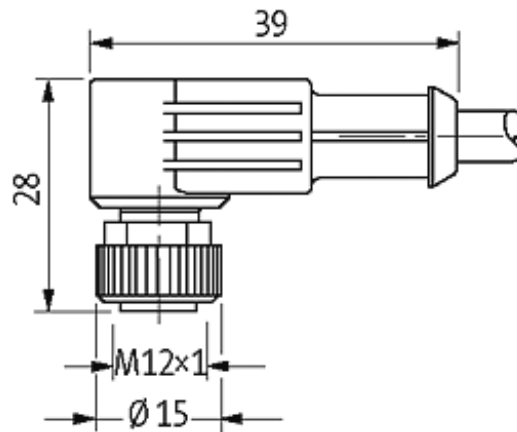
Plastic housings with good resistance against chemicals and oils. The resistance to aggressive media should be individually tested for your application. Further details on request. Further cable lengths on request.

[Link to Product](#)

Illustration



Female



Product may differ from Image