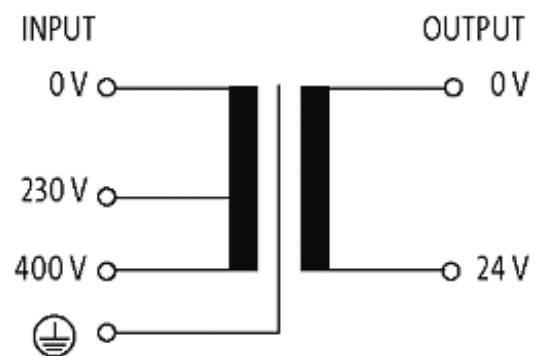


MST 1-PHASE SAFETY TRANSFORMER

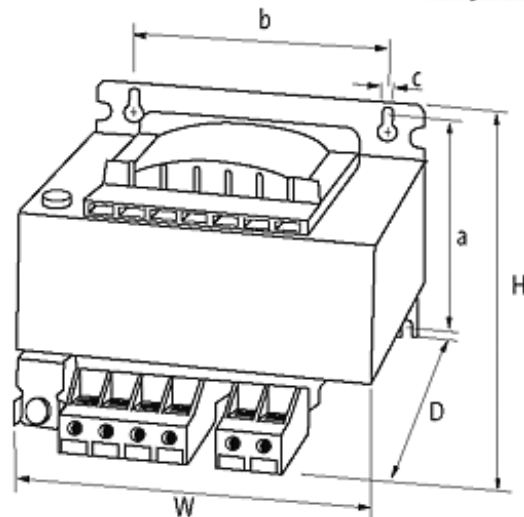
P: 500VA IN: 230/400VAC OUT: 24VAC

Single-phase safety transformer
500 VA
Isolation class T 40/B

Other voltages on request.

[Link to Product](#)**Illustration**

stay connected



Product may differ from Image

Approvals



Input

Input voltage	230/400 V AC
Frequency	50...60 Hz
Input current	2.4 A (230 V AC); 1.4 A (400 V AC)
Inrush current	81 A (230 V AC); 17.3 A (400 V AC)
Short-circuit current	40.4 A (230 V AC); 21.2 A (400 V AC)

General data

Standards	(EN 61558-1), (EN 61558-2-6), (EN 62041 category 0)
Test isolation voltage	4 kV (prim./sec.)
Mounting method	Key-hole mounting
Temperature range	-20...+40 °C, no condensation
Dimensions H x W x D	108x135x133.6 mm
Fixing centers a x b x c	87x104x5.8 mm
Drill hole Ø	5.8x10 mm

Output

Output voltage	24 V AC (SELV)
----------------	----------------

Commercial data

country of origin	CZ
customs tariff number	85043180
minimum order quantity	1