



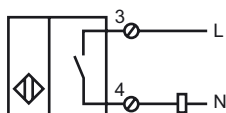
**Model Number**

NBB15-30GKK-WS

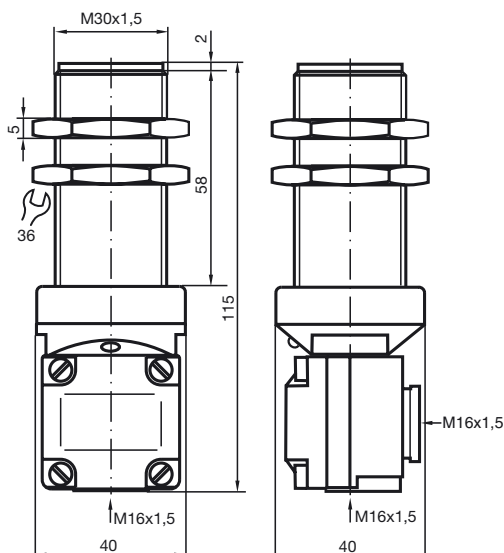
**Features**

- Basic series
- 15 mm embeddable

**Connection**



**Dimensions**



**Technical Data**

**General specifications**

Switching element function	AC	NO
Rated operating distance	$s_n$	15 mm
Installation		embeddable
Output polarity		AC
Assured operating distance	$s_a$	0 ... 12.15 mm
Reduction factor $r_{Al}$		0.33
Reduction factor $r_{Cu}$		0.28
Reduction factor $r_{304}$		0.82

**Nominal ratings**

Operating voltage	$U_B$	20 ... 250 V
Switching frequency	$f$	0 ... 20 Hz
Hysteresis	$H$	typ. 5 %
Short-circuit protection		no
Voltage drop	$U_d$	$\leq 8$ V
Momentary current (20 ms, 0.1 Hz)		0 ... 1600 mA
Operating current	$I_L$	1.5 ... 200 mA
No-load supply current	$I_0$	$\leq 1.7$ mA

**Ambient conditions**

Ambient temperature	-25 ... 70 °C (-13 ... 158 °F)
---------------------	--------------------------------

**Mechanical specifications**

Connection type	terminal compartment
Core cross-section	up to 2.5 mm <sup>2</sup>
Housing material	PBT
Sensing face	PBT
Protection degree	IP67

Note  
 1) In the temperature range below 0 °C, permissible operating voltage  $U_b$  80...253 V  
 Safety fuse  $\leq 0.3$  A (quick-blow) according to IEC 60127-2 Sheet 1  
 Recommendation: after a short circuit, check that the device is functioning correctly.

**Compliance with standards and directives**

Standard conformity	
Standards	EN 60947-5-2:2007 IEC 60947-5-2:2007

**Approvals and certificates**

UL approval	cULus Listed, General Purpose
CSA approval	cCSAus Listed, General Purpose
CCC approval	Certified by China Compulsory Certification (CCC)

Release date: 2012-04-04 12:04 Date of issue: 2012-04-04 802849\_eng.xml