

Contactor AC1: 690A/ 690 V Coil DC 24 V x (0,7...1,25) PLC input
 DC 24...110 V auxiliary contacts: 2 NO + 2 NC 3-pole Size S12
 busbar connections coil terminals: screw type screw terminal



Figure similar

Product brand name	SIRIUS
Product type designation	3RT14
General technical data	
Size of contactor	S12
Product extension	
• Auxiliary switch	Yes
Surge voltage resistance rated value	8 kV
maximum permissible voltage for safe isolation	
• between coil and main contacts acc. to EN 60947-1	690 V
Protection class IP	
• on the front	IP00; IP20 on the front with cover / box terminal
• of the terminal	IP00
Shock resistance	
• for railway applications acc. to DIN EN 61373	Category 1, Class B
Shock resistance at rectangular impulse	
• at DC	8,5g / 5 ms, 4,2g / 10 ms

Shock resistance with sine pulse	
<ul style="list-style-type: none"> • at DC 	13,4g / 5 ms, 6,5g / 10 ms
Mechanical service life (switching cycles)	
<ul style="list-style-type: none"> • of contactor typical 	10 000 000
<ul style="list-style-type: none"> • of the contactor with added electronics-compatible auxiliary switch block typical 	5 000 000
<ul style="list-style-type: none"> • of the contactor with added auxiliary switch block typical 	10 000 000

Ambient conditions

Installation altitude at height above sea level	
<ul style="list-style-type: none"> • maximum 	2 000 m
Ambient temperature	
<ul style="list-style-type: none"> • during operation 	-40 ... +70 °C
<ul style="list-style-type: none"> • during storage 	-55 ... +80 °C

Main circuit

Number of poles for main current circuit	3
Number of NO contacts for main contacts	3
Number of NC contacts for main contacts	0
Operating voltage	
<ul style="list-style-type: none"> • at AC-3 rated value maximum 	1 000 V
Operating current	
<ul style="list-style-type: none"> • at AC-1 at 400 V <ul style="list-style-type: none"> — at ambient temperature 40 °C rated value 	690 A
<ul style="list-style-type: none"> • at AC-1 <ul style="list-style-type: none"> — up to 690 V at ambient temperature 40 °C rated value 	690 A
<ul style="list-style-type: none"> — up to 690 V at ambient temperature 60 °C rated value 	600 A
<ul style="list-style-type: none"> • at AC-2 at 400 V rated value 	170 A
<ul style="list-style-type: none"> • at AC-3 <ul style="list-style-type: none"> — at 400 V rated value 	170 A
<ul style="list-style-type: none"> — at 500 V rated value 	170 A
<ul style="list-style-type: none"> — at 690 V rated value 	170 A
Connectable conductor cross-section in main circuit at AC-1	
<ul style="list-style-type: none"> • at 60 °C minimum permissible 	480 mm ²
<ul style="list-style-type: none"> • at 40 °C minimum permissible 	480 mm ²
Operating current	
<ul style="list-style-type: none"> • at 1 current path at DC-1 <ul style="list-style-type: none"> — at 24 V rated value 	500 A
<ul style="list-style-type: none"> — at 110 V rated value 	33 A
<ul style="list-style-type: none"> — at 220 V rated value 	3.8 A

— at 440 V rated value	0.9 A
— at 600 V rated value	0.6 A
• with 2 current paths in series at DC-1	
— at 24 V rated value	500 A
— at 110 V rated value	500 A
— at 220 V rated value	500 A
— at 440 V rated value	4 A
— at 600 V rated value	2 A
• with 3 current paths in series at DC-1	
— at 24 V rated value	500 A
— at 110 V rated value	500 A
— at 220 V rated value	500 A
— at 440 V rated value	11 A
— at 600 V rated value	5.2 A
Operating current	
• at 1 current path at DC-3 at DC-5	
— at 24 V rated value	500 A
— at 110 V rated value	3 A
— at 220 V rated value	0.6 A
— at 440 V rated value	0.18 A
— at 600 V rated value	0.125 A
• with 2 current paths in series at DC-3 at DC-5	
— at 24 V rated value	500 A
— at 110 V rated value	500 A
— at 220 V rated value	2.5 A
— at 440 V rated value	0.65 A
— at 600 V rated value	0.37 A
• with 3 current paths in series at DC-3 at DC-5	
— at 24 V rated value	500 A
— at 110 V rated value	500 A
— at 220 V rated value	500 A
— at 440 V rated value	1.4 A
— at 600 V rated value	0.75 A
Operating power	
• at AC-1	
— at 230 V at 60 °C rated value	245 kW
— at 400 V rated value	430 kW
— at 400 V at 60 °C rated value	430 kW
— at 690 V rated value	740 kW
— at 690 V at 60 °C rated value	740 kW
• at AC-2 at 400 V rated value	90 kW

<ul style="list-style-type: none"> • at AC-3 <ul style="list-style-type: none"> — at 230 V rated value — at 400 V rated value — at 500 V rated value — at 690 V rated value 	160 kW 90 kW 110 kW 160 kW
Thermal short-time current limited to 10 s	4 kA
Power loss [W] at AC-3 at 400 V for rated value of the operating current per conductor	55 W
No-load switching frequency <ul style="list-style-type: none"> • at DC 	500 1/h
Operating frequency <ul style="list-style-type: none"> • at AC-1 maximum 	500 1/h
Operating frequency <ul style="list-style-type: none"> • at DC-1 maximum 	250 1/s

Ratings for railway applications

Thermal current (I_{th}) up to 690 V <ul style="list-style-type: none"> • up to 40 °C according to IEC 60077 rated value • up to 70 °C according to IEC 60077 rated value 	690 A 520 A
--	----------------

Control circuit/ Control

Type of voltage of the control supply voltage	DC
Control supply voltage at DC <ul style="list-style-type: none"> • rated value 	24 V
Operating range factor control supply voltage rated value of magnet coil at DC <ul style="list-style-type: none"> • initial value • Full-scale value 	0.7 1.25
Design of the surge suppressor	with varistor
Closing power of magnet coil at DC	800 W
Holding power of magnet coil at DC	3.6 W
Closing delay <ul style="list-style-type: none"> • at DC 	60 ... 90 ms
Opening delay <ul style="list-style-type: none"> • at DC 	80 ... 100 ms
Arcing time	10 ... 15 ms
Control version of the switch operating mechanism	PLC-IN or Standard A1 - A2 (adjustable)

Auxiliary circuit

Number of NC contacts <ul style="list-style-type: none"> • for auxiliary contacts <ul style="list-style-type: none"> — instantaneous contact 	2
Number of NO contacts <ul style="list-style-type: none"> • for auxiliary contacts 	

— instantaneous contact	2
Operating current at AC-12 maximum	10 A
Operating current at AC-15	
• at 230 V rated value	6 A
• at 400 V rated value	3 A
• at 500 V rated value	2 A
Operating current at DC-12	
• at 24 V rated value	10 A
• at 48 V rated value	6 A
• at 60 V rated value	6 A
• at 110 V rated value	3 A
• at 125 V rated value	2 A
• at 220 V rated value	1 A
• at 600 V rated value	0.15 A
Operating current at DC-13	
• at 24 V rated value	6 A
• at 48 V rated value	2 A
• at 60 V rated value	2 A
• at 110 V rated value	1 A
• at 125 V rated value	0.9 A
• at 220 V rated value	0.3 A
• at 600 V rated value	0.1 A
Contact reliability of auxiliary contacts	1 faulty switching per 100 million (17 V, 1 mA)

UL/CSA ratings

Full-load current (FLA) for three-phase AC motor	
• at 480 V rated value	180 A
• at 600 V rated value	192 A
Yielded mechanical performance [hp]	
• for three-phase AC motor	
— at 220/230 V rated value	75 hp
— at 460/480 V rated value	150 hp
— at 575/600 V rated value	200 hp
Contact rating of auxiliary contacts according to UL	A600 / Q600

Short-circuit protection

Design of the fuse link	
• for short-circuit protection of the main circuit	
— with type of coordination 1 required	Fuse gG: 800 A
— with type of assignment 2 required	fuse gR: 710 A
• for short-circuit protection of the auxiliary switch required	fuse gG: 10 A

Installation/ mounting/ dimensions

Mounting position	with vertical mounting surface +/-90° rotatable, with vertical mounting surface +/- 22.5° tiltable to the front and back
Mounting type	screw fixing
• Side-by-side mounting	Yes
Height	214 mm
Width	160 mm
Depth	225 mm
Required spacing	
• with side-by-side mounting	
— forwards	20 mm
— Backwards	0 mm
— upwards	10 mm
— downwards	10 mm
— at the side	10 mm
• for grounded parts	
— forwards	20 mm
— Backwards	0 mm
— upwards	10 mm
— at the side	10 mm
— downwards	10 mm
• for live parts	
— forwards	10 mm
— Backwards	0 mm
— upwards	10 mm
— downwards	10 mm
— at the side	10 mm

Connections/Terminals	
Type of electrical connection	
• for main current circuit	screw-type terminals
• for auxiliary and control current circuit	screw-type terminals
Type of connectable conductor cross-sections	
• for main contacts	
— stranded	2x (70 ... 240 mm ²)
— single or multi-stranded	2x (70 ... 240 mm ²)
• at AWG conductors for main contacts	2/0 ... 500 kcmil
Type of connectable conductor cross-sections	
• for auxiliary contacts	
— single or multi-stranded	2x (0,5 ... 1,5 mm ²), 2x (0,75 ... 2,5 mm ²), max. 2x (0,75 ... 4 mm ²)
— finely stranded with core end processing	2x (0.5 ... 1.5 mm ²), 2x (0.75 ... 2.5 mm ²)
• at AWG conductors for auxiliary contacts	2x (20 ... 16), 2x (18 ... 14), 1x 12

Safety related data

Product function

- Mirror contact acc. to IEC 60947-4-1
- positively driven operation acc. to IEC 60947-5-1

Yes
No

Certificates/approvals

General Product Approval	Functional Safety/Safety of Machinery	Declaration of Conformity
---------------------------------	--	----------------------------------



[Type Examination Certificate](#)



Test Certificates	Marine / Shipping	other	Railway
--------------------------	--------------------------	--------------	----------------

[Special Test Certificate](#)



[Confirmation](#)

[Miscellaneous](#)

[Confirmation](#)

[Vibration and Shock](#)

Further information**Information- and Downloadcenter (Catalogs, Brochures,...)**

<http://www.siemens.com/industrial-controls/catalogs>

Industry Mall (Online ordering system)

<https://mall.industry.siemens.com/mall/en/en/Catalog/product?mlfb=3RT1476-6XB46-0LA2>

Cax online generator

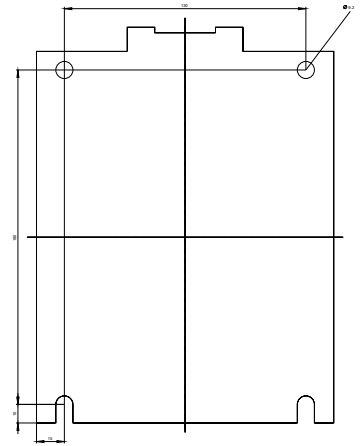
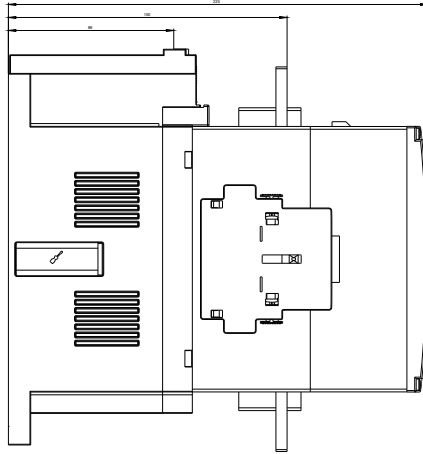
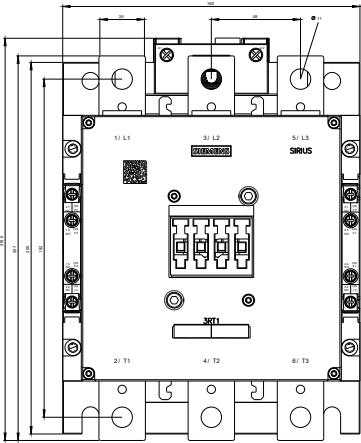
<http://support.automation.siemens.com/WW/CAXorder/default.aspx?lang=en&mlfb=3RT1476-6XB46-0LA2>

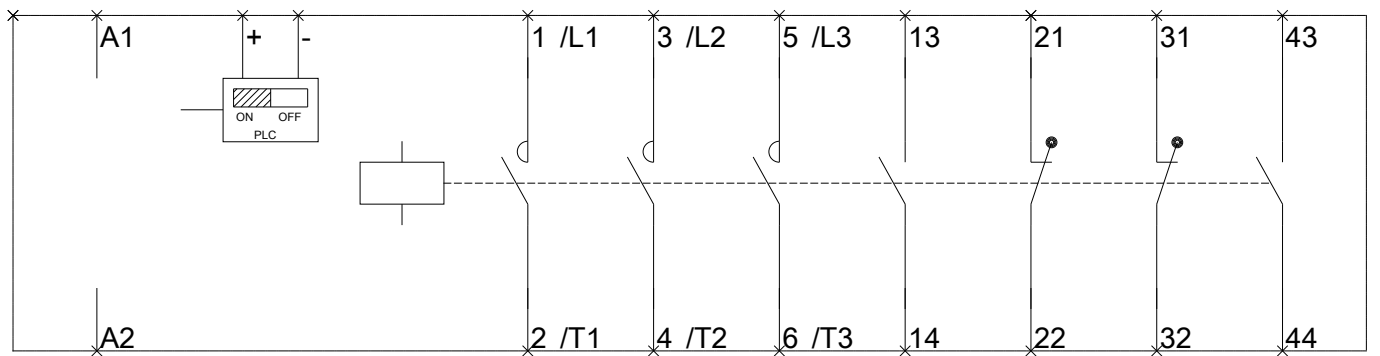
Service&Support (Manuals, Certificates, Characteristics, FAQs,...)

<https://support.industry.siemens.com/cs/ww/en/ps/3RT1476-6XB46-0LA2>

Image database (product images, 2D dimension drawings, 3D models, device circuit diagrams, EPLAN macros, ...)

http://www.automation.siemens.com/bilddb/cax_de.aspx?mlfb=3RT1476-6XB46-0LA2&lang=en





last modified:

10/13/2017