

SAFETY POS. SWITCH W. SEPARATE ACTUATOR, 5 DIRECT.OF APPROACH MOLDED-PLASTIC ENCLOSURE, 50 MM ASISAFE INTEGRATED AS-I STATUS:1:F-IN1 , 2:F-IN2 3:AS-I/FAULT SLOW-ACTION CONTACTS 1NC, W/ M12 CONNECTOR 4-POLE CHANNEL 1 ON NC,CHANNEL 2 ON NC

Product designation		position switch with separate actuator with ASIsafe
<b>Manufacturer article number</b>		
<ul style="list-style-type: none"> <li>of the optional actuators</li> </ul>		3SE5000-0AV01 standard actuator, 3SE5000-0AV02 actuator with vertical fixing, 3SE5000-0AV03 actuator with transverse fixing, 3SE5000-0AV04 radius actuator left, 3SE5000-0AV05 universal actuator, 3SE5000-0AV06 radius actuator right

General technical data:		
<b>Product function</b>		
<ul style="list-style-type: none"> <li>positive opening</li> </ul>		Yes
<b>Insulation voltage</b>		
<ul style="list-style-type: none"> <li>Rated value</li> </ul>	V	30
<b>Degree of pollution</b>		class 3
<b>Shock resistance</b>		30g / 11 ms
<b>Vibration resistance</b>		0.35 mm / 5g
<b>Surge voltage resistance Rated value</b>	kV	0.8
<b>Mechanical service life (switching cycles)</b>		
<ul style="list-style-type: none"> <li>typical</li> </ul>		1 000 000
<b>Material of the enclosure of the switch head</b>		plastic enclosure
<b>Protection class IP</b>		IP66/IP67
<b>Equipment marking</b>		
<ul style="list-style-type: none"> <li>acc. to DIN EN 61346-2</li> <li>acc. to DIN EN 81346-2</li> </ul>		B B
<b>Active principle</b>		mechanical
<b>Repeat accuracy</b>	mm	0.1
Minimum actuating force in activation direction	N	10

Enclosure:		
Design of the housing		block, wide
Material of the enclosure		plastic
Design of the housing acc. to standard		No

Drive Head:		
Design of the operating mechanism		5 directions of approach
Design of the switching function		positive opening

Connections/ Terminals:		
Type of electrical connection		M12 plug, fixed, 4-pole

Mechanical data:		
Design of plug-in connection		M12 plug, 4-pole: Pin 1 = ASI+ , Pin 2 = not assigned, Pin 3= ASI-, Pin 4 = not assigned

Ambient conditions:		
Ambient temperature		
<ul style="list-style-type: none"> <li>during operation</li> </ul>	°C	-25 ... +60
<ul style="list-style-type: none"> <li>during storage</li> </ul>	°C	-40 ... +80

Supply voltage:		
Type of voltage of the supply voltage		
<ul style="list-style-type: none"> <li>of the optional LED indicator</li> </ul>		DC
Supply voltage		
<ul style="list-style-type: none"> <li>of LED</li> </ul>	V	24

Installation/ mounting/ dimensions:		
mounting position		any
Mounting type		screw fixing

Certificates/ approvals:		
General Product Approval	Declaration of Conformity	Test Certificates



[Special Test Certificate](#)

EG-Konf.

### Further information

**Information- and Downloadcenter (Catalogs, Brochures,...)**

<http://www.siemens.com/industrial-controls/catalogs>

**Industry Mall (Online ordering system)**

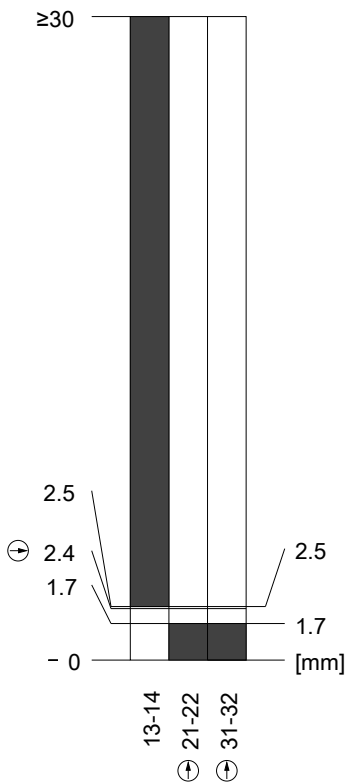
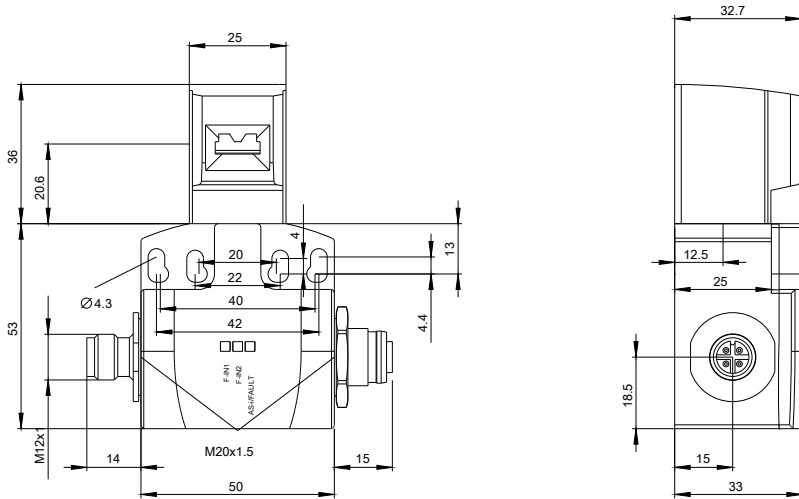
<http://www.siemens.com/industrymall>

**Cax online generator**

<http://support.automation.siemens.com/WW/CAXorder/default.aspx?lang=en&mlfb=3SF12441QV401BA2>

**Service&Support (Manuals, Certificates, Characteristics, FAQs,...)**

<http://support.automation.siemens.com/WW/view/en/3SF12441QV401BA2/all>



last modified:

09.03.2015