



DIGITAL MODULE; 4 INPUTS AND 2 RELAY OUTPUTS; INPUT VOLTAGE DC 24V; MONOSTABLE RELAY OUTPUTS; MAXIMUM 2 DIGITAL MODULES PER BASIC UNIT 2

product brand name	SIRIUS
Product designation	digital modules

General technical data:

Insulation voltage		
• Rated value	V	300
Vibration resistance		1-6 Hz / 15 mm; 6-500 Hz / 2 g
Surge voltage resistance Rated value	V	4 000
Protection class IP		IP20
Equipment marking		
• acc. to DIN EN 61346-2		K
• acc. to DIN EN 81346-2		K

Electromagnetic compatibility:

EMC emitted interference		
• acc. to IEC 60947-1		class A
EMI immunity acc. to IEC 60947-1		corresponds to degree of severity 3
Conducted interference due to burst acc. to IEC 61000-4-4		1 kV
Conducted interference due to conductor-earth surge acc. to IEC 61000-4-5		2 kV
Conducted interference due to conductor-conductor surge acc. to IEC 61000-4-5		1 kV
Field-bound parasitic coupling acc. to IEC 61000-4-3		10 V/m

Inputs/ Outputs:

Number of inputs		4
Number of digital inputs		4

Number of analog inputs		0
Number of outputs		2
Number of outputs as contact-affected switching element		2
Number of analog outputs		0
Number of semiconductor outputs		0

Installation/ mounting/ dimensions:

mounting position		any
Mounting type		screw and snap-on mounting
Height	mm	92
Width	mm	22.5
Depth	mm	124

Connections/ Terminals:

Type of electrical connection		
<ul style="list-style-type: none"> • for auxiliary and control current circuit 		screw-type terminals

Ambient conditions:

Installation altitude at height above sea level maximum	m	4 000
Ambient temperature		
<ul style="list-style-type: none"> • during operation 	°C	-25 ... +60
<ul style="list-style-type: none"> • during storage 	°C	-40 ... +80
<ul style="list-style-type: none"> • during transport 	°C	-40 ... +80
Relative humidity during operation	%	5 ... 95

Safety related data:

Protection against electrical shock		finger-safe
-------------------------------------	--	-------------

Control circuit/ Control:

Type of voltage of the control supply voltage		DC
Control supply voltage for DC		
<ul style="list-style-type: none"> • Rated value 	V	24 ... 24

Certificates/ approvals:

General Product Approval	EMC	For use in hazardous locations
--------------------------	-----	--------------------------------



For use in hazardous locations	Test Certificates	Shipping Approval
--------------------------------	-------------------	-------------------

[Explosion Protection Certificate](#)

[Type Test Certificates/Test Report](#)

[Special Test Certificate](#)



other

[Declaration of Conformity](#)

[Confirmation](#)

[PROFISafe-Certification](#)



Profibus

[PROFINET-Certification](#)

Further information

Information- and Downloadcenter (Catalogs, Brochures,...)

<http://www.siemens.com/industrial-controls/catalogs>

Industry Mall (Online ordering system)

<http://www.siemens.com/industrymall>

Cax online generator

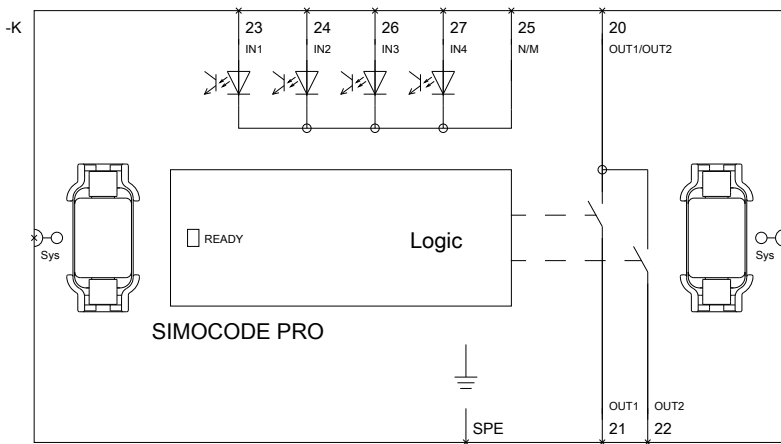
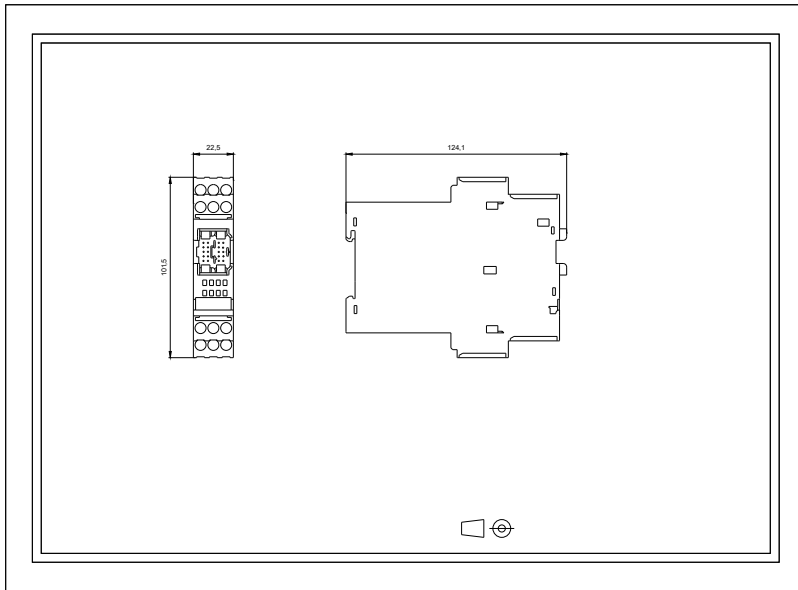
<http://support.automation.siemens.com/WW/CAXorder/default.aspx?lang=en&mfb=3UF73001AB000>

Service&Support (Manuals, Certificates, Characteristics, FAQs,...)

<http://support.automation.siemens.com/WW/view/en/3UF73001AB000/all>

Image database (product images, 2D dimension drawings, 3D models, device circuit diagrams, EPLAN macros, ...)

http://www.automation.siemens.com/bilddb/cax_de.aspx?mfb=3UF73001AB000&lang=en



last modified:

09.03.2015