



NEOZED-FLUSH MOUNTING FUSE BASE MOLDED PLASTIC, D01 1-POLE TOUCH PROTECTION (BGV A2) ACCESS: ELEVATOR TERMINAL OUTGOING: ELEVATOR TERMINAL 16A, AC 400V/DC 250V

Figure similar

Model		
product brand name		SENTRON
Product designation		Fuse systems
Design of the product		NEOZED fuse bases
General technical data		
Number of poles		1
Size of fuse system / acc. to DIN EN 60269-1		D01
Main circuit		
Operating voltage / Rated value	V	400
Operating current / Rated value	A	16
Product details		
Product component / Cover		Yes
Mechanical Design		
Height	mm	83
Depth	mm	64
Mounting type		DIN rail
Material / of D fuse base		others

General Product Approval	Declaration of Conformity	Test Certificates
--------------------------	---------------------------	-------------------



[Type Test Certificates/Test Report](#)

Further information

Information- and Downloadcenter (Catalogs, Brochures,...)

<http://www.siemens.com/lowvoltage/catalogs>

Industry Mall (Online ordering system)

<https://eb.automation.siemens.com/mall/en/WW/Catalog/Product/5SG1301>

Service&Support (Manuals, Certificates, Characteristics, FAQs,...)

<http://support.automation.siemens.com/WW/view/en/5SG1301/all>

Image database (product images, 2D dimension drawings, 3D models, device circuit diagrams, ...)

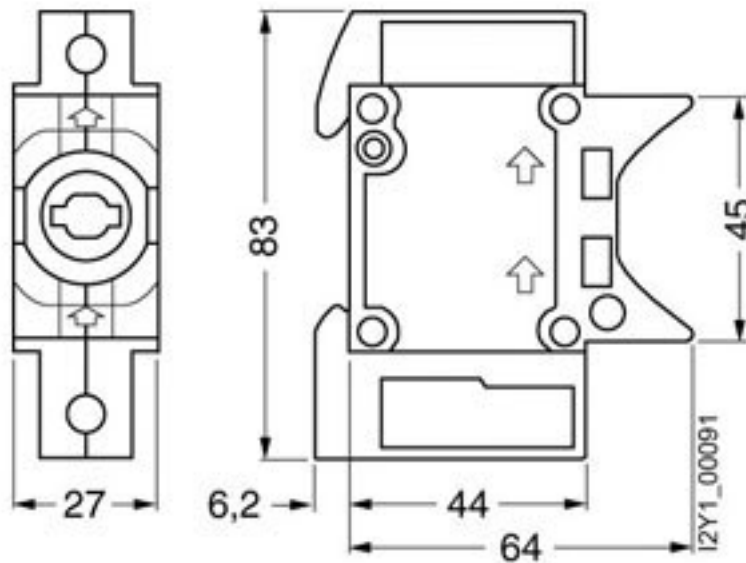
http://www.automation.siemens.com/bilddb/cax_en.aspx?mlfb=5SG1301

CAX-Online-Generator

<http://www.siemens.com/cax>

Tender specifications

<http://ausschreibungstexte.siemens.com/tiplv>





last modified:

11.03.2015