

Series AM1DR-Z

1 Watt | DC-DC Converter



FEATURES:

- RoHS compliant
- Regulated output voltage
- Low ripple and noise
- High efficiency up to 70%
- Operating temperature -40°C to + 85°C
- Input / Output Isolation 1000 & 3000VDC
- Pin compatible with multiple manufacturers
- 7 pin SIP package



Models

Single output

Model	Input Voltage (V)	Output Voltage (V)	Output Current max (mA)	Isolation (VDC)	Input Current Full Load No Load mA		Max Capacitive Load (uF)	Efficiency (Full load) (%)
AM1DR-0503SZ	4.5-5.5	3.3	300	1000	333	23	220	57
AM1DR-0505SZ	4.5-5.5	5	200	1000	294	23	220	67
AM1DR-0507SZ	4.5-5.5	7.2	138	1000	299	25	220	65
AM1DR-0509SZ	4.5-5.5	9	111	1000	282	30	220	67
AM1DR-0512SZ	4.5-5.5	12	84	1000	286	30	220	70
AM1DR-0515SZ	4.5-5.5	15	67	1000	282	35	220	70
AM1DR-1203SZ	10.8-13.2	3.3	300	1000	153	10	220	57
AM1DR-1205SZ	10.8-13.2	5	200	1000	128	16	220	65
AM1DR-1207SZ	10.8-13.2	7.2	138	1000	124	17	220	65
AM1DR-1209SZ	10.8-13.2	9	111	1000	124	18	220	67
AM1DR-1212SZ	10.8-13.2	12	84	1000	117	18	220	70
AM1DR-1215SZ	10.8-13.2	15	67	1000	121	21	220	70
AM1DR-2403SZ	21.6-26.4	3.3	300	1000	72	7	220	60
AM1DR-2405SZ	21.6-26.4	5	200	1000	61	6	220	68
AM1DR-2407SZ	21.6-26.4	7.2	138	1000	62	7	220	65
AM1DR-2409SZ	21.6-26.4	9	111	1000	58	7	220	68
AM1DR-2412SZ	21.6-26.4	12	84	1000	60	9	220	70
AM1DR-2415SZ	21.6-26.4	15	67	1000	59	9	220	70
AM1DR-0503SH30Z	4.5-5.5	3.3	300	3000	333	23	220	57
AM1DR-0505SH30Z	4.5-5.5	5	200	3000	294	23	220	67
AM1DR-0507SH30Z	4.5-5.5	7.2	138	3000	299	25	220	65
AM1DR-0509SH30Z	4.5-5.5	9	111	3000	282	30	220	67
AM1DR-0512SH30Z	4.5-5.5	12	84	3000	286	30	220	70
AM1DR-0515SH30Z	4.5-5.5	15	67	3000	282	35	220	70
AM1DR-1203SH30Z	10.8-13.2	3.3	300	3000	153	10	220	57
AM1DR-1205SH30Z	10.8-13.2	5	200	3000	128	16	220	65
AM1DR-1207SH30Z	10.8-13.2	7.2	138	3000	124	17	220	65
AM1DR-1209SH30Z	10.8-13.2	9	111	3000	124	18	220	67
AM1DR-1212SH30Z	10.8-13.2	12	84	3000	117	18	220	70
AM1DR-1215SH30Z	10.8-13.2	15	67	3000	121	21	220	70
AM1DR-2403SH30Z	21.6-26.4	3.3	300	3000	72	7	220	60
AM1DR-2405SH30Z	21.6-26.4	5	200	3000	61	6	220	65
AM1DR-2407SH30Z	21.6-26.4	7.2	138	3000	62	7	220	65
AM1DR-2409SH30Z	21.6-26.4	9	111	3000	58	7	220	68
AM1DR-2412SH30Z	21.6-26.4	12	84	3000	60	9	220	70
AM1DR-2415SH30Z	21.6-26.4	15	67	3000	59	9	220	70

Input Specifications

Parameters	Nominal	Typical	Maximum	Units
Voltage range	5	4.5-5.5		VDC
	12	10.8-13.2		
	24	21.6-26.4		
Filter	Capacitor			
Turn on Transient process time			100	ms
Start up time		200		ms

Input Specifications (continued)

Parameters	Nominal	Typical	Maximum	Units
Absolute Maximum Rating	5 Vin	0-7		VDC
	12 Vin	0-15		
	24 Vin	0-28		
Peak Input Voltage time		100		ms

Isolation Specifications

Parameters	Conditions	Typical	Rated	Units
Tested I/O voltage	60 sec		1000 & 3000	VDC
Resistance		> 1000		MOhm
Capacitance		60		pF

Output Specifications

Parameters	Conditions	Typical	Maximum	Units
Voltage accuracy		±2		%
Short Circuit protection		Momentary (1 sec)		
Line voltage regulation (Single)		±0.5		%
Load voltage regulation (Single)	0% to 100% load	±0.5		%
Load voltage regulation (Single) 3.3V output model	0% to 100% load	±1.0		%
Temperature coefficient		±0.02		%/°C
Ripple & Noise	At 20MHz Bandwidth	60		mV p-p
Capacitive load			220	µF
Rising time		50		ms

General Specifications

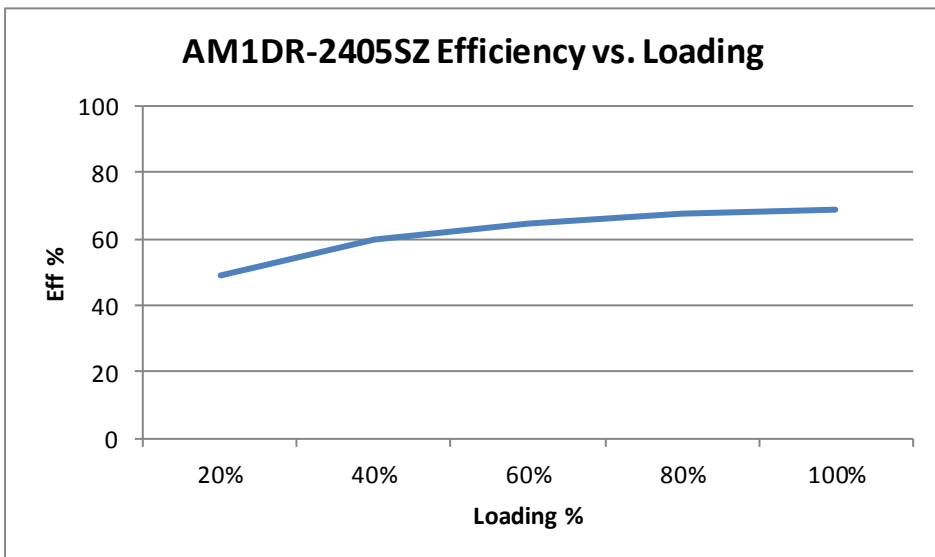
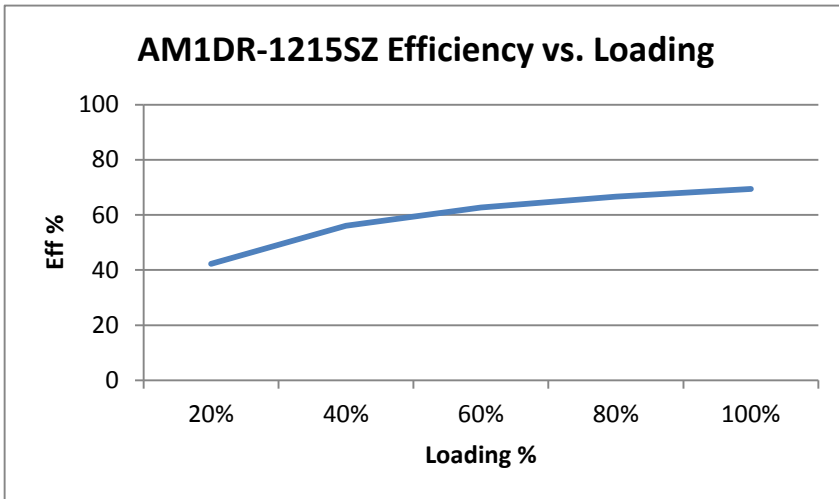
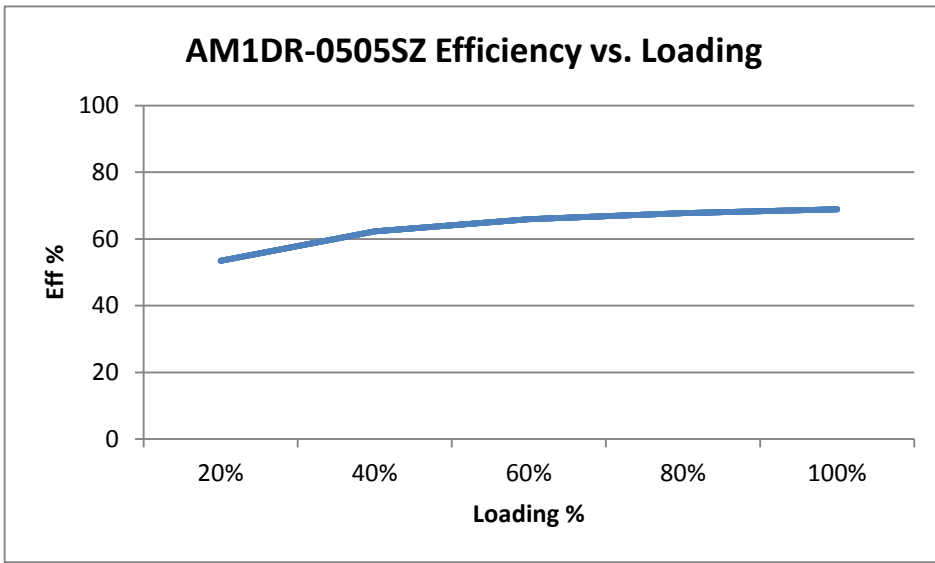
Parameters	Conditions	Typical	Maximum	Units
Switching frequency	100% load	125		KHz
Max Case temperature			+95	°C
Operating temperature	Full Load without Derating	-40 to +85		°C
Storage temperature		-55 to +125		°C
Derating		Not Required		
Cooling		Free air convection		
Humidity			95	%
Case material		Non conductive black plastic		
Weight		2.7		g
Dimensions (L x W x H)		0.76 x 0.28 x 0.37 inch	19.50 x 7.20 x 9.50 mm	
MTBF		>3 500 000 hrs (MIL-HDBK -217F, Ground Benign, t=+25°C)		

NOTE: All specifications in this datasheet are measured at an ambient temperature of 25°C, humidity<75%, nominal input voltage and at rated output load unless otherwise specified

Safety Specifications

Parameters	
Agency Approvals	CE
Safety Standards	EN 55022, Class B IEC61000-4-2 IEC61000-4-3 IEC61000-4-4 IEC61000-4-6 IEC61000-4-8

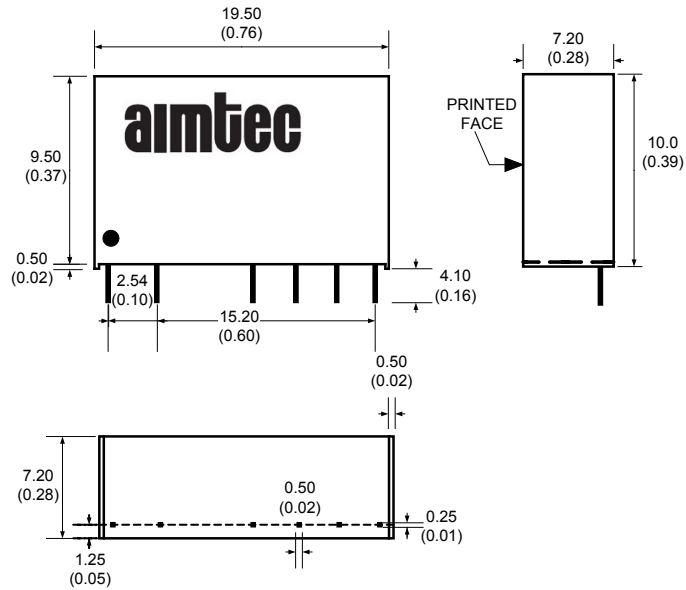
Typical Efficiency Example Charts



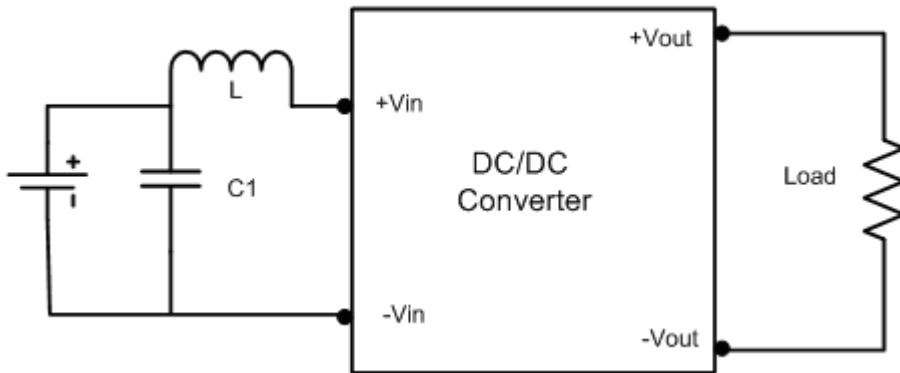
Pin Out Specifications

Pin	1000VDC	3000VDC
1	+ V Input	+ V Input
2	- V Input	- V Input
4	- V Output	No pin
5	No pin	- V Output
6	+ V Output	No pin
7	No pin	+ V Output

Dimensions



Radiated and Conducted Emissions Application circuit:



C1	L1
470 μ F/100V	12 μ H

NOTE: 1. Datasheets are updated as needed and as such, specifications are subject to change without notice. Once printed or downloaded, datasheets are no longer controlled by Aimtec; refer to www.aimtec.com for the most current product specifications. 2. Product labels shown, including safety agency certifications on labels, may vary based on the date manufactured. 3. Mechanical drawings and specifications are for reference only. 4. All specifications are measured at an ambient temperature of 25°C, humidity<75%, nominal input voltage and at rated output load unless otherwise specified. 5. Aimtec may not have conducted destructive testing or chemical analysis on all internal components and chemicals at the time of publishing this document. CAS numbers and other limited information are considered proprietary and may not be available for release. 6. This product is not designed for use in critical life support systems, equipment used in hazardous environments, nuclear control systems or other such applications which necessitate specific safety and regulatory standards other the ones listed in this datasheet. 7. Warranty is in accordance with Aimtec's standard Terms of Sale available at www.aimtec.com.