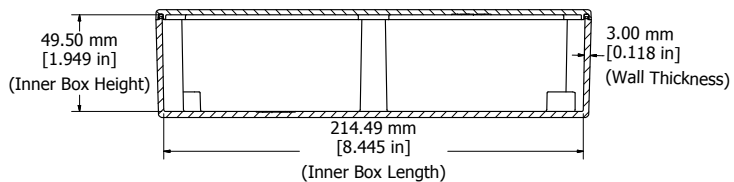
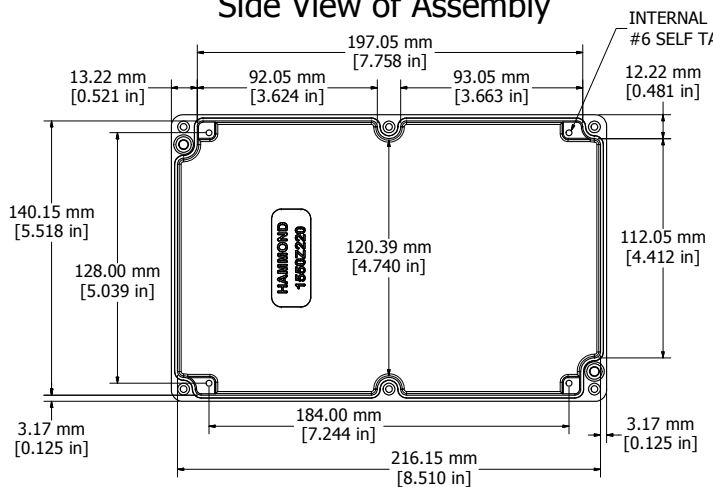
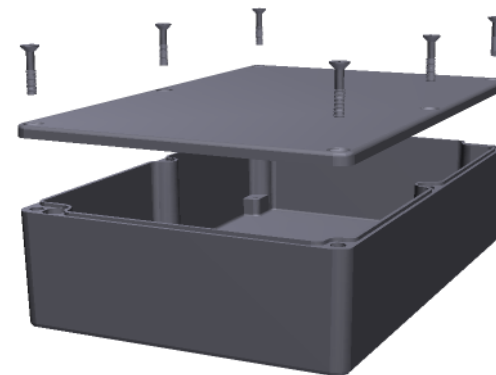
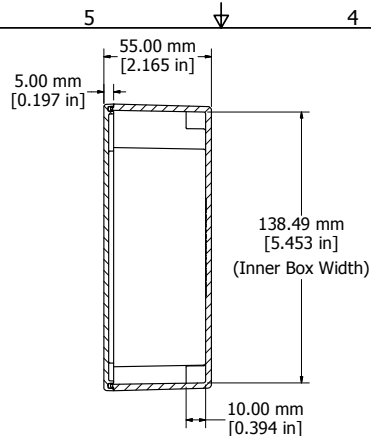


ASSEMBLY



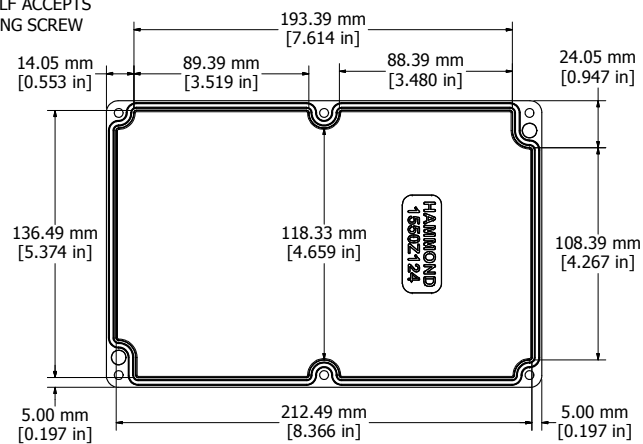
SECTION B-B  
Side View of Assembly

SECTION A-A  
End View of Assembly



Top View Looking Inside Box

INTERNAL SHELF ACCEPTS  
#6 SELF TAPPING SCREW



View Looking Inside Lid

UL US LISTED  
File #E71073  
NEMA 4, 4X

Enclosures can be Factory Modified ( Milling, Drilling, Printing etc. )  
Contact Factory [mjm@hammondmfg.com](mailto:mjm@hammondmfg.com) for quotes  
Solid models of this enclosure available in STEP or IGES.

NOTES

- Purchased assembly includes enclosure, M4x20 lid screws and Pre-formed Silicone Gasket
- Cover screws should be torqued to 5-7.5 lbf.in (50-75 cN.m)

1550Z124	
PART NUMBERS	
Natural Finish Enclosure	1550Z124
Black Textured Enclosure	1550Z124BK



1550Z124

[www.hammondmfg.com](http://www.hammondmfg.com)