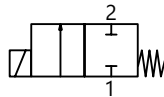


2/2 weg - 62 serie ProValve

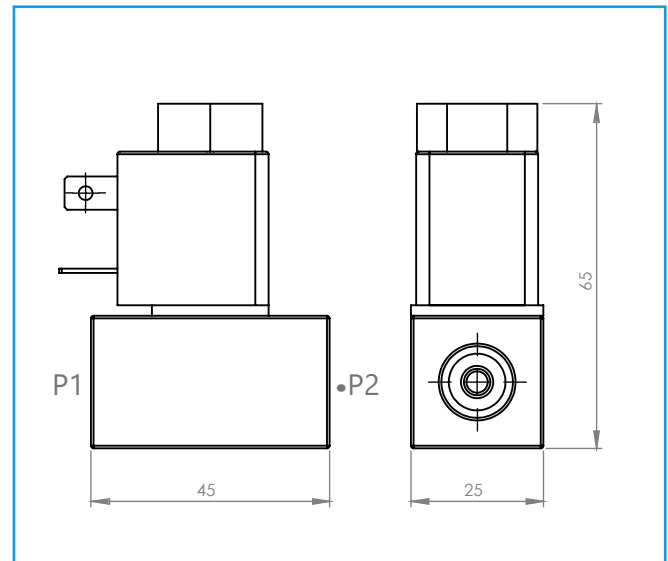


This solenoid valve is an direct acting type. The valves are made in two different series. 2/2 way and the 3/2 way. The 2/2 way is possible in NC / NO / BI and you can choose between three different voltages (coils). Standard seals are NBR. Optional body from Stainless Steel, Aluminium or PA.



Specifications

Operating Range	-1 / 0 ~10 bar
Temp. medium ambient	25° C 25 ° C max.
Voltage	24Vdc 4.8W
	24Vac 7,1VA
	230Vac 7.9VA
Function	Normally closed (NC)
Orifice	1.2 mm
Media	Compressed air, neutral clear water and gaseous



Code (without coil)	Connection	Body	Seal	Pilot
621.18.04132	G1/8" (BSP)	POM	NBR	RVS*
621.06.04132	6 mm push-in	POM	NBR	RVS*
621.18.04131	G1/8" (BSP)	POM	NBR	MS
621.06.04131	6 mm push-in	POM	NBR	MS

* = RVS pilot only in combination with a DC coil

Coils



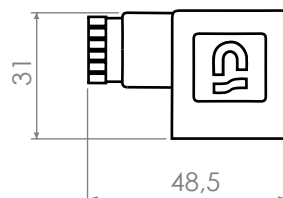
24Vac | 7,1VA



24Vdc | 4.8W



230Vac | 7.9VA



Connectors
B-12143-0107
B-12443-0127
B-12443-0126