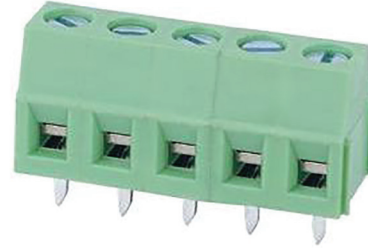


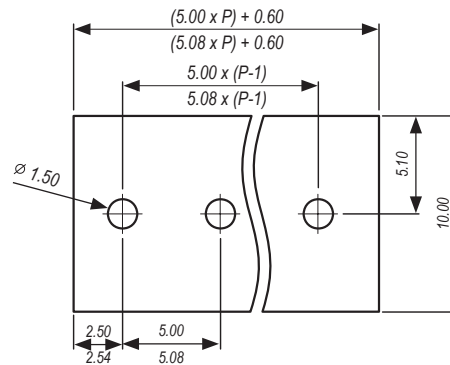
Terminal Block Rising Clamp Vertical 20.350M/xx-E (21.350M/xx-E)

- 300V 15A UL
- UL94-V0
- PA66
- 5.00mm (5.08mm) Pin Pitch
- RoHS Compliant
- xx = Number of Poles (available from 2~24 poles)

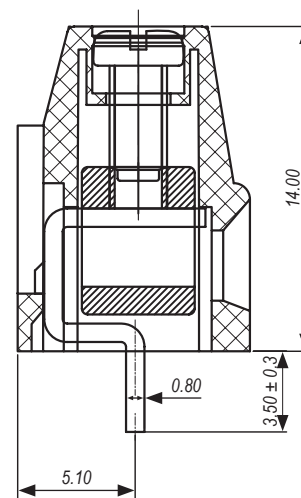
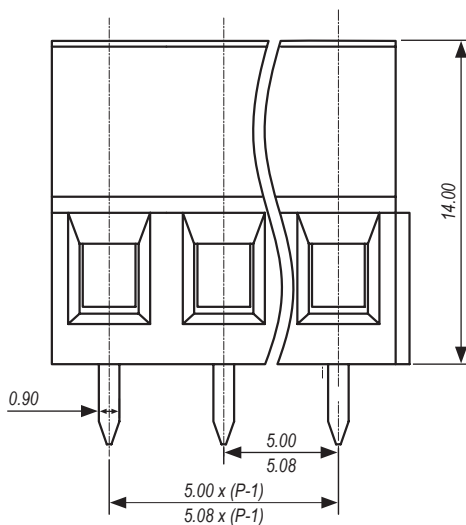


Technical Data

Pitch	5.00mm (5.08mm)
UL Rating	300V 15Amps
IEC Rating	250V 18Amps
Solder Pin	Brass, Tin Plated
Wire Range	30-14AWG (2.5mm ²)
PCB Hole Diameter	1.5mm
Screw	M2.5 Steel (Zinc Plate)
Screw Torque	0.4Nm
Insulation Voltage	AC2000V / 1 Min
Initial Contact Resistance	20mΩ
Insulation Resistance	500MΩ / DC500V
Temperature Range	-40 to +105°C
Max Soldering	n/a



PCB Layout



Dimensions shown in mm P = No of Poles

Supplied in green as standard
Other colour options and printing may be available depending upon quantity
Please contact IMO for further information