

# MCPA Series

## Sub-Miniature Pushbutton Switches

**multicomp** PRO

### Specification:

#### Max. Current/Voltage Rating With Resistive Load:

MCPAS6 400mA 32V AC-100mA 50V DC-125mA 125V AC  
500mA 48V AC - 200 mA 50V DC - 200mA 250V AC

Initial Contact Resistance : 50mΩ Max.  
Insulation Resistance : 1GΩ Min. at 500V DC  
Operating Temperature : -30°C to +85°C  
Dielectric Strength : 1,000 V AC rms  
: 1,500 V AC rms. for metal material

#### Electrical Life at Full Load:

MCPAS6 : 500,000 cycles

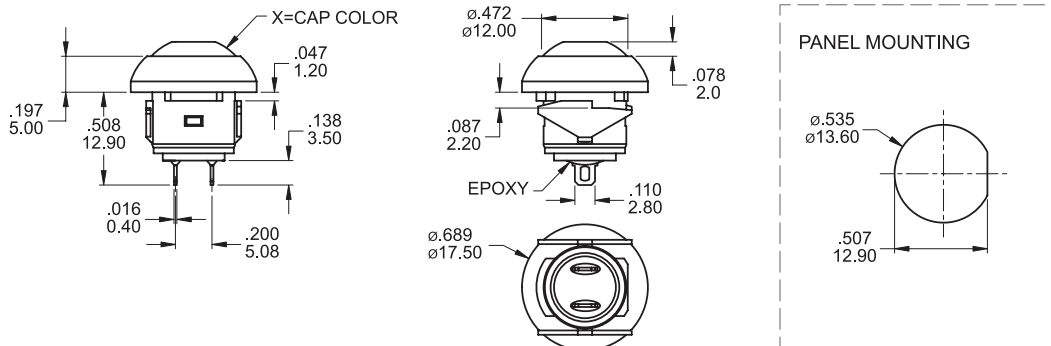
#### Panel Thickness:

MCPAS6-B1 series : 0.8 mm (.031) Min. -1.8 mm (.071) Max  
MCPAS6-B2 series : 1.5 mm (.059) Min. -4 mm (.157) Max

#### Total Travel:

MCPAS6 : 1.5mm (0.59)  
Operating Force : 2N to 5N  
Contact Bounce : 10ms  
Mechanical Life : 1,000,000 Cycles  
Torque : 0.5Nm Max. applied to nut, 1.5Nm Max. For Metal Material  
Soldering : 350°C Max. for 5 seconds

### MCPAS6-B1-M1CES



SPST

Dimensions : Inches (Millimetres)

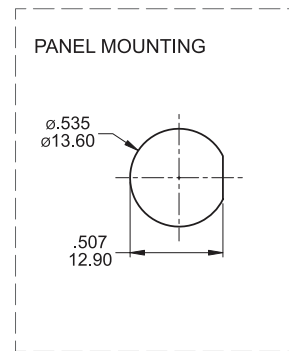
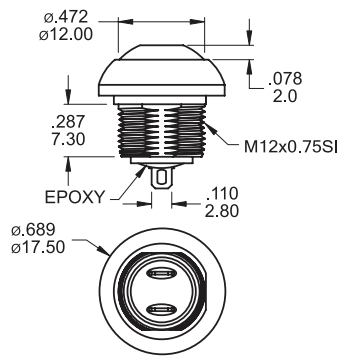
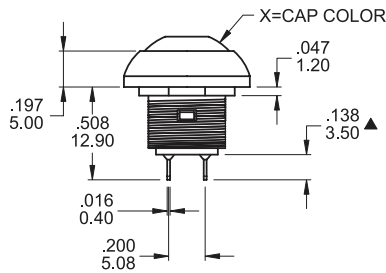
Newark.com/multicomp-pro  
Farnell.com/multicomp-pro  
Element14.com/multicomp-pro

**multicomp** PRO

# MCPA Series Sub-Miniature Pushbutton Switches



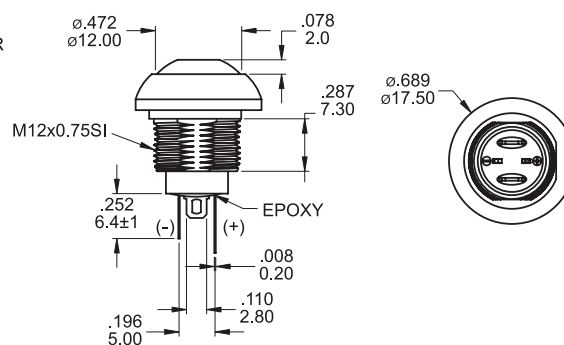
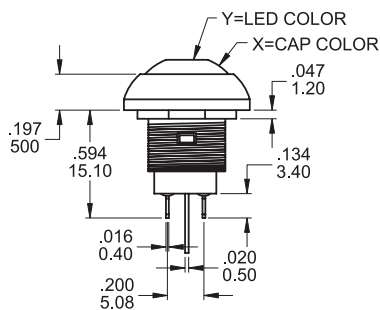
## MCPAS6-B2-M1CES



SPST

Dimensions : Inches (Millimetres)

## MCPAS6-B2-M1CES



SPST

Dimensions : Inches (Millimetres)

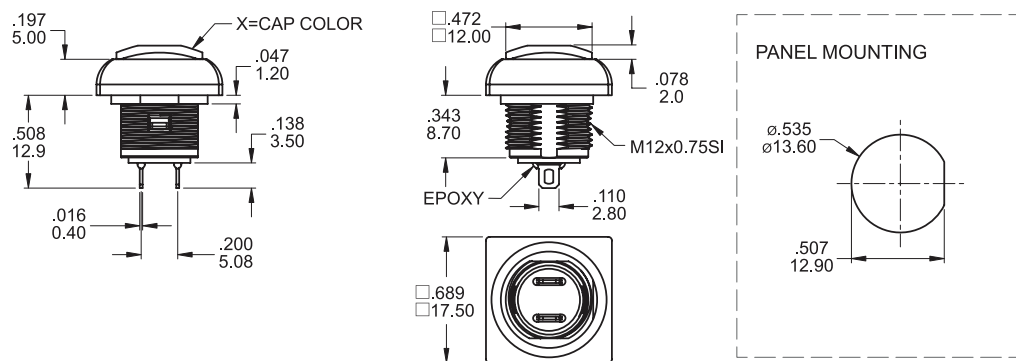
Newark.com/multicomp-pro  
Farnell.com/multicomp-pro  
Element14.com/multicomp-pro



# MCPA Series Sub-Miniature Pushbutton Switches



## MCPAS6-D1-M1CES



SPST

Dimensions : Inches (Millimetres)

### Switch Function

No. Poles	Model No.	Switch Function		Connected terminals		Schematic
		Pos.1	Pos.2	Pos.1	Pos.2	
SP	MCPAS6					
		Off	MOM	Open	1-3	

MOM=MOMENTARY

### Soldering Processes:

Manual Soldering

: Use soldering iron of 30 watts, controlled at 350°C approximately 5 seconds while applying solder.

Wave Soldering:

Recommended Soldering Temperature

: 260 ± 5°C

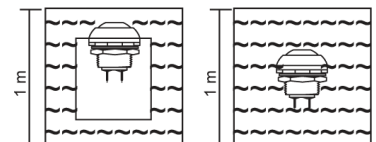
Duration of Solder Immersion

: Max 5 sec.

(PCB is 1.6mm in thickness)

IP 67 for the whole series:

Protected against the effects of immersion up to 1m water (30mm)



Newark.com/multicomp-pro  
Farnell.com/multicomp-pro  
Element14.com/multicomp-pro

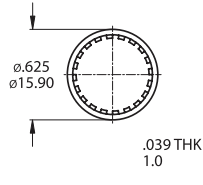
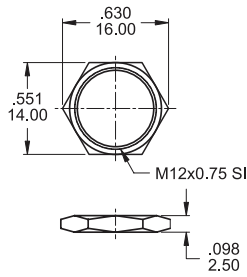


# MCPA Series

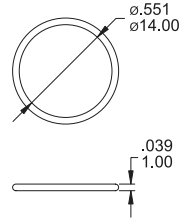
## Sub-Miniature Pushbutton Switches



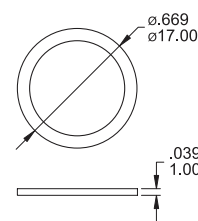
### Hardware:



Supplied with B2 / D1 bushing



Supplied with PAL6 and D1 options



Supplied standard with B1 / B2 options

Dimensions : Inches (Millimetres)

### With LED Electro-Optical Data:

Model No.	Lens Appearance	Colour	Electro-optical Data (at 20mA)				Peak Wavelength	Viewing Angle 2/ 1/2 (deg)	
			Vf (V)		Iv (mcd)				
			Typ.	Max.	Typ.	Min.			
MCPAS6	Water Clear	Super White	2.8	3.3	200	100	X / Y=0.27	35°	
		Super Red	2	2.5	700	200	645		
		Yellow	2.1	2.6	100	55	589		
		Green	2.2	2.7	130	70	565		
		Super Blue	3.1	3.6	580	250	460		
		Super Yellow ( Super Green )	Y	2	2.6	475	210		590
			G	2	2.6	210	140		570
		Super Yellow ( Super Blue )	Y	2.1	2.6	200	94		590
			B	3.2	3.6	200	94		460
		Super Yellow ( Super Red )	Y	2.1	2.6	100	63		590
			R	2	2.6	90	42		630
		Super Red ( Super Green )	R	2	2.6	90	42		630
			G	2	2.6	90	42		570
		Super Red ( Super Blue )	R	2	2.6	90	42		630
			B	3.2	3.6	200	94		460
Super Green ( Super Blue )	G	2	2.6	100	42	570			
	B	3.2	3.6	200	94	460			

Newark.com/multicomp-pro  
 Farnell.com/multicomp-pro  
 Element14.com/multicomp-pro



# MCPA Series

## Sub-Miniature Pushbutton Switches



### Part Number Table

Description	Part Number
Switch, Round, Illum, Red	MCPAS6-B1-M1CES2-5L3
Switch, Round, Illum Dot, Yellow	MCPAS6-B1-M1CES2-5L5
Switch, Round, Illum Dot, Green	MCPAS6-B1-M1CES2-5L6
Switch, Round, Illum Dot, Blue	MCPAS6-B1-M1CES2-5L7
Switch, Round, Illum Dot, Red	MCPAS6-B2-M1CES2-5L3
Switch, Round, Illum Dot, Yellow	MCPAS6-B2-M1CES2-5L5
Switch, Round, Illum Dot, Green	MCPAS6-B2-M1CES2-5L6
Switch, Round, Illum Dot, Blue	MCPAS6-B2-M1CES2-5L7
Switch, Square, White	MCPAS6-D1-M1CES1-5
Switch, Square, Black	MCPAS6-D1-M1CES2-5
Switch, Square, Red	MCPAS6-D1-M1CES3-5
Switch, Square, Yellow	MCPAS6-D1-M1CES5-5
Switch, Square, Green	MCPAS6-D1-M1CES6-5
Switch, Square, Blue	MCPAS6-D1-M1CES7-5

**Important Notice :** This data sheet and its contents (the "Information") belong to the members of the AVNET group of companies (the "Group") or are licensed to it. No licence is granted for the use of it other than for information purposes in connection with the products to which it relates. No licence of any intellectual property rights is granted. The Information is subject to change without notice and replaces all data sheets previously supplied. The Information supplied is believed to be accurate but the Group assumes no responsibility for its accuracy or completeness, any error in or omission from it or for any use made of it. Users of this data sheet should check for themselves the Information and the suitability of the products for their purpose and not make any assumptions based on information included or omitted. Liability for loss or damage resulting from any reliance on the Information or use of it (including liability resulting from negligence or where the Group was aware of the possibility of such loss or damage arising) is excluded. This will not operate to limit or restrict the Group's liability for death or personal injury resulting from its negligence. Multicomp Pro is the registered trademark of Premier Farnell Limited 2019.

Newark.com/multicomp-pro  
Farnell.com/multicomp-pro  
Element14.com/multicomp-pro

