

EUROPEAN 2-PIN PLUG-IN POWER SUPPLY 5VDC 5WATT

STONTRONICS: SW4474-C



Features:

- European Fixed AC Head
- 1 Year Warranty
- Level VI Efficiency
- CE Approved

Description:

The Stontronics Range of Class II 5 Watt AC/DC European plug-in power supplies provide 5 Watts of continuous power in a compact fixed wall plug enclosure suitable for use in many general power applications.

Specification	
Part Number	SW4474-C
Input Voltage Range	90-264Vac
Input Frequency Range	50/60Hz \pm 3Hz
Input Current Rated	0.18A Max.
Output Voltage Rating	+5 V
Output Current Range	1.0A
Output Min Current	0.01A
Output Connection Type	Micro USB 5PIN
Rating output power	5W
Line and Load Regulation	+7/-5%
Ripple & Noise	150mVp-p
Efficiency	73.62% Min.
Short-Circuit Protection	The adapter shall not be damaged by short the DC output to Ground. The adapter shall resume normal operation when a short circuited fault condition is removed.
Over Current Protection	The output shall be protected against the over current conditions.
Operating Temperature	0°C to +50°C
Storage Temperature	-20°C to +80°C
Operating Humidity	10% to 90%
Storage Humidity	10% to 90%
Hi-Pot	3000Vac 5mA 1min
Leakage Current	0.25mA max
Safety Standard	TUV, CE
EMC Standard	FCC part 15: Class B EN55022, Class B EN 55024 EN 61000-4-2 EN 61000-4-3 EN 61000-4-4 EN 61000-4-5
MTBF	50K Hours
Size mm max.	55.1 (L) x 24.1 (W) x 35.49(H)
Weight	70g
Regulator Type	Switched Mode Power Supply

General Note

TT Electronics reserves the right to make changes in product specification without notice or liability. All information is subject to TT Electronics' own data and is considered accurate at time of going to print.

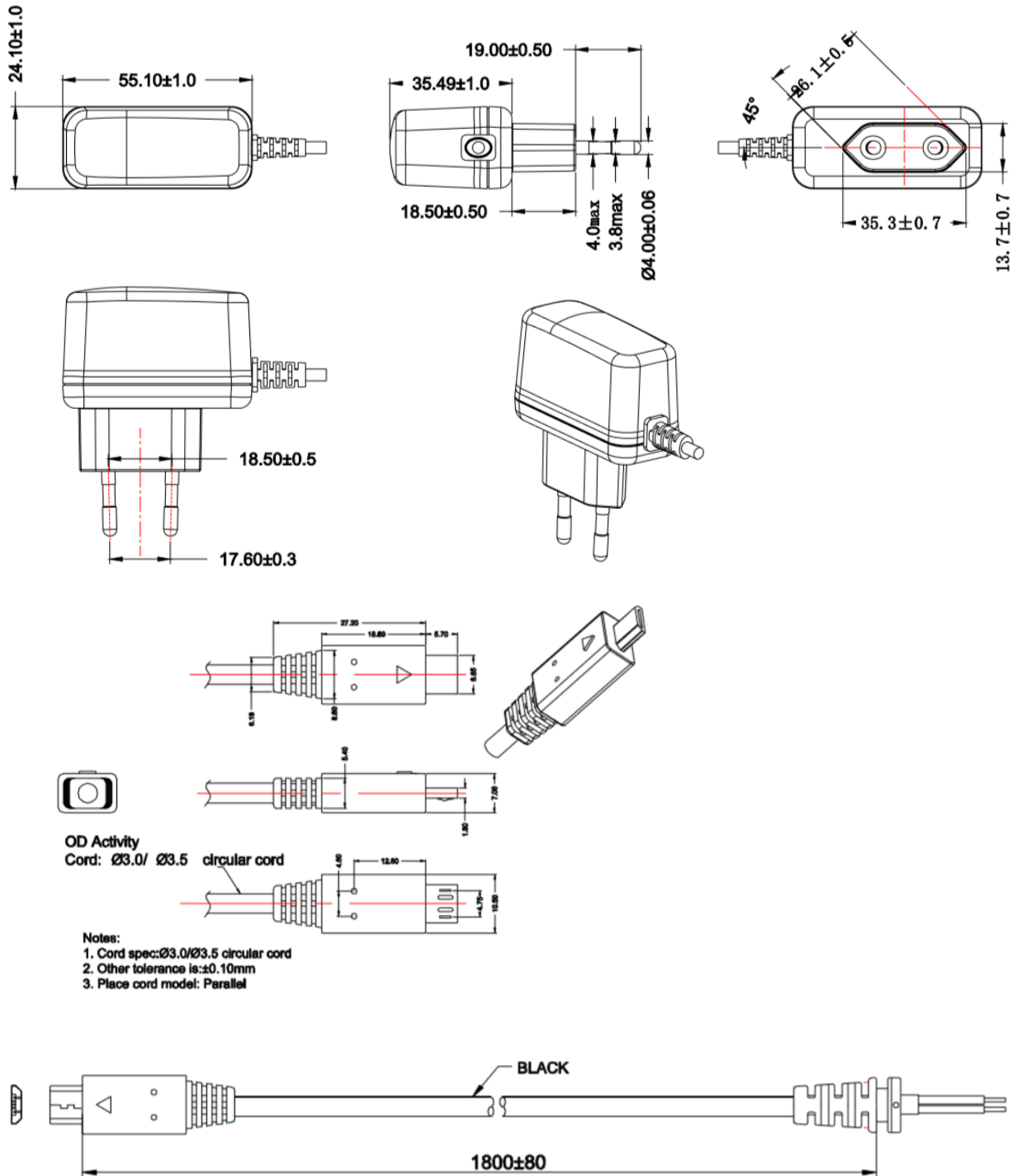
STONTRONICS

TT Electronics IoT Solutions Ltd
Tofts Farm East, Brenda Road, Hartlepool, TS25 2BQ, UK
t: +44 (0) 1429 852 500

EUROPEAN 2-PIN PLUG-IN POWER SUPPLY 5VDC 5WATT STONTRONICS: SW4474-C



Diagrams



General Note
TT Electronics reserves the right to make changes in product specification without notice or liability. All information is subject to TT Electronics' own data and is considered accurate at time of going to print.

STONTRONICS

TT Electronics IoT Solutions Ltd
Tofts Farm East, Brenda Road, Hartlepool, TS25 2BQ, UK
t: +44 (0) 1429 852 500