

Customer Information Sheet

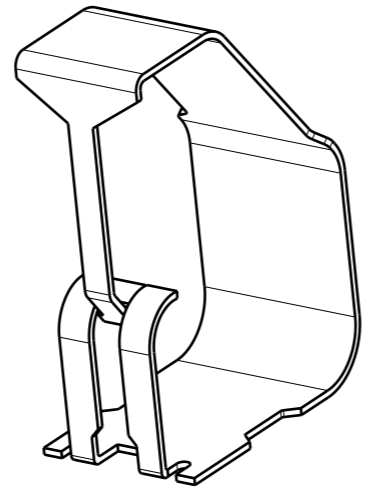
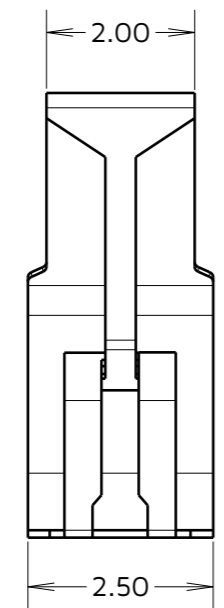
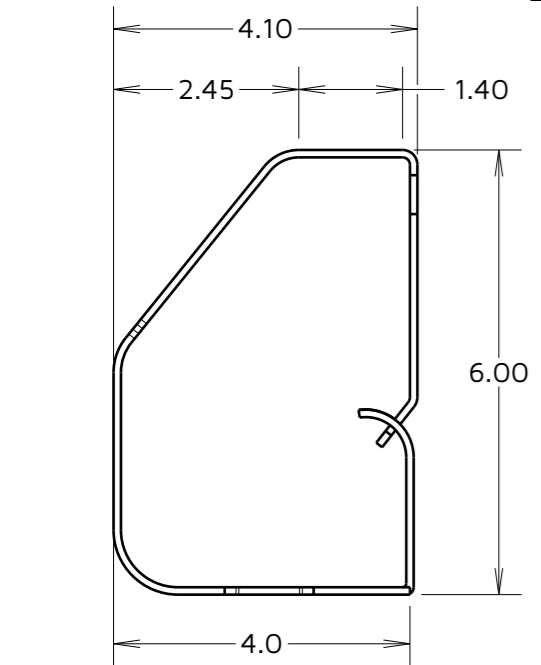
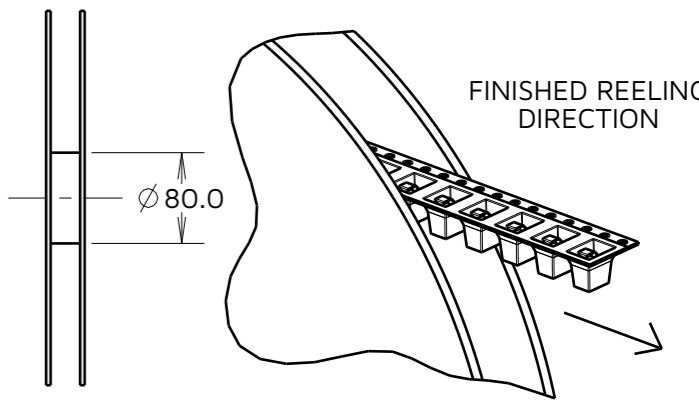
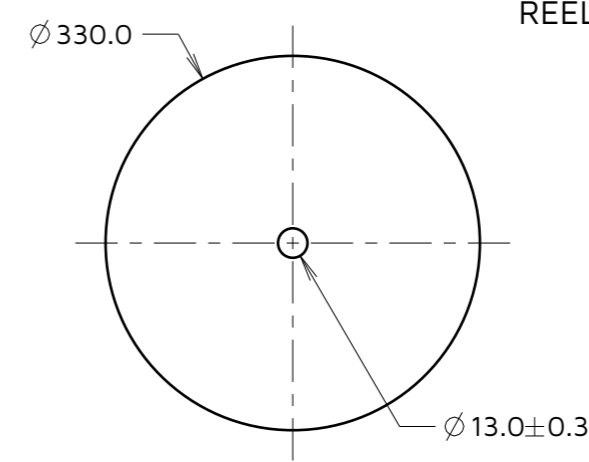
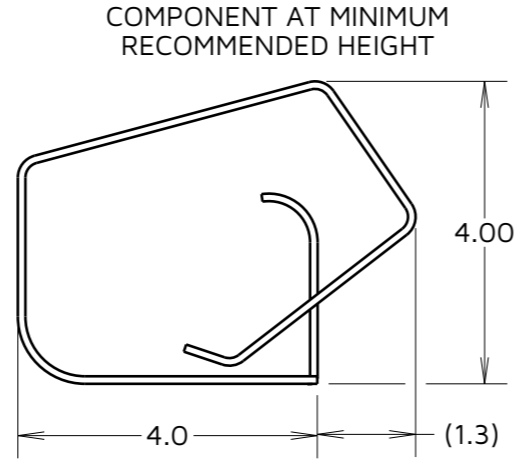
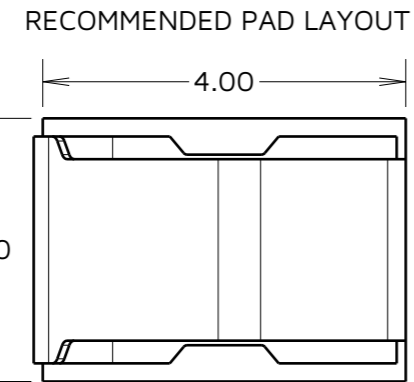
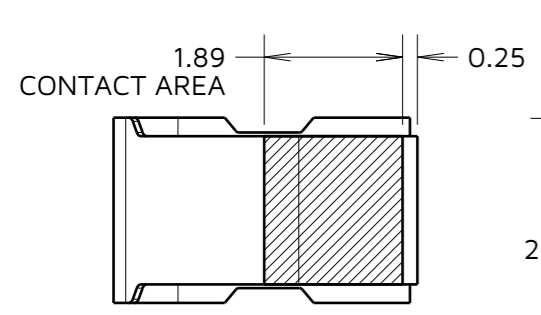
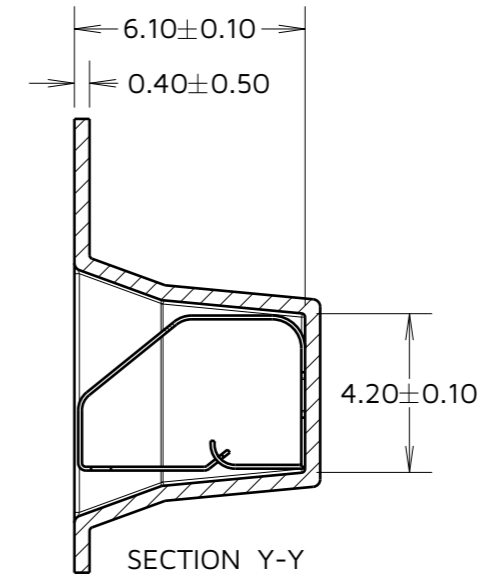
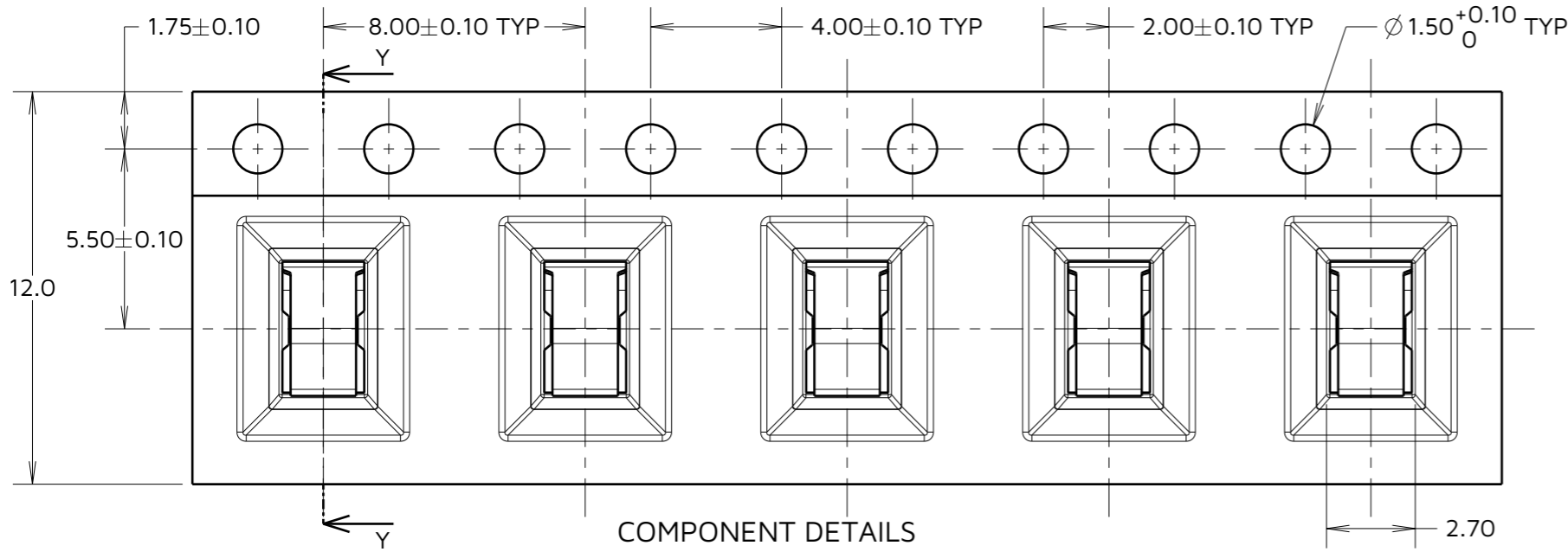
IF IN DOUBT - ASK

©

NOT TO SCALE

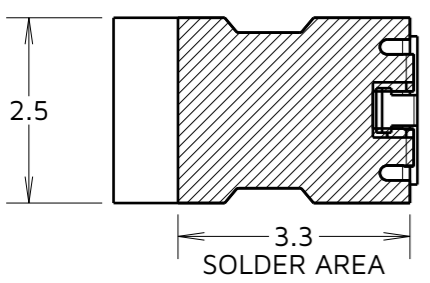
THIRD ANGLE PROJECTION

ALL DIMENSIONS IN mm



COMPONENT SPECIFICATION
MATERIAL:
 TITANIUM COPPER ALLOY, 0.10mm THICK
FINISH:
 0.7µm - 1.3µm NICKEL
 GOLD FLASH ON CONTACT
 2.54µm MIN 100% MATTE TIN ON FOOT AREA.
RECOMMENDED WORKING HEIGHT:
 4.50mm / MIN FORCE = 1.2N
RECOMMENDED MINIMUM WORKING HEIGHT:
 4.00mm
ELECTRICAL:
 CURRENT = 4A
MECHANICAL:
 DURABILITY = 2500 CYCLES
ENVIRONMENTAL:
 OPERATING TEMPERATURE = -55°C TO +125°C

NOTES:
 1. QUANTITY PER REEL = 1400.
 2. UNLESS OTHERWISE STATED. ALL TOLERANCES ARE:
 X.X = ±0.30mm
 X.XX = ±0.15mm



AY	9	30.04.24	33998
NAME	ISS.	DATE	CN/CO
APPROVED:		A.YEOMANS	
CHECKED:		R.PORTLOCK	
DRAWN:		R.ADDE	
ASSEMBLY DRG:			

HARWIN

www.harwin.com

TOLERANCES
 X. = ±1mm
 X.X = ±0.50mm
 X.XX = ±0.20mm
 X.XXX = ±0.01mm
 ANGLES = ±5°
 UNLESS STATED

THIS DRAWING AND ANY INFORMATION OR DESCRIPTIVE MATTER SET OUT HEREON ARE CONFIDENTIAL AND COPYRIGHT PROPERTY OF THE HARWIN GROUP AND MUST NOT BE DISCLOSED, LOANED, COPIED OR USED FOR MANUFACTURING, TENDERING OR FOR ANY OTHER PURPOSE WITHOUT THEIR WRITTEN PERMISSION.

MATERIAL:
 SEE ABOVE

TITLE:
 SMT SHIELD FINGER (6mm)
 IN TAPE AND REEL
DRAWING NUMBER:
 S7051-42R
 SHT 2 OF 2