

# Amphenol

Connector Accessories

AC ACC11 0717



---

# Amphenol



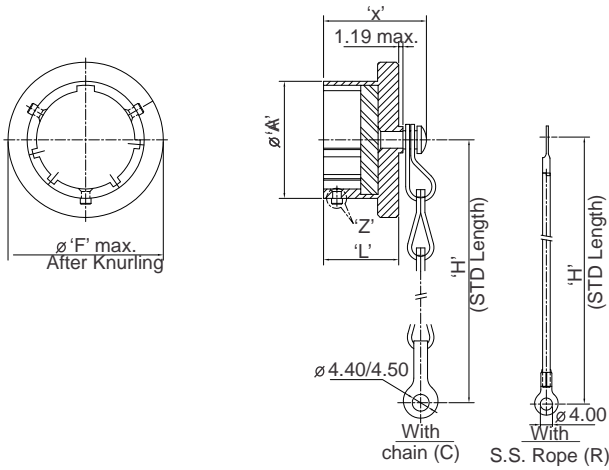
# Introduction

Amphenol India is a leading Designer, Manufacturer and Marketer of Interconnection solutions since 1971. Amphenol is the first Company in India who started manufacturing high performance connectors. These expertise and capabilities enables us to turn your interconnection problems to solutions.

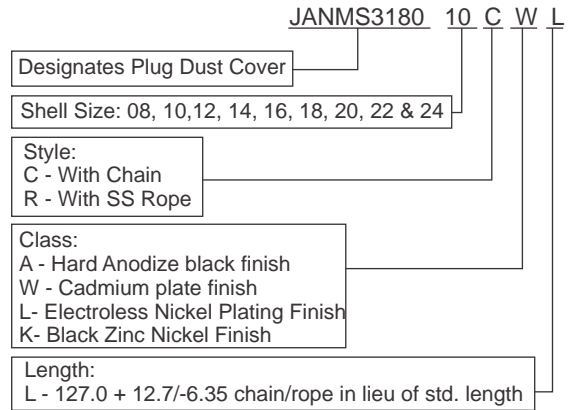
Amphenol Protective caps are developed for environmental protection needs of Circular connectors in Threaded & Bayonet versions. These are designed to meet the requirements of military standards.

We also offer dummy storage receptacle to secure your cable harness when not in functional use. This catalogue describes the standard and special purpose designs used in Military and Industrial Circular connectors.

	Page
MIL-C-26482 (MS3180 & MS181) Caps -----	1-2
MIL-DTL-38999 Series I (MS27501 & MS27502) Caps -----	3-4
MIL-DTL-38999 Series II (MS27510 & MS27511) Caps -----	5-6
MIL-DTL-38999 Series III (D38999/32 & D38999/33) Caps -----	7-8
MIL-DTL-5015 Reverse Bayonet Caps (97B-25042 & 97B-25043) Caps -----	9
Panel Nut 38999 Series III & IV -----	10
Panel Nut 26482-----	11
MIL DTL 5015 Threaded Dust Caps - QPL-----	12
MIL-5015 Proprietary Part Number -----	13
MIL-C-10544 Audio Connector Caps For 10 PIN Caps -----	14-15
MIL-DTL-C-22992 Caps -----	16
MIL-C-26482 & MIL-DTL-5015 Dummy Receptacle -----	17-19
MIL-DTL-38999 Series III Dummy Receptacle -----	20
Insertion & Removal Tool -----	21
Backshell for MIL-DTL-24308 -----	22
Square Flange Gaskets for (MIL-C-26482 & MIL-DTL-5015)-----	23



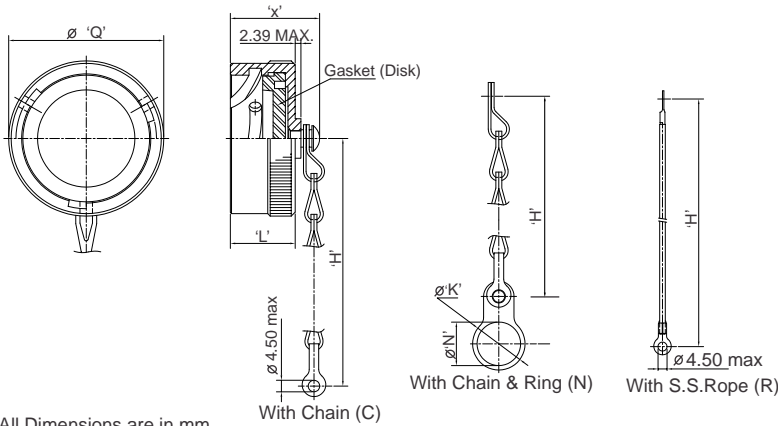
## Ordering Information (MIL Part Number)



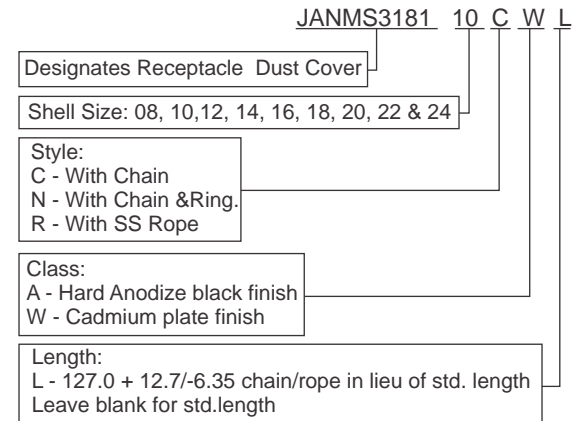
Note: For non. std. long "L" Contact factory

All Dimensions are in mm

Shell Size	ø A Ref.	ø F Max. Overall.	H +12.70/-6.35	L Max. Length	X Max. Overall	ø F +0.00/-0.08 For Heavy Duty
08	12.01	18.26	76.20	14.27	19.84	22.10
10	14.99	21.44				24.86
12	19.05	25.40				29.24
14	22.22	28.58				32.41
16	25.40	31.75	101.60	15.88	21.44	35.58
18	28.58	34.92				38.22
20	31.75	38.10				41.94
22	34.92	41.28				45.11
24	38.10	44.45	16.71	22.22		48.18



## Ordering Information (MIL Part Number)



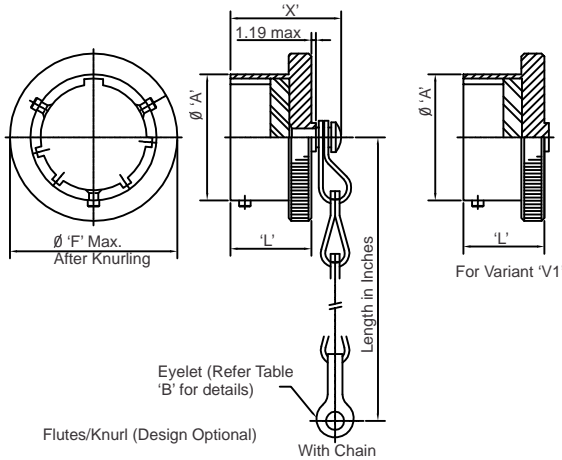
Note: For non. std. long "L" Contact factory

All Dimensions are in mm

Shell Size	H +12.70/-6.35	ø K MAX.	L Max.	ø N MIN	ø Q MIN	X Max.
08	76.20	20.62	14.27	14.68	18.64	21.44
10		25.40		17.86	21.82	
12	88.90	30.18		22.63	25.40	
14		36.67		25.81	28.58	
16		39.67		28.98	31.75	
18		42.88		32.16	34.92	
20		46.02		35.33	38.10	
22	101.60	49.23	15.29	38.51	41.28	
24		52.37		41.68	44.45	22.22

All Dimensions for reference only

## Metal Dust Cap Assembly For MIL 26482 Plug (08 to 24 Size)



All Dimensions are in MM

Shell Size	Ø A REF.	Max. Overall	L. Max. Length	X Max. Overall	Ø For H/D, D/CAP +0.00/-0.08
08	12.01	18.26	14.27	19.84	22.10
10	14.99	21.44			24.86
12	19.05	25.40			29.24
14	22.22	28.58			32.41
16	25.40	31.75			35.58
18	28.58	34.92	15.88	21.44	38.22
20	31.75	38.10			41.94
22	34.92	41.28			45.11
24	38.10	44.45			48.18

Table B

Dash No.	INNER DIA ±0.30
00	NO EYELET
01	3.60
02	4.60
03	4.90
04	5.00
05	4.20
06	3.20
07	5.50
09	4.00

Table C

DASH NO.	Ø 'X' ±0.40
50	10.80
52	12.30
54	16.30
56	19.10
58	22.60
60	25.80
62	27.80
64	28.70
66	31.80
68	34.30
70	35.30
72	37.70
74	41.30
76	44.50
78	47.60
80	50.30
82	52.30
84	56.80
86	58.70
88	62.90
90	67.40
92	71.40
94	77.30

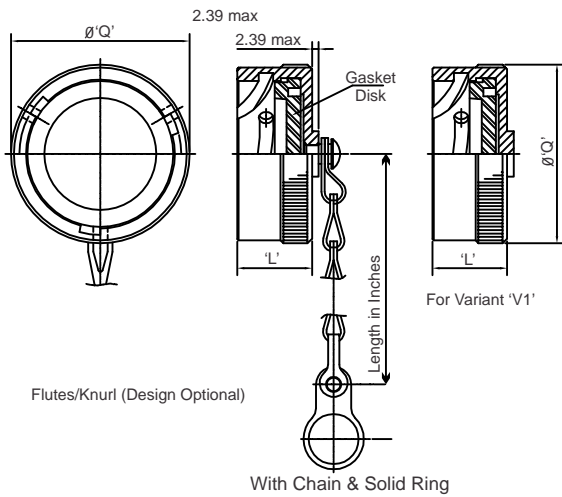
Table D

DASH NO.	Ø 'Y' ±0.40
08	11.90
10	15.10
12	18.20
13	19.40
14	21.40
15	22.60
16	24.60
17	25.80
18	27.80
19	29.00
20	30.60
21	32.10
22	34.10
23	36.90
24	37.70
25	40.10
27	41.70
28	42.80
29	44.80
30	48.00
31	49.60
32	50.00
33	52.80
35	54.40
36	55.50
40	61.10
44	67.50
48	77.00
118	7.90

Table E

DASH NO.	Ø 'Z' ±0.40
095	7.90
100	9.90
101	13.10
102	14.80
103	16.30
104	18.00
105	19.50
106	22.20
107	25.80
108	29.00
109	32.20
110	35.30
111	38.60
112	41.70
113	44.90
114	48.00
115	52.80
116	61.10
117	63.80
205	20.00
206	23.00
207	26.00
208	30.60
209	33.30
210	36.50
211	39.00
213	46.00
214	49.20
308	30.20

## Metal Dust Cap Assembly For MIL 26482 Receptacle (08 to 24 Size)



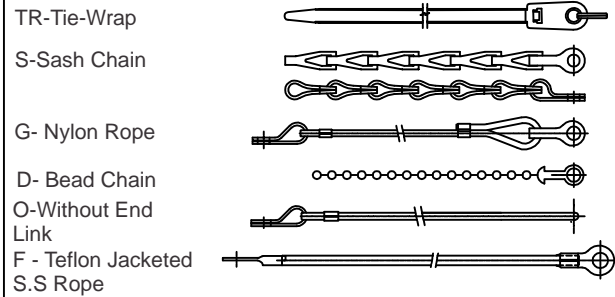
SHELL SIZE	L MAX.	Ø N MIN.	Ø O MAX.	X MAX.
08	14.27	14.68	18.64	21.44
10		17.86	21.82	
12		22.63	25.40	
14		25.81	28.58	
16		28.98	31.75	
18	32.16	34.92	15.88	21.44
20	35.33	38.10		
22	38.51	41.28		
24	41.68	44.45		

### Ordering Information

**IMB 3180-08-A-F-01-4-V1**

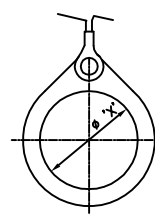
- Basic Series MIL 26482
- 3180- Plug Dust Cap
- 3181- Receptacle Dust Cap
- Shell Size : 08, 10, 12, 14, 16, 18, 20, 22, & 25
- Class: Aluminium
- A - Hard Anodic
- B - Zinc Nickel finish
- F - 48 hrs. Electroless Nickel
- T - PTFE Nickel Plating
- W - 500 hrs. Cadmium Olive Drab
- EB - Cad Free Zinc Cobalt-Olive Drab finish
- FB- Cad Free Zinc Cobalt-Black finish
- SD- Zinc Nickel finish (Black)
- Composite
- \*J- Composite, Cadmium Olive Drab
- \*M Composite Electroless Nickel
- NB-Nickel Aluminium Bronze
- CD- S. Steel Passivated
- Variant: V1-Without Rivet & Attachment
- \* Neglect If Not Applicable
- Cable Length (In Inches)
- \* Neglect If Not Applicable
- Dash No. for eyelet Table B For Solid ring Table C, D & E WF : With Ferrule (Supplied Loose) O: With out Eyelet & ring TR -With Tie- Wrap
- \* Neglect If Not Applicable
- Type of Attachment: D-Bead Chain Passivated F-Wire Rope With Teflon Jacket G-Nylon Cord (Green) S-Sash Chain Passivated N-No Attachment H--Wire Rope With Nylon Jacket B-Nylon Cord (Black)
- \* Neglect If Not Applicable

### Type Of Attachment:



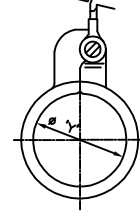
\* Consult Factory For Availability

\* Style '-C'



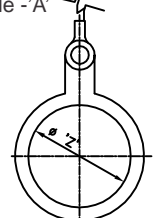
(For Details Refer Table 'C')  
\* Not Tooled

\* Style '-B'

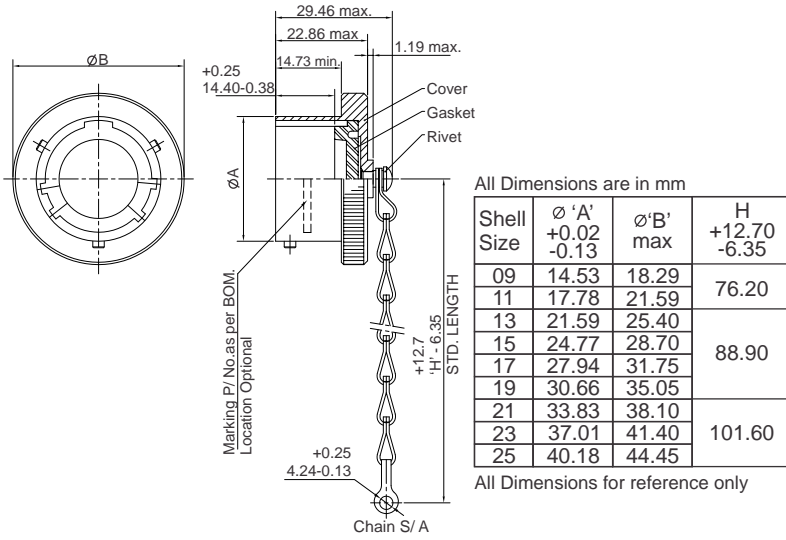


(For Details Refer Table 'D')  
\* Not Tooled

\* Style '-A'



(For Details Refer Table 'E')



All Dimensions are in mm

Shell Size	∅ 'A' +0.02 -0.13	∅ 'B' max	H +12.70 -6.35
09	14.53	18.29	76.20
11	17.78	21.59	
13	21.59	25.40	88.90
15	24.77	28.70	
17	27.94	31.75	
19	30.66	35.05	
21	33.83	38.10	101.60
23	37.01	41.40	
25	40.18	44.45	

All Dimensions for reference only

### Ordering Information

JANMS27501 B 11 C L

Designates Plug Dust Cover

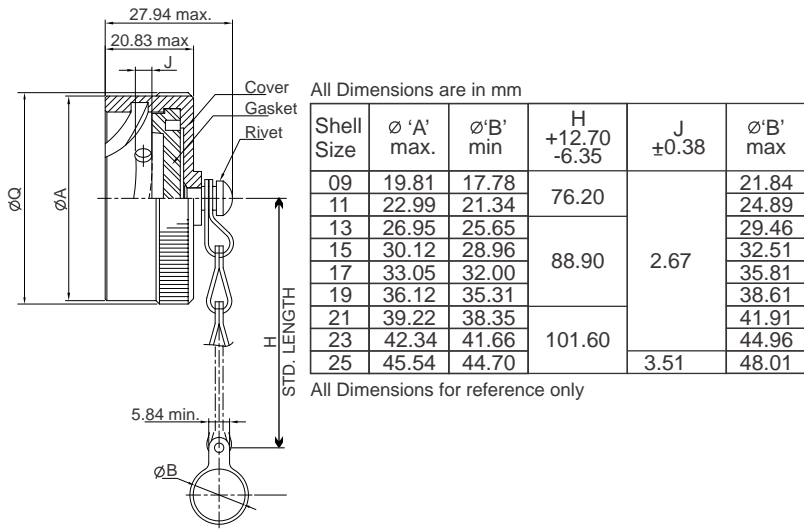
Shell Size: 09, 11, 13, 15, 17, 19, 21, 23 & 25

Class:  
 B-Cadmium plate olive drab finish  
 C-Hard Anodize black finish  
 F-Electroless nickel finish  
 Z- Black Zinc Nickel finish

Style: C-With chain  
 A- Without chain

Length  
 L- 127.0 + 12.7/-6.35 chain/Rope in lieu of std. length.  
 Leave blank for std. length. 'H'

Note: For non-standard long 'L' contact factory.



All Dimensions are in mm

Shell Size	∅ 'A' max.	∅ 'B' min	H +12.70 -6.35	J ±0.38	∅ 'B' max
09	19.81	17.78	76.20	2.67	21.84
11	22.99	21.34			24.89
13	26.95	25.65	29.46		
15	30.12	28.96	32.51		
17	33.05	32.00	88.90	2.67	35.81
19	36.12	35.31			38.61
21	39.22	38.35			41.91
23	42.34	41.66			44.96
25	45.54	44.70	101.60	3.51	48.01

All Dimensions for reference only

### Ordering Information (MIL Part Number)

JANMS27502 B 11 C L

Designates Receptacle Dust Cover

Shell Size: 09, 11, 13, 15, 17, 19, 21, 23 & 25

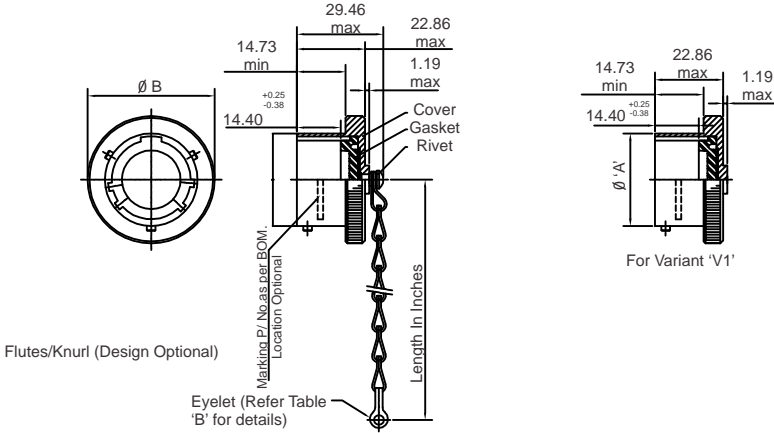
Class:  
 B-Cadmium plate olive drab finish  
 C-Hard Anodize black finish  
 F-Electroless Nickel finish  
 Z- Black Zinc Nickel finish

Style: C-With chain  
 A- Without chain

Length  
 L- 127.0 + 12.7/-6.35 chain/Rope in lieu of std. length.  
 Leave blank for std. length. 'H'

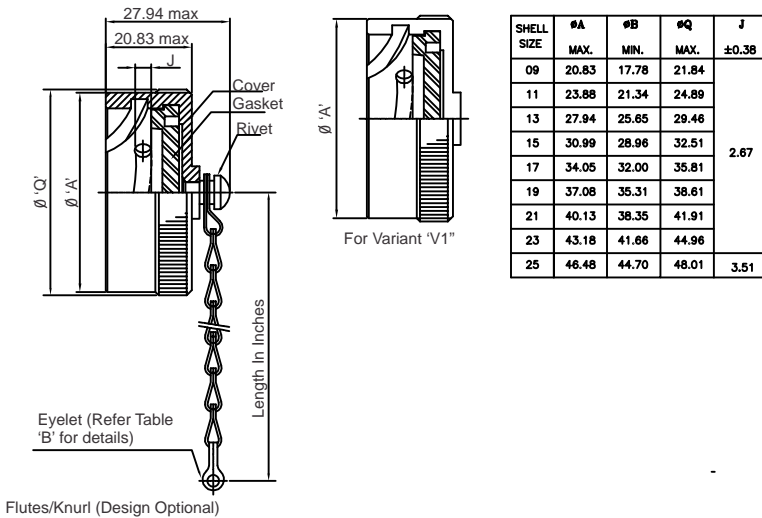
Note: For non-standard long 'L' contact factory.

## Metal Dust Cap Assembly For D38999 Series-1 Plug Connector (09 To 25 Size)



SHELL SIZE	ØA +0.02 -0.13	ØB MAX.
09	14.53	20.83
11	17.78	23.88
13	21.59	27.18
15	24.77	30.23
17	27.94	33.53
19	30.66	36.58
21	33.83	39.88
23	37.01	42.93
25	40.18	46.23

## Metal Dust Cap Assembly For D38999 Series-1 Receptacle Connector (09 To 25 Size)



SHELL SIZE	ØA MAX.	ØB MIN.	ØQ MAX.	J ±0.38	
09	20.83	17.78	21.84	2.67	
11	23.88	21.34	24.89		
13	27.94	25.65	29.46		
15	30.99	28.96	32.51		
17	34.05	32.00	35.81		
19	37.08	35.31	38.61		
21	40.13	38.35	41.91		
23	43.18	41.66	44.96		
25	46.48	44.70	48.01		3.51

Table B

Dash No	INNER DIA ±0.30
00	NO EYELET
01	3.60
02	4.60
03	4.90
04	5.00
05	4.20
06	3.20
07	5.50
09	4.00

Table C

DASH NO.	Ø 'X' ±0.40
50	10.80
52	12.30
54	16.30
56	19.10
58	22.60
60	25.80
62	27.80
64	28.70
66	31.80
68	34.30
70	35.30
72	37.70
74	41.30
76	44.50
78	47.60
80	50.30
82	52.30
84	56.80
86	58.70
88	62.90
90	67.40
92	71.40
94	77.30

Table D

DASH NO.	Ø 'Y' ±0.40
08	11.90
10	15.10
12	18.20
13	19.40
14	21.40
15	22.60
16	24.60
17	25.80
18	27.80
19	29.00
20	30.60
21	32.10
22	34.10
23	36.90
24	37.70
25	40.10
27	41.70
28	42.80
29	44.80
30	48.00
31	49.60
32	50.00
33	52.80
35	54.40
36	55.50
40	61.10
44	67.50
48	77.00
118	7.90

Table E

DASH NO.	Ø 'Z' ±0.40
095	7.90
100	9.90
101	13.10
102	14.80
103	16.30
104	18.00
105	19.50
106	22.20
107	25.80
108	29.00
109	32.20
110	35.30
111	38.60
112	41.70
113	44.90
114	48.00
115	52.80
116	61.10
117	63.80
205	20.00
206	23.00
207	26.00
208	30.60
209	33.30
210	36.50
211	39.00
213	46.00
214	49.20
308	30.20

### ORDERING INFORMATION

**ILJT 27501-09-A-D-01-4-V1**

Basic Series  
D38999 Series

27501- Plug Dust Cap  
27502- Receptacle Dust Cap

Shell Size : 09, 11, 13, 15, 17, 19, 21, 23, & 25

Class: Aluminum  
A - Hard Anodic  
B - Zinc Nickel finish  
F - 48 hrs. Electroless Nickel  
T - PTFE Nickel Plating  
W - 500 hrs. Cadmium Olive Drab  
EB - Cad Free Zinc Cobalt-Olive Drab finish  
FB- Cad Free Zinc Cobalt-Black finish  
SD- Zinc Nickel finish (Black) Composite  
\*J- Composite, Cadmium Olive Drab  
\*M Composite Electroless Nickel  
NB-Nickel Aluminium Bronz  
CD- S. Steel Passivated

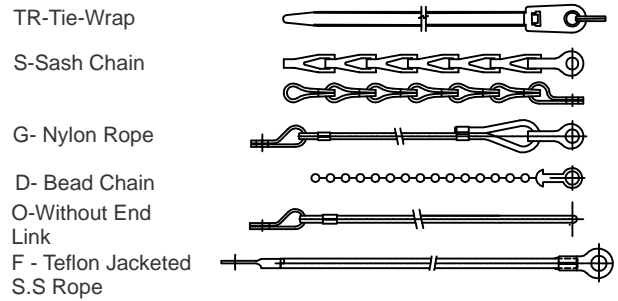
Variant:  
V1-Without Rivet & Attachment  
\* Neglect If Not Applicable

Cable Length (In Inches)  
\* Neglect If Not Applicable

Dash No.  
for eyelet Table B  
for Solid ring Table C, D & E  
WF : With Ferrule (Supplied Loose)  
O; With out Eyelet & ring  
TR -With Tie- Wrap  
\* Neglect If Not Applicable

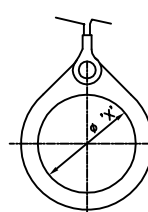
Type Of Attachment:  
D-Bead Chain Passivated  
F-Wire Rope With Teflon Jacket  
G-Nylon Cord (Green)  
S-Sash Chain Passivated  
N-No Attachment  
H--Wire Rope With Nylon Jacket  
B-Nylon Cord (Black)  
\* Neglect If Not Applicable

### Type Of Attachment:



\* Consult Factory For Availability

\* Style '-C'



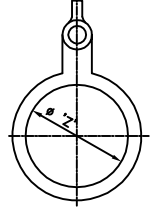
(For Details Refer Table 'C')  
\* Not Toolled

\* Style '-B'

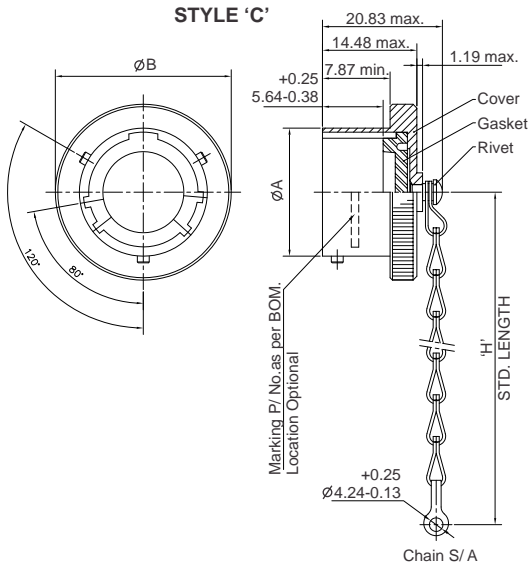


(For Details Refer Table 'D')  
\* Not Toolled

\* Style '-A'



(For Details Refer Table 'E')



All Dimensions are in mm

Shell Size	Ø 'A' +0.02 -0.13	Ø 'B' max OVERALL	H +12.70 -6.35
08	12.01	18.29	76.20
10	14.99	21.59	
12	19.05	25.40	
14	22.22	28.70	
16	25.40	31.75	88.90
18	28.58	35.05	
20	31.75	38.10	101.60
22	34.92	41.40	
24	38.10	44.45	

All Dimensions for reference only

## Ordering Information (MIL Part Number)

JANMS27510 A 08 C L

Designates Plug Dust Cover

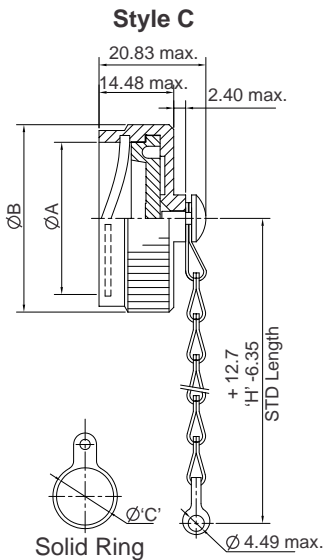
Shell Size: 08, 10, 12, 14, 16, 18, 20, 22 & 24

Class:  
 B-Cadmium plate olive drab finish  
 C-Hard Anodize black finish  
 F-Electroless Nickel finish  
 Z- Black Zinc Nickel Finish

Style: C-With chain  
 A- Without chain

Length  
 L- 127.0 + 12.7/-6.35 chain/Rope in lieu of std. length.  
 Leave blank for std. length. 'H'

Note: For non-standard long 'L' contact factory.



## Ordering Information (MIL Part Number)

JANMS27511 A 08 C L

Designates Receptacle Dust Cover

Class:  
 B-Cadmium plate olive drab finish  
 C-Hard Anodize black finish  
 F-Electroless Nickel finish  
 Z- Black Zinc Nickel finish

Shell Size: 08, 10, 12, 14, 16, 18, 20, 22 & 24

Style:  
 C-With chain  
 A- Without chain  
 N-With chain & ring  
 R-S.S. Rope hole 3.28 max. (08 to 22 size)  
 3.68 max. (24 size)

Length  
 L- 127.0 + 12.7/-6.35 chain/Rope in lieu of std. length.  
 Leave blank for std. length. 'H'

Note: For non-standard long 'L' contact factory.

All Dimensions are in mm

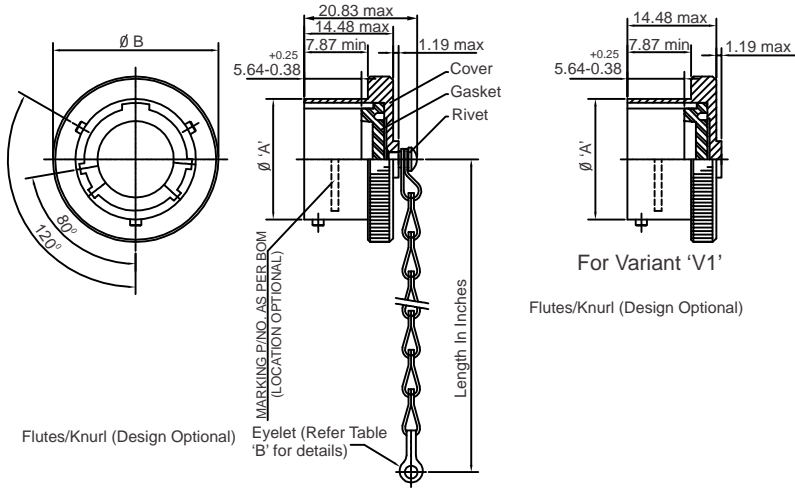
Shell Size	Ø 'A' max.	Ø 'B' min	'C' max	H max.
08	16.00	19.05	22.61	76.20
10	19.23	21.82	25.65	
12	23.77	26.19	28.96	
14	27.28	29.36	32.0	88.90
16	29.77	32.54	35.31	
18	33.12	35.71	38.35	101.60
20	36.45	38.89	41.66	
22	39.62	41.68	44.70	
24	42.88	44.86	48.0	

All Dimensions for reference only

Flutes/Knurl (Design Optional)



## Metal Dust Cap Assembly For D38999 Series-II Plug Connector (09 To 25 Size)

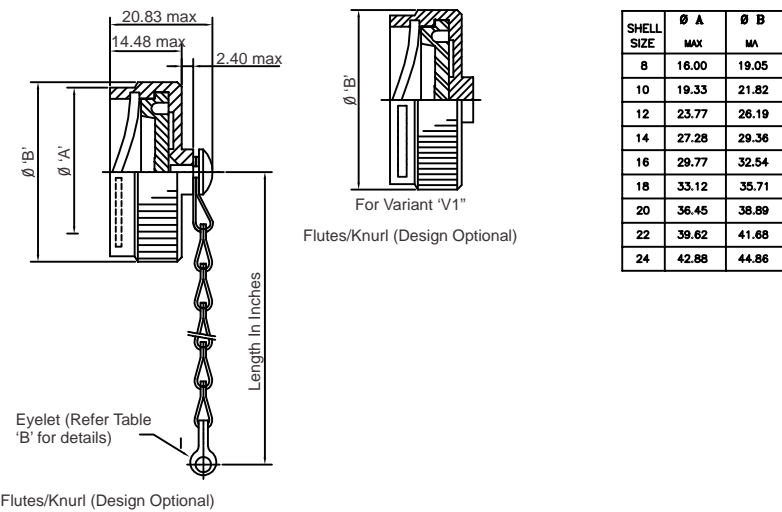


SHELL SIZE	Ø A +0.02 -0.13	Ø B max OVERALL
08	12.01	18.29
10	14.99	21.59
12	19.05	25.40
14	22.22	28.70
16	25.40	31.75
18	28.58	35.05
20	31.75	38.10
22	34.92	41.40
24	38.10	44.45

For Variant 'V1'

Flutes/Knurl (Design Optional)

## Metal Dust Cap Assembly For D38999 Series-II Receptacle Connector (09 To 25 Size)



SHELL SIZE	Ø A MAX	Ø B MA
8	16.00	19.05
10	19.33	21.82
12	23.77	26.19
14	27.28	29.36
16	29.77	32.54
18	33.12	35.71
20	36.45	38.89
22	39.82	41.68
24	42.88	44.86

Table B

Dash No	Inner DIA ±0.30
00	NO EYELET
01	3.60
02	4.60
03	4.90
04	5.00
05	4.20
06	3.20
07	5.50
09	4.00

Table C

DASH NO.	Ø 'X' ±0.40
50	10.80
52	12.30
54	16.30
56	19.10
58	22.60
60	25.80
62	27.80
64	28.70
66	31.80
68	34.30
70	35.30
72	37.70
74	41.30
76	44.50
78	47.60
80	50.30
82	52.30
84	56.80
86	58.70
88	62.90
90	67.40
92	71.40
94	77.30

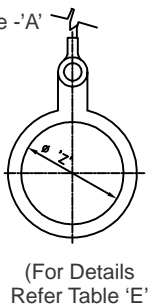
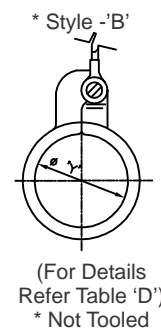
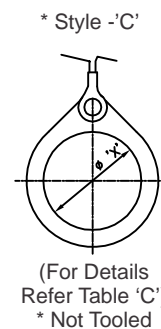
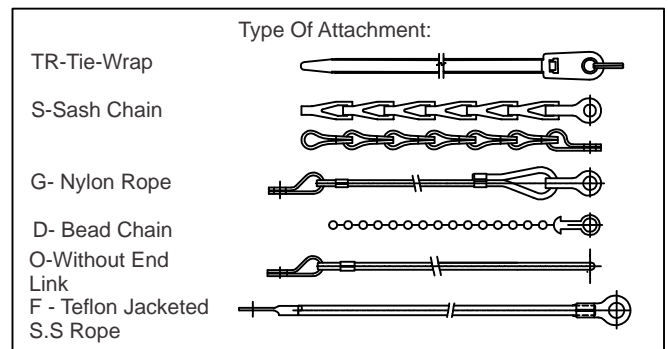
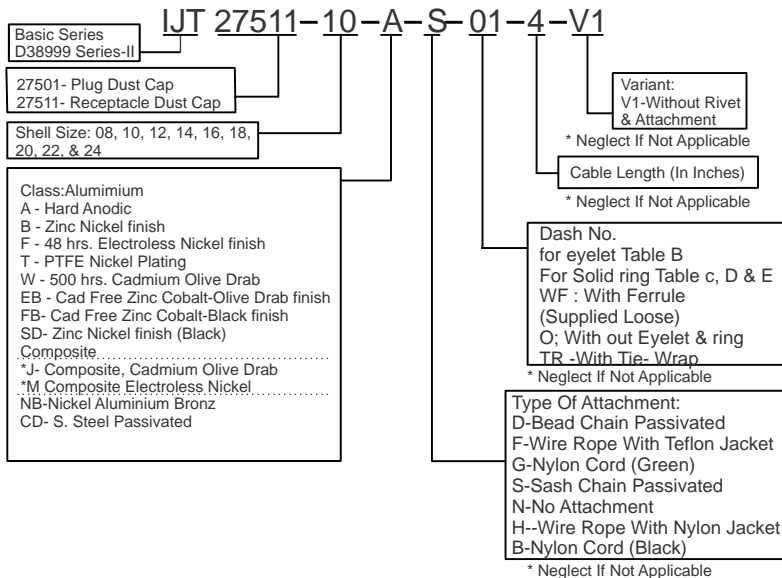
Table D

DASH NO.	Ø 'Y' ±0.40
08	11.90
10	15.10
12	18.20
13	19.40
14	21.40
15	22.60
16	24.60
17	25.80
18	27.80
19	29.00
20	30.60
21	32.10
22	34.10
23	36.90
24	37.70
25	40.10
27	41.70
28	42.80
29	44.80
30	48.00
31	49.60
32	50.00
33	52.80
35	54.40
36	55.50
40	61.10
44	67.50
48	77.00
118	7.90

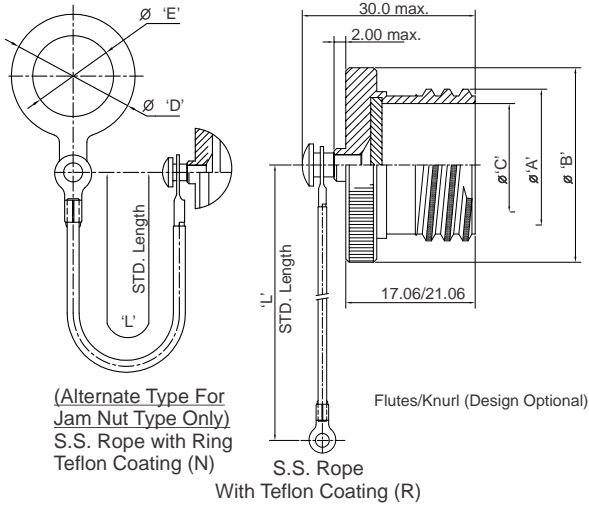
Table E

DASH NO.	Ø 'Z' ±0.40
095	7.90
100	9.90
101	13.10
102	14.80
103	16.30
104	18.00
105	19.50
106	22.20
107	25.80
108	29.00
109	32.20
110	35.30
111	38.60
112	41.70
113	44.90
114	48.00
115	52.80
116	61.10
117	63.80
205	20.00
206	23.00
207	26.00
208	30.60
209	33.30
210	36.50
211	39.00
213	46.00
214	49.20
308	30.20

## ORDERING INFORMATION



## Ordering Information (MIL Part Number)



JAND38999/32 W 15 R

Designates Plug Dust Cover

Class: F - Electroless nikel finish.  
W - Aluminium, 500 hrs cadmium olive drab.  
Z - Black Zinc Nickel finish

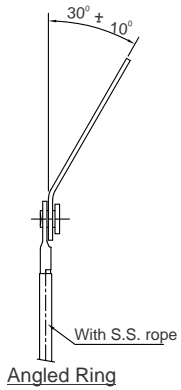
Shell Size : 09, 11, 13, 15, 17, 19, 21, 23, & 25

Style: R - Rope  
N - With rope & ring.

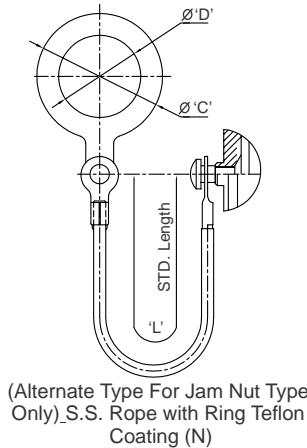
All Dimensions are in mm

Shell Size	'A' Thread -2A -0.1P -0.3L-TS	$\phi B$ Max	'C' +0.0 -0.15	$\phi D$ Max	$\phi E$ Min	'L' + 13.0 - 7.0
09	0.625"	23.0	12.50	24.0	13.0	127
11	0.750"	26.0	15.75	27.0	18.0	
13	0.875"	31.0	19.53	30.0	20.0	
15	1.000"	33.0	22.71	31.0	23.0	
17	1.1875"	37.0	25.88	37.0	26.0	
19	1.250"	40.0	28.55	40.0	29.0	
21	1.375"	44.0	31.72	44.0	32.0	
23	1.500"	46.0	34.80	45.0	34.0	
25	1.625"	50.0	38.07	49.0	39.0	

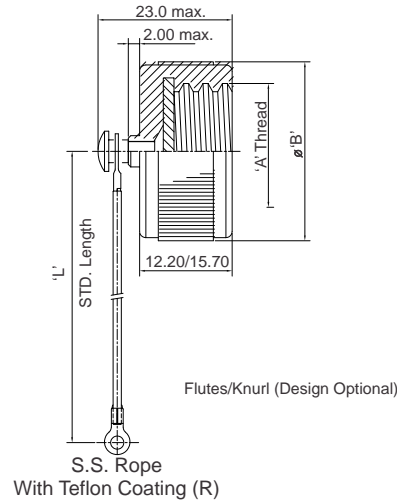
All Dimensions for reference only



Angled Ring



(Alternate Type For Jam Nut Type Only) S.S. Rope with Ring Teflon Coating (N)



S.S. Rope With Teflon Coating (R)

## Ordering Information (MIL Part Number)

JAND38999/33 W 15 R

Designates Receptacle Dust Cover

Class:-  
F - Electroless nikel finish.  
W - Aluminium, 500 hrs cadmium olive drab.  
Z - Black Zinc Nickel finish

Shell Size : 09, 11, 13, 15, 17, 19, 21, 23, & 25

Style-  
R - Rope  
N - With rope & ring.

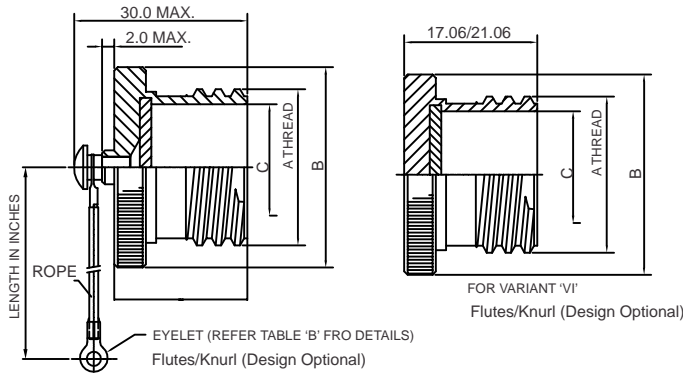
All Dimensions are in mm

Shell Size	'A' Thread -2A -0.1P -0.3L-TS	$\phi B$ Max	'C' Max	$\phi D$ Min	'L' + 13.0 - 7.0
09	0.625"	23.0	27.0	17.64	127
11	0.750"	28.0	32.0	21.97	
13	0.875"	31.0	37.0	25.15	
15	1.000"	32.0	40.0	29.92	
17	1.1875"	37.0	44.0	32.0	
19	1.250"	39.0	46.0	36.27	
21	1.375"	42.0	49.0	38.25	
23	1.500"	45.0	54.0	42.62	
25	1.625"	49.0	56.0	44.45	

All Dimensions for reference only

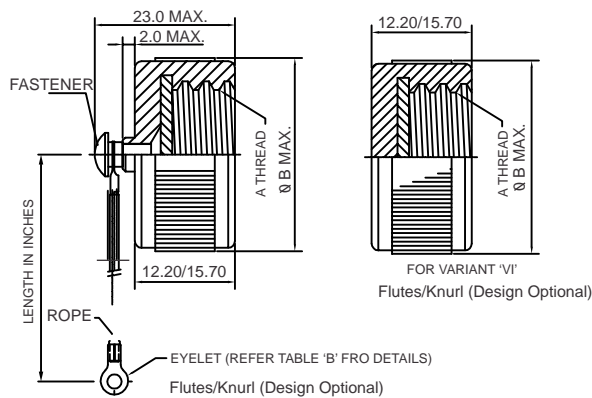
Note: For non. std. long "L" Contact factory

## D38999 SERIES III PLUG DUST CAP (ITV 32)



SHELL SIZE	'A' THREAD-2A -0.1P-0.3L-TS	ØB max	'C' +0.00 -0.15
09	0.625"	23.0	12.50
11	0.750"	26.0	15.75
13	0.875"	31.0	19.53
15	1.000"	33.0	22.71
17	1.1875"	37.0	25.88
19	1.250"	40.0	28.55
21	1.375"	44.0	31.72
23	1.500"	46.0	34.90
25	1.625"	50.0	38.07

## 38999 SERIES III RECEPTACLE DUST CAP (ITV 33)



SHELL SIZE	'A'-0.1P-0.3L T.S THREAD - 2B	'B' max dia
09	0.625"	23.0
11	0.750"	28.0
13	0.875"	31.0
15	1.000"	32.0
17	1.1875"	37.0
19	1.250"	39.0
21	1.375"	42.0
23	1.500"	45.0
25	1.625"	49.0

Table B

Dash No	INNER DIA ±0.30
00	NO EYELET
01	3.60
02	4.60
03	4.90
04	5.00
05	4.20
06	3.20
07	5.50
09	4.00

Table C

DASH NO.	Ø 'X' ±0.40
50	10.80
52	12.30
54	16.30
56	19.10
58	22.60
60	25.80
62	27.80
64	28.70
66	31.80
68	34.30
70	35.30
72	37.70
74	41.30
76	44.50
78	47.60
80	50.30
82	52.30
84	56.80
86	58.70
88	62.90
90	67.40
92	71.40
94	77.30

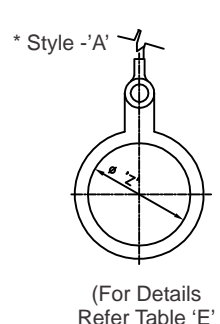
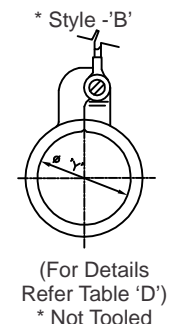
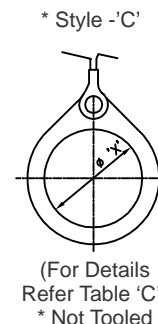
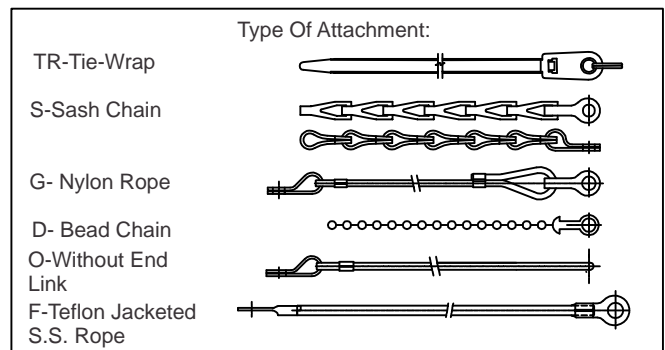
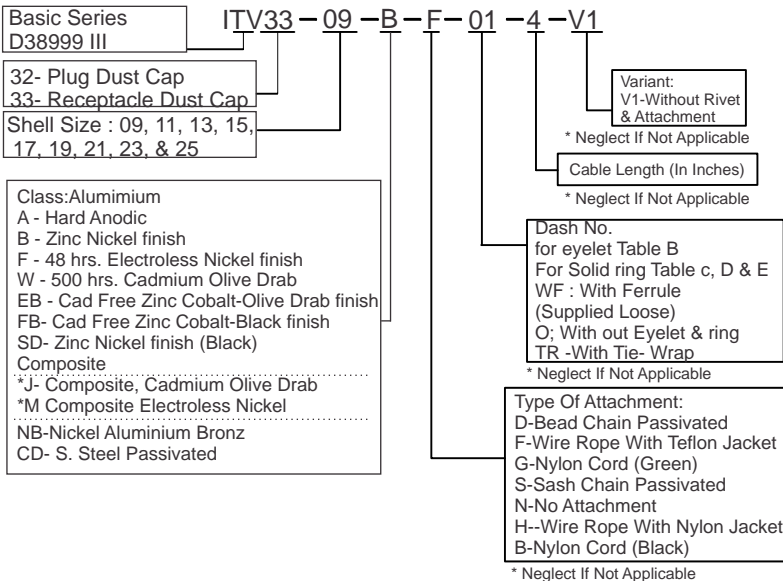
Table D

DASH NO.	Ø 'Y' ±0.40
08	11.90
10	15.10
12	18.20
13	19.40
14	21.40
15	22.60
16	24.60
17	25.80
18	27.80
19	29.00
20	30.60
21	32.10
22	34.10
23	36.90
24	37.70
25	40.10
27	41.70
28	42.80
29	44.80
30	48.00
31	49.60
32	50.00
33	52.80
35	54.40
36	55.50
40	61.10
44	67.50
48	77.00
118	7.90

Table E

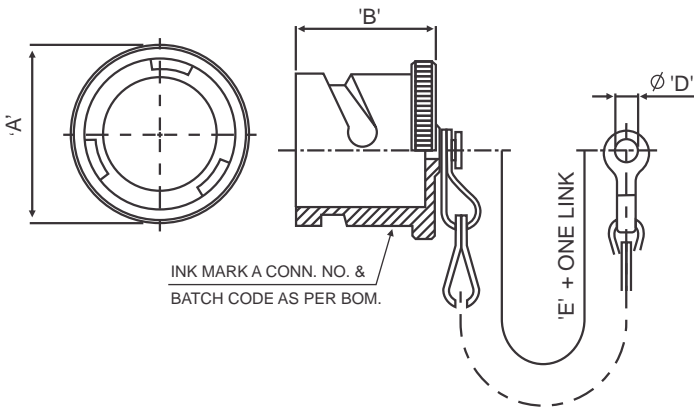
DASH NO.	Ø 'Z' ±0.40
095	7.90
100	9.90
101	13.10
102	14.80
103	16.30
104	18.00
105	19.50
106	22.20
107	25.80
108	29.00
109	32.20
110	35.30
111	38.60
112	41.70
113	44.90
114	48.00
115	52.80
116	61.10
117	63.80
205	20.00
206	23.00
207	26.00
208	30.60
209	33.30
210	36.50
211	39.00
213	46.00
214	49.20
308	30.20

## ORDERING INFORMATION



## Other Accessories Protective Cap for 97B Series

### 97B-25042 For Plugs

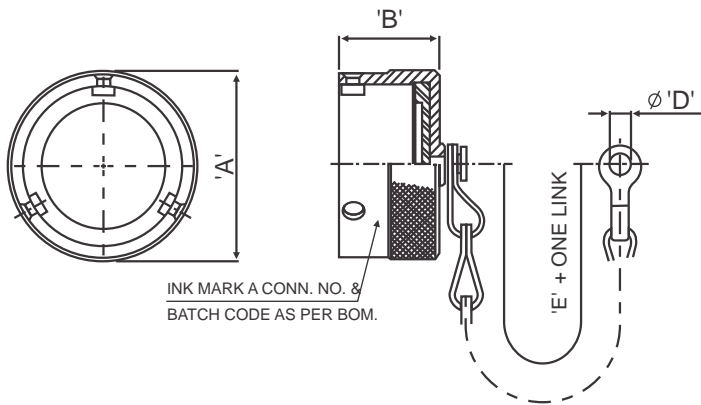


All dimensions are in mm

PART NUMBER	SHELL SIZE	'A' MAX.	'B' MAX.	'D' + 0.60/-0	'E' MIN.
97 B - 25042 - 10SL	10 SL	21.0	23.50	4.30	90.0
97 B - 25042 - 14S	14 S	27.50			100.0
97 B - 25042 - 16S	16 S	30.0			115.0
97 B - 25042 - 16	16		31.50	4.70	130.0
97 B - 25042 - 18	18	33.50			
97 B - 25042 - 20	20	37.0			
97 B - 25042 - 22	22	40.0			
97 B - 25042 - 24	24	43.0			
97 B - 25042 - 28	28	49.50			
97 B - 25042 - 32	32	56.0			
97 B - 25042 - 36	36	62.50	5.50	190.0	
97 B - 25042 - 40	40	68.50			

## Protective Cap For 97B Series

### 97B-25043 For Receptacle



All dimensions are in mm

PART NUMBER	SHELL SIZE	'A' MAX.	'B' ± 0.20	'D' + 0.60/-0	'E' MIN.
97 B - 25043 - 10SL	10 SL	23.0	16.0	4.30	90.0
97 B - 25043 - 14S	14 S	30.0			100.0
97 B - 25043 - 16S	16 S	32.50			115.0
97 B - 25043 - 16	16		20.70	5.50	160.0
97 B - 25043 - 18	18	37.0			
97 B - 25043 - 20	20	40.50			
97 B - 25043 - 22	22	43.50			
97 B - 25043 - 24	24	47.0			
97 B - 25043 - 28	28	54.0			
97 B - 25043 - 32	32	60.50			
97 B - 25043 - 36	36	67.0			
97 B - 25043 - 40	40	73.0			

Note :- Please add 07 suffix for bigger end link. Applicable for Jam Nut

### 97B-25043-XX-624-LXX-V1

97B- Reverse Bayonet caps  
MS- Threaded Caps

25042 - Caps for plug  
25043 - Caps for receptacle

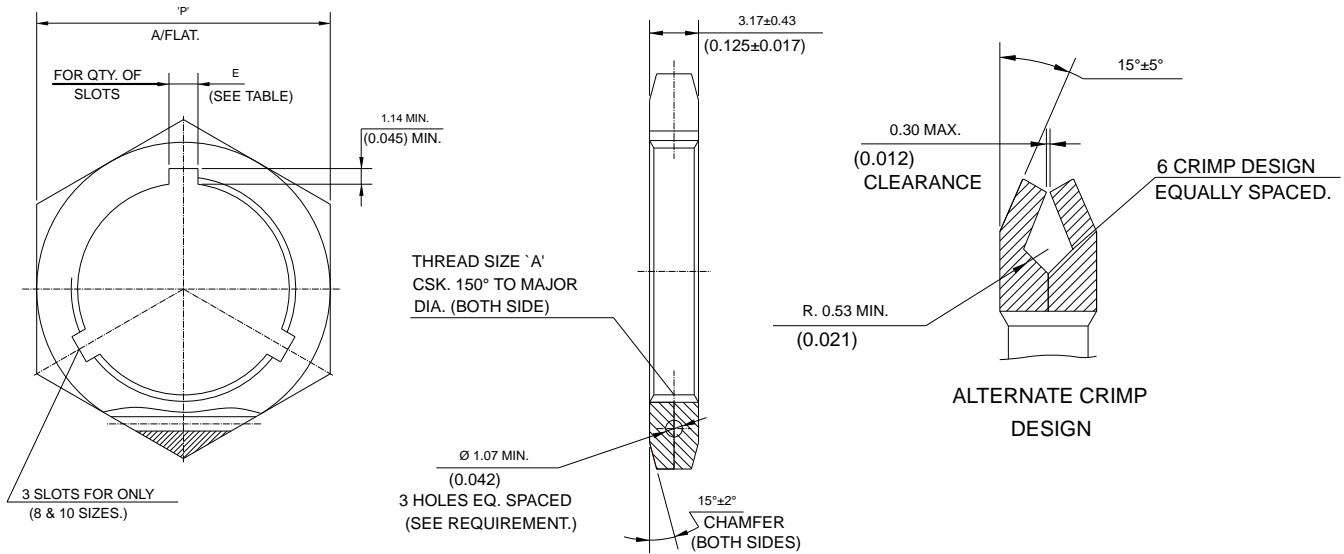
Shell Size 10sl To 36

Cap w/o chain & rivet hole

For non - std length specified in cm.

A23 Electroless Nickel Finish  
624 : Zn CO Black  
622 : Zn Co Green  
610 : Hard Anodize finish  
(Standard supplied Cadmium green colour)

# P Panel Nut (QPL) D38999 Series III & IV



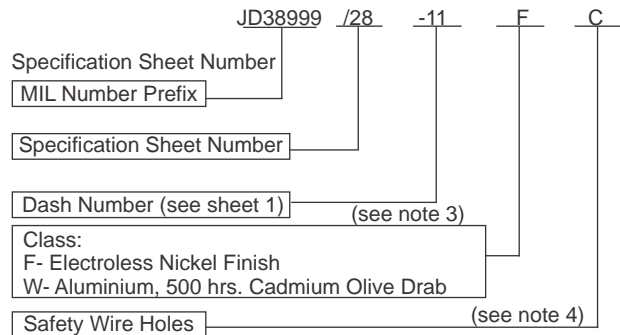
## Dimensions

Dash No.	Shell size		'A' Thread Size	Modified Minor Dia	P Hex.
	Ser-III	Ser-IV			
1	09	---	M17X1-6H	16.04/16.15	24.0 21.82
2	11	---	M20X1-6H	19.07/19.15	27.0 24.99
3	13	11	M25X1-6H	---	32.0 29.77
4	15	13	M28X1-6H	---	36.0 32.91
5	---	15	M31X1-6H	---	41.0 39.26
6	17	---	M32X1-6H	---	37.0 36.12
7	---	17	M34X1-6H	---	41.0 39.25
8	19	---	M35X1-6H	---	41.0 39.25
9	21	19	M38X1-6H	---	46.0 42.47
10	23	21	M41X1-6H	---	50.0 45.61
11	25	23	M44X1-6H	---	51.23 49.25
12	---	25	M47X1-6H	---	55.0 53.54

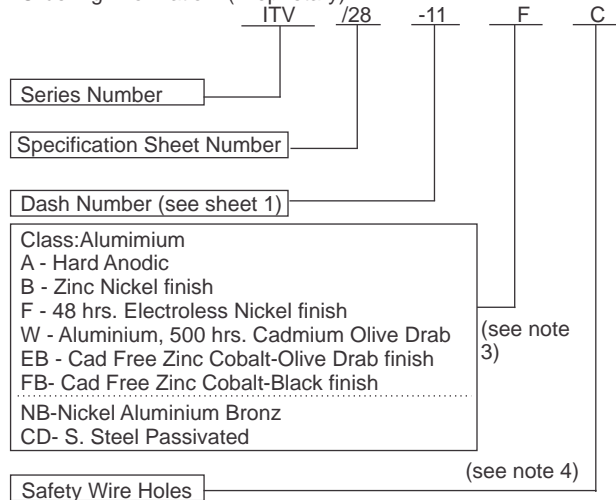
## Requirements:

Material - Panel Nut : Machined Aluminium Alloy  
 Used in Connector : MIL-DTL-38999, Series III, & IV (Jam Nut Receptacle)

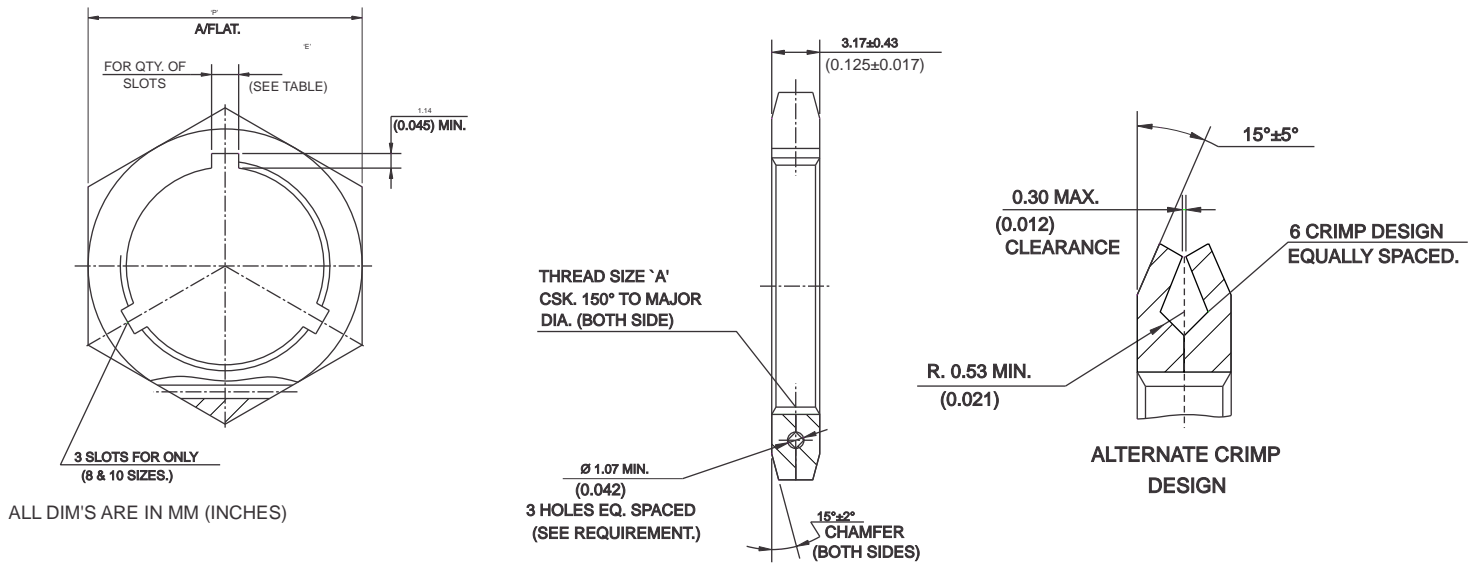
## Ordering Information: (QPL)



## Ordering Information: (Proprietary)



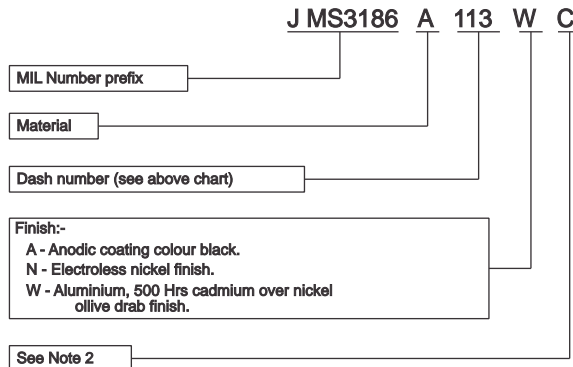
# P anel Nut (QPL) D38999 Series I & MIL 26482



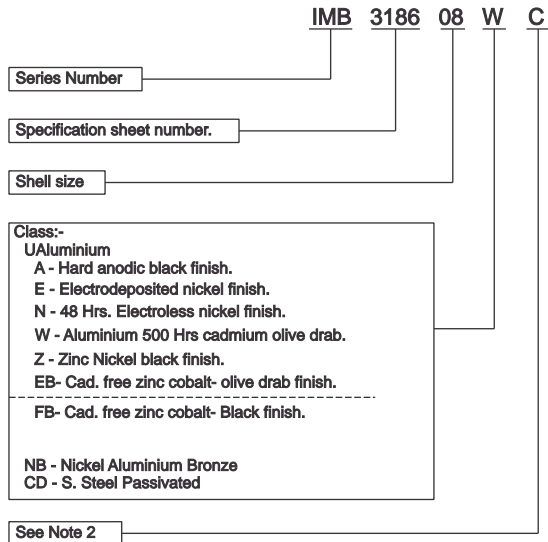
(MILITARY PART NUMBER.)

Dash Number	For conn. Shell size (ref.)			UDIMENSION'S			
	MIL-DTL -26482	MIL-DTL -38999 Ser-I	MIL-DTL -26482 Ser-II	'A' Thread Size. -2B	'E' MAX.	'P' $\pm 0.43 (\pm 0.017)$	'S' MIN. NO. OF SLOTS
102	08	--	--	0.5625-24UNEF	3.43 (0.135)	19.05 (0.750)	3
106	10	09	--	0.6875-24UNEF		22.22 (0.750)	
108	--	11	--	0.8125-20UNEF		25.40 (1.000)	
109	12	--	08	0.875-20UNEF		26.97 (1.062)	
111	14	13	10	1.000-20UNEF		30.17 (1.188)	
113	16	15	12	1.125-18UNEF		33.32 (1.312)	
116	18	17	14	1.250-18UNEF		36.52 (1.438)	
117	20	19	16	1.375-18UNEF	4.88 (0.192)	39.67 (1.562)	1
120	22	21	18	1.500-18UNEF		42.87 (1.688)	
121	24	23	20	1.625-18UNEF		46.02 (1.812)	
122	--	25	22	1.750-18UNEF		50.80 (2.000)	
123	--	--	24	1.875-16UN		53.95 (2.125)	

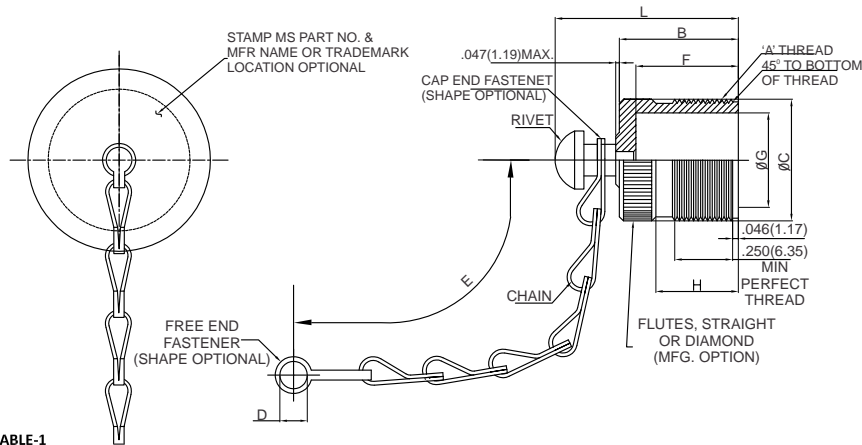
ORDERING INFORMATION:



ORDERING INFORMATION:



# Plug Dust Cap (MS25042)

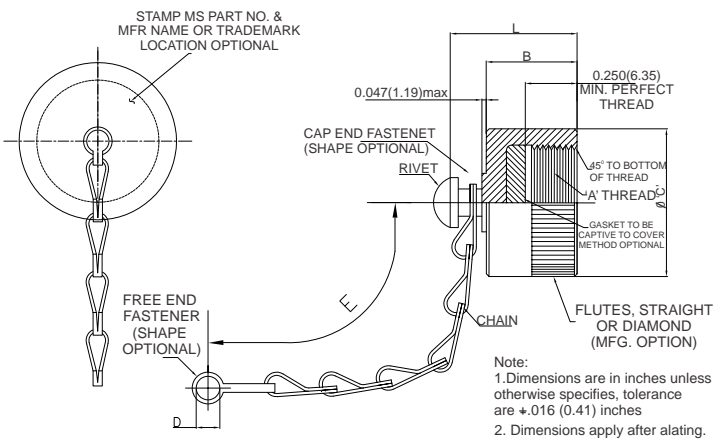


How To Order			
Military #	MS25042	-10	D
Amphenol #	A25042	-10	D
Basic No.	Dash No.	Finish	
	Refer Table-1	Refer Table-2	

TABLE-1

DASH NO (-)	COUPLING SHELL SIZE (REF)	A THREAD (PRE AS8879)	'B' MAX	'C' MAX DIA	ØD +.010 (0.27) - .005 (0.12)	E ±1 LINK	F	G DIA	H MIN.	L MAX	SHELL SIZE RANGE (REF)
8	8S	.500-28 UNEF-2A	.656 (16.7)	.562 (14.3)	.156 (4.0)	4.500 (114.3)	.562 (14.3)	.375 (9.5)	.380 (9.7)	.969 (24.6)	SMALL
10	10S,10SL	.625-24 UNEF-2A	.687 (17.4)	.687 (17.4)				.469 (11.9)			
12	12,12SL	.750-20 UNEF-2A	.812 (20.6)	.812 (20.6)				.562 (14.3)			
14	14,14SL	.875-20 UNEF-2A	.937 (23.8)	.937 (23.8)				.688 (17.5)			
16	16,16SL	1.000-20 UNEF-2A	1.062 (27.0)	1.062 (27.0)				.812 (20.5)			
18	18	1.125-18 UNEF-2A	1.187 (30.1)	1.187 (30.1)				.938 (23.8)			
20	20	1.250-18 UNEF-2A	1.312 (33.3)	1.312 (33.3)				1.062 (27.0)			
22	22	1.375-18 UNEF-2A	1.437 (36.5)	1.437 (36.5)	1.188 (30.2)	.530 (13.5)	1.156 (29.4)		MEDIUM		
24	24	1.500-18 UNEF-2A	1.562 (39.7)	1.562 (39.7)	1.312 (33.3)						
28	28	1.750-18 UNS-2A	1.812 (46.0)	1.812 (46.0)	1.531 (38.9)						
32	32	2.000-18 NS-2A	2.062 (52.4)	2.062 (52.4)	1.781 (45.2)						
36	36	2.250-16 UN-2A	2.312 (58.7)	2.312 (58.7)	2.000 (50.8)						
40	40	2.500-16 UN-2A	2.562 (65.1)	2.562 (65.1)	2.250 (57.2)						
44	44	2.750-16 UN-2A	2.812 (71.4)	2.812 (71.4)	2.500 (63.5)						
48	48	3.000-16 UN-2A	3.062 (77.8)	3.062 (77.8)	2.750 (69.9)	.590 (15.0)			LARGE		

## Receptacle Dust Cap (MS 25043)



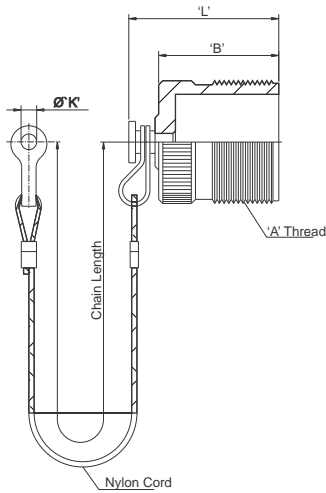
Note:  
1. Dimensions are in inches unless otherwise specifies, tolerance are  $\pm 0.016$  (0.41) inches  
2. Dimensions apply after plating.

Dash No (-)	Coupling Shell Size (REF)	A Thread (PRE AS8879)	B MAX	C MAX DIA	ØD +.010 (0.27) - .005 (0.12)	E ±1 Link	L MAX	SHELL SIZE RANGE (REF)
8	8S	.500-28 UNEF-2B	.469 (11.9)	.688 (17.5)	.140 (3.6)	4.500 (114.3)	.750 (19.1)	SMALL
10	10S,10SL	.625-24 UNEF-2B		.813 (20.7)				
12	12,12SL	.750-20 UNEF-2B		1.000 (25.4)				
14	14,14SL	.875-20 UNEF-2B		1.125 (28.6)				
16	16,16SL	1.000-20 UNEF-2B		1.188 (30.2)				
18	18	1.125-18 UNEF-2B		1.344 (34.1)				
20	20	1.250-18 UNEF-2B		1.469 (37.3)				
22	22	1.375-18 UNEF-2B	1.594 (40.5)	.171 (4.3)	5.000 (127.0)	MEDIUM		
24	24	1.500-18 UNEF-2B	1.719 (43.7)					
28	28	1.750-18 UNS-2B	1.969 (50.0)					
32	32	2.000-18 NS-2B	2.219 (56.4)					
36	36	2.250-16 UN-2B	2.469 (62.7)					
40	40	2.500-16 UN-2B	2.718 (69.0)					
44	44	2.750-16 UN-2B	2.969 (75.4)					
48	48	3.000-16 UN-2B	3.188 (81.0)	.187 (4.7)	7.750 (196.9)	.812 (20.6)	LARGE	

Table-2 Finish

Finish Code	Finish Description
D	Cadmium Olive Drab Over Electroless Nickel
DA	Black Anodizer Per AMS-8625, Type II, Class 2

How To Order			
Military #	MS25043	-10	D
Amphenol #	A25043	-10	D
Basic No.	Dash No.	Finish	
	Refer Table-1	Refer Table-2	



Dash No.	'K'-DIA
01	0.140 (3.6)
02	0.182 (4.6)
03	0.191 (4.9)
04	0.197 (5.0)
05	0.167 (4.2)
06	0.125 (3.3)
07	0.216 (5.5)
09	0.156 (4.0)
00	NO EYELET

Table- II

Shell Size	'A' Thread	'B' Max.	'C' Max.	'L' Max.
10SL	5/8"-24NEF	16.67	17.44	24.61
12S/12	3/4"-20UNEF	21.44	20.63	29.36
14S	7/8"-20UNEF		23.79	
16S/16	1-20"UNEF		26.97	
18	1 1/8"-18NEF		30.14	
20	1 1/4"-18NEF		33.32	
22	1 3/8"-18NEF		36.49	
24	1 1/2"-18UNEF		39.67	
28	1 3/4"-18NS		46.02	
32	2-18"UNS		52.37	
36	2 1/4"-16UN	21.44	58.72	29.36

Table- I

IMS25042- 18- W- F- 01 -4

Length In Inches

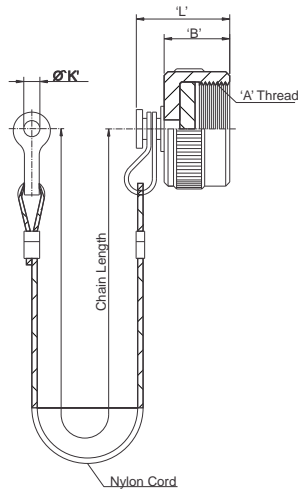
Dash No. Ring or EyeLet TABLE II, III, IV, V

Type Of Attachment  
 D-Bead Chain Passivated  
 F-Wire Rope With Teflon Jacket  
 G-Nylon Cord  
 GL-Nylon Cord With Lug End  
 S-Sash Chain Pasivated  
 N-No Attachment  
 H-Wire Rope With Nylon Jacket

**Class**

**Aluminium**

CB - Electroless Nickel  
 TN - PTFE Nickel Plating  
 W - Cadmium Olive Drab  
 EB - Cad.Free Zinc Cobolt-Olive Drab Finish  
 FB - Cad. Free Zinc Cobolt- Black Finish



	'K'-DIA
01	3.60
02	4.60
03	4.90
04	5.00
05	4.20
06	3.30
07	5.50
09	4.00
00	NO EYELET

Table- II

Shell Size	'A' Thread	'B' Max.	'C' Max.	'L' Max.
10SL	5/8"-24NEF	11.91	20.70	19.05
12S/12	3/4"-20UNEF		25.40	
14S	7/8"-20UNEF		28.57	
16S/16	1-20"UNEF		30.17	
18	1 1/8"-18NEF		34.13	
20	1 1/4"-18NEF		37.31	
22	1 3/8"-18NEF		40.48	
24	1 1/2"-18UNEF		43.66	19.05
28	1 3/4"-18NS	13.48	50.00	20.62
32	2-18"UNS	13.48	56.36	20.62
36	2 1/4"-16UN	13.48	62.71	20.62

Table- I

IMS25043- 18- W- F- 01 -4

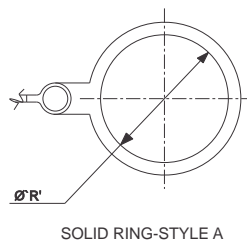
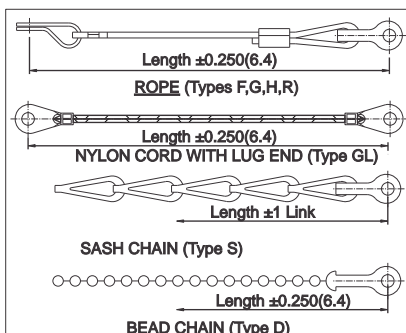
Length In Inches

Dash No. EyeLet or Ring TABLE II,III

Type Of Attachment  
 D-Bead Chain Passivated  
 F-Wire Rope With Teflon Jacket  
 G-Nylon Cord  
 GL-Nylon Cord With Lug End  
 S-Sash Chain Pasivated  
 N-No Attachment  
 H-Wire Rope With Nylon Jacket

**Class Aluminium**

A- Hard Anodic  
 B- Zinc Nickel Finish  
 F- 48 Hrs. Electroless Nickel  
 T- PTFE Nickel Plating  
 W - 500 Hrs. Cadmium Olive Drab  
 EB - Cad. Free Zinc Cobolt-Olive Drab Finish  
 FB - Cad. Free Zinc Cobolt- Black Finish  
 SD- Zinc Nickel finish (Black)  
 Class Stainless Steel -Ss304  
 CD - Passivated



Dash No.	ØR +0.4	Dash No.	ØR +0.4
50	10.8	74	41.3
52	12.3	76	44.5
54	16.3	78	47.6
56	19.1	80	50.3
58	22.6	82	52.3
60	25.8	84	56.8
62	27.8	86	58.7
64	28.7	88	62.9
66	31.8	90	67.4
68	34.3	92	71.4
70	35.3	94	77.3
72	37.7		

Table- V

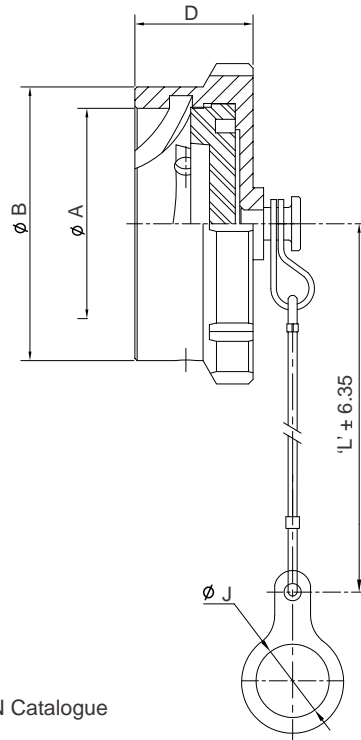
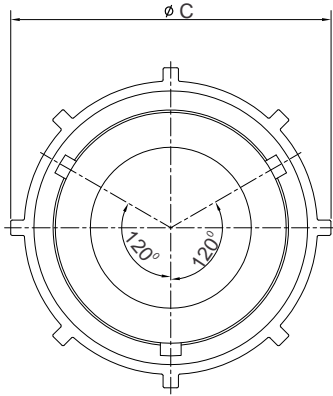
Dash No.	ØR +0.4	Dash No.	ØR +0.4
08	11.9	24	37.7
10	15.1	25	40.1
12	18.2	27	41.7
13	19.4	28	42.8
14	21.4	29	44.8
15	22.6	30	48.0
16	24.6	31	49.6
17	25.8	32	50.0
18	27.8	33	52.8
19	29.0	35	54.4
20	30.6	36	55.5
21	32.1	40	61.1
22	34.1	44	67.5
23	36.9	48	77.0
		118	7.9

Table- IV

Dash No.	ØR +0.4	Dash No.	ØR +0.4
095	7.9	108	32.2
100	9.9	209	33.3
101	13.1	110	35.3
102	14.8	210	36.5
103	16.3	111	38.6
104	18.0	211	39.0
105	19.5	112	41.7
205	20.0	113	44.9
106	22.2	213	46.0
206	23.0	114	48.0
107	25.8	214	49.2
207	28.0	115	52.8
108	29.0	116	61.1
308	30.2	117	63.6
208	30.6		

Table- III





For Other Details & Connector Specifications Refer Our 62IN Catalogue

All Dimensions are in mm

Shell Size	$\phi$ 'A' Min.	$\phi$ 'B'	$\phi$ 'C' Max	$\phi$ 'D' $\pm 0.25$	$\phi$ 'J' $\pm 0.25$	'L' LENGTH
08	12.22	17.60	22.66	13.13	14.69	76.20
10	15.29	20.35	26.84		17.86	
12	19.33	24.50	29.01		22.64	
14	22.48	27.90	32.19		25.81	88.90
16	25.05	31.07	36.94		28.99	
18	28.85	33.33	39.70		32.16	
20	32.0	36.89	42.85	35.35	101.60	
22	35.18	40.06	45.65	38.51		
24	38.35	43.14	48.82	41.68		

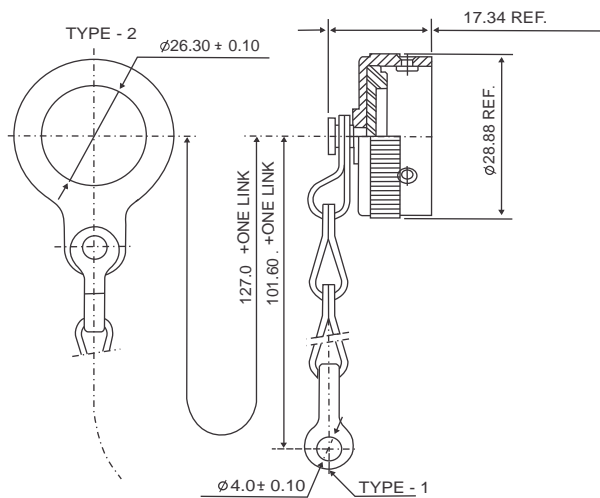
All Dimensions for reference only

### Ordering Information

62IN-1069-10-XXX



## MIL-C 1054 Dust Cap for 10 Pin Audio Connector

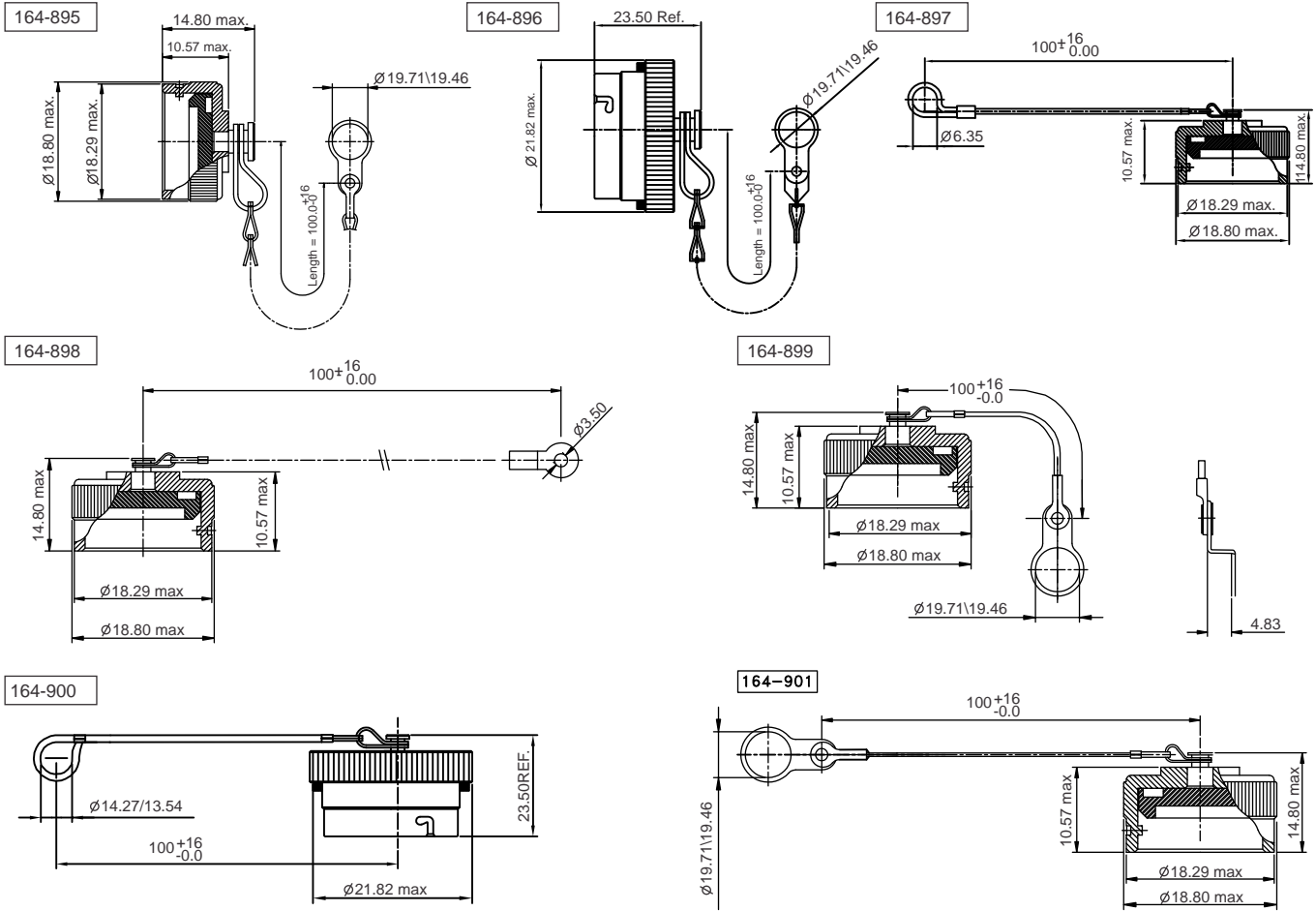


All dimensions in mm

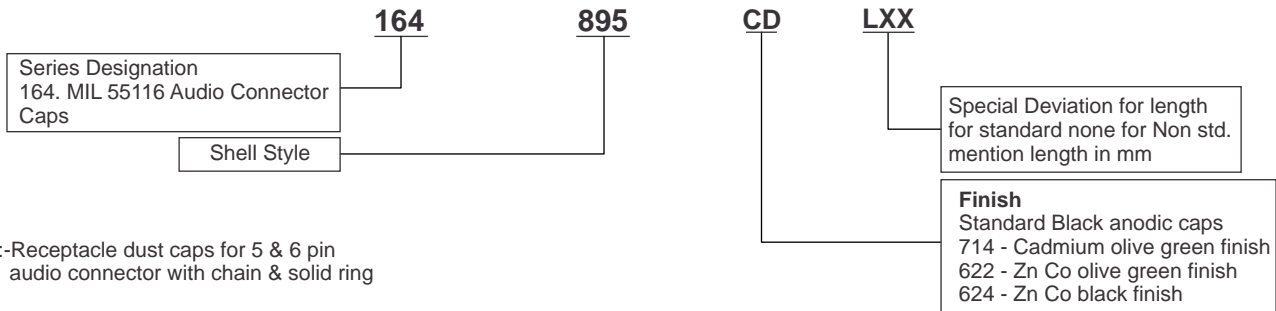
Table 1

Dust Cap No.	Link Type	Cap Finish
164-377	Type-2	Black Anodised
164-377-714	Type-2	Cadmium Plate with Electroless Under Coat
164-377-01	Type-1	Black Anodised
164-377-01-714	Type-1	Cadmium Plate with Electroless Under Coat

# MIL DTL - 55116 Protective Caps For Audio connector (5 & 6 Pin)



## ORDERING INFORMATION FOR 164 DUST CAP



895:-Receptacle dust caps for 5 & 6 pin audio connector with chain & solid ring

896:-Plug dust caps for 5 & 6 pin audio connector with chain & solid ring

897:-Receptacle dust caps for 5 & 6 pin audio connector with nylon rope & loop

898:-Receptacle dust caps for 5 & 6 pin audio connector with nylon rope & SS lug

899:-Receptacle dust caps for 5 & 6 pin audio connector with SS rope & lug

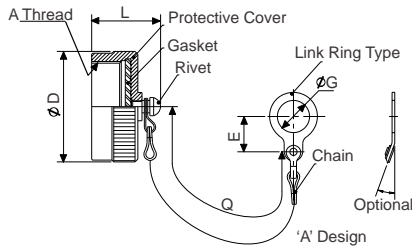
900:-Plug dust caps for 5 & 6 pin audio connector with SS rope & loop

901:-Receptacle dust caps for 5 & 6 pin audio connector with nylon rope & solid ring

### MATERIAL

Cover : Machined Alluminium Alloy  
Gasket : Silicon elastomer  
Chain : Stainless steel passivated  
Ring : Stainless steel passivated  
SS Rope : Stainless steel teflon coated  
Rope : Nylon (olive green)  
Fastners : Stainless steel passivated

## Receptacle Dustcap (AQWLD-17349)



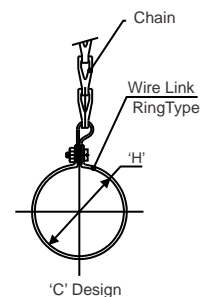
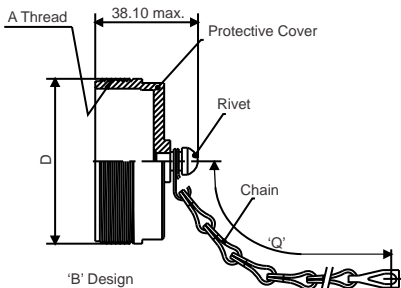
All dimensions are in mm

Amphenol Part No.	MS Part No.	A Thread 2B Double Start	ØD MAX.	E MIN.	L MAX.	ØG MIN.	Q
AQWLD-17349C12*	MS17349C12*	0.875-0.1P-0.2L-DS	27.80	21.10	19.43	25.80	127.00
AQWLD-17349C14*	MS17349C14*	1.000-0.1P-0.2L-DS	31.00	22.10		29.00	
AQWLD-17349C16*	MS17349C16*	1.1250-0.1P-0.2L-DS	34.10	24.60		32.20	
AQWLD-17349C18*	MS17349C18*	1.250-0.1P-0.2L-DS	37.30	25.70		35.30	
AQWLD-17349C20*	MS17349C20*	1.375"-0.1P-0.2L-DS	39.70	28.40	24.90	38.50	152.40
AQWLD-17349C22*	MS17349C22*	1.500"-0.1P-0.2L-DS	42.90	30.20		41.70	
AQWLD-17349C24*	MS17349C24*	1.750-0.1P-0.2L-DS	49.30	33.80		48.00	
AQWLD-17349C28*	MS17349C28*	2.000"-0.1P-0.2L-DS	56.40	37.60		54.40	
AQWLD-17349C32*	MS17349C32*	2.250-0.1P-0.2L-DS	62.70	41.10		60.70	
AQWLD-17349C36*	MS17349C36*	2.500-0.1P-0.2L-DS	69.10	45.00		67.10	
AQWLD-17349C40*	MS17349C40*	2.750-0.1P-0.2L-DS	75.40	48.50	73.40		

\*Add attaching ring A, B, or C.

## Plug Dustcap (AQWLD-17350)

All dimensions are in mm



Amphenol Part No.	MS Part No.	A Thread 2A Double Start	ØD MAX.	ØH MIN.	Q -0.0 +1 LINK
AQWLD-17350C10*	MS17350C10*	0.750-0.1P-0.2L-DS	20.60	18.30	127.00
AQWLD-17350C12*	MS17350C12*	0.875-0.1P-0.2L-DS	23.80	21.40	
AQWLD-17350C14*	MS17350C14*	1.000-0.1P-0.2L-DS	27.00	24.70	
AQWLD-17350C16*	MS17350C16*	1.1250-0.1P-0.2L-DS	30.20	27.70	
AQWLD-17350C18*	MS17350C18*	1.250-0.1P-0.2L-DS	33.30	30.90	152.40
AQWLD-17350C20*	MS17350C20*	1.375"-0.1P-0.2L-DS	36.50	34.00	
AQWLD-17350C22*	MS17350C22*	1.500"-0.1P-0.2L-DS	39.70	37.30	
AQWLD-17350C24*	MS17350C24*	1.750-0.1P-0.2L-DS	46.00	43.60	
AQWLD-17350C28*	MS17350C28*	2.000"-0.1P-0.2L-DS	52.40	50.00	
AQWLD-17350C32*	MS17350C32*	2.250-0.1P-0.2L-DS	58.70	56.30	
AQWLD-17350C36*	MS17350C36*	2.500-0.1P-0.2L-DS	65.10	62.70	
AQWLD-17350C40*	MS17350C40*	2.750-0.1P-0.2L-DS	71.40	70.60	

\*Add attaching ring A, B, or C.

### Series

AQWLD

### Type

AQWLD 17349 - Cap for Receptacle

AQWLD 17350 - Cap for Plug

### Finish

N - Black Anodized (Non-conductive)

C - Cadmium over electroless nickel (Conductive)

### Size

12 | 14 | 16 | 18 | 20 | 22 | 24 | 28 | 32 | 36 | 40

### Design

A - Chain & mounting ring

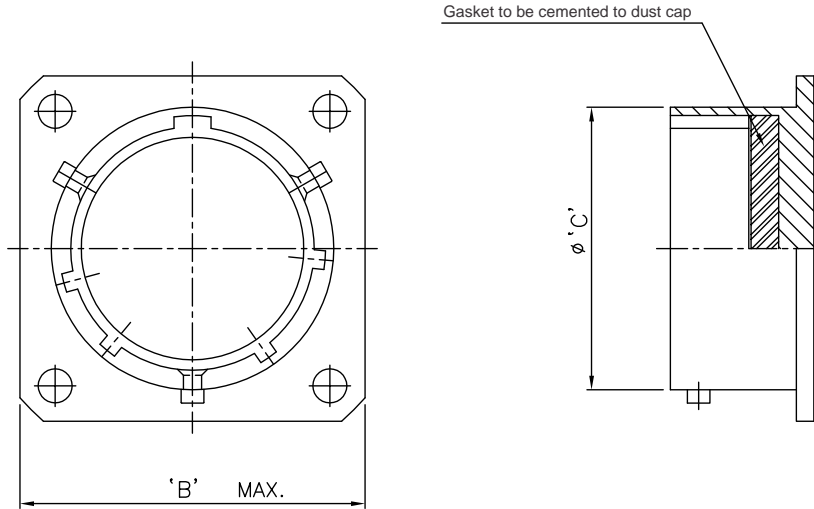
B - Chain without ring

C - Chain with clip

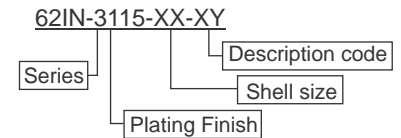
### Ordering Information

AQWLD 49 C 20 A



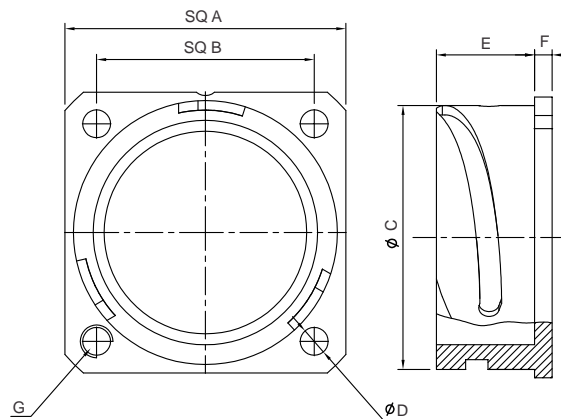


Shell Size	'B' Sq.	'C' ±0.08
08	20.62	11.96
10	23.80	14.94
12	26.59	18.97
14	28.58	22.17
16	31.34	25.32
18	33.32	28.52
20	36.50	31.70
22	39.67	34.87
24	42.85	38.05

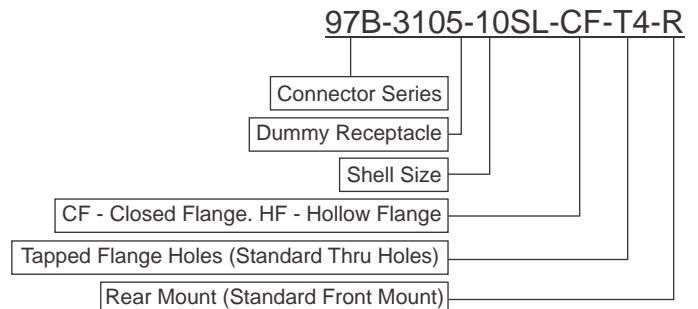


## MIL 5015 Dummy Receptacle Bayonet

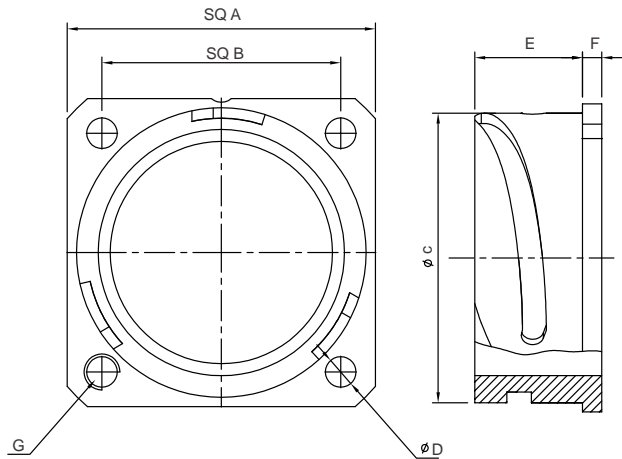
### Front Panel Mounting Dummy Receptacles Rear Side Closed



Part No.	'A' +0.18 -0.20	'B' ±0.13	Ø'C' +0.00 -0.13	Ø'D' +0.10 -0.00	'E' +0.30 -0.00	'F' +0.18	'G'
97B-3105-10SL-CF	25.40	18.20	18.20	3.20	14.20	2.80	M4
97B-3105-14SL-CF	30.00	23.00	23.00	3.20	14.20	3.20	M4
97B-3105-16SL-CF	32.50	24.60	24.60	3.20	14.20	3.20	M4
97B-3105-16-CF	32.50	24.60	24.60	3.20	19.00	3.20	M4
97B-3105-18-CF	35.00	27.00	30.80	3.20	19.00	4.00	M4
97B-3105-20-CF	38.00	29.40	34.20	3.20	19.00	4.00	M4
97B-3105-22-CF	41.00	31.80	37.40	3.20	19.00	4.00	M4
97B-3105-24-CF	44.50	34.90	40.90	3.70	20.60	4.00	M4
97B-3105-28-CF	50.80	39.70	46.70	3.70	20.60	4.00	M5
97B-3105-32-CF	57.10	44.50	53.40	4.30	22.20	4.00	M5
97B-3105-36-CF	63.50	49.20	59.60	4.30	22.20	4.00	M5
97B-3105-40-CF	69.90	55.50	65.50	4.30	22.20	4.00	M5

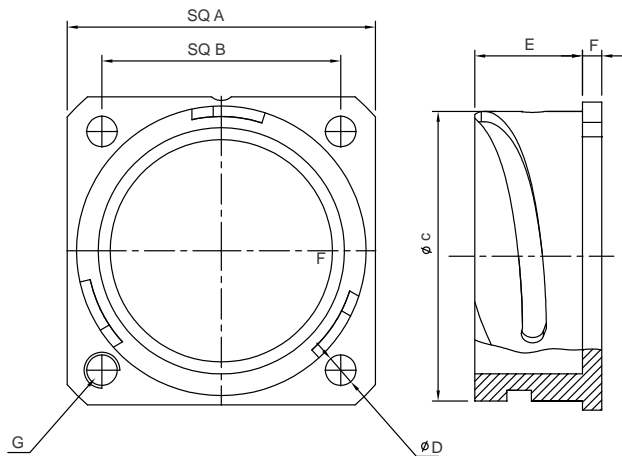


## Front Panel Mounting Dummy Receptacles Rear Side Opened



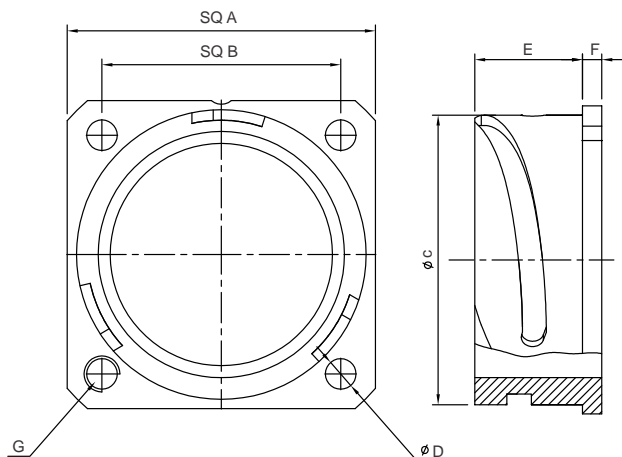
Part No.	'A' +0.18 -0.20	'B' ±0.13	Ø'C' +0.00 -0.13	Ø'D' +0.10 -0.00	'E' +0.30 -0.00	'F' ±0.18	'G'
97B-3105-10SL-HF	25.40	18.20	18.20	3.20	14.20	2.80	M4
97B-3105-14SL-HF	30.00	23.00	23.00	3.20	14.20	3.20	M4
97B-3105-16SL-HF	32.50	24.60	24.60	3.20	14.20	3.20	M4
97B-3105-16-HF	32.50	24.60	24.60	3.20	19.00	3.20	M4
97B-3105-18-HF	35.00	27.00	30.80	3.20	19.00	4.00	M4
97B-3105-20-HF	38.00	29.40	34.20	3.20	19.00	4.00	M4
97B-3105-22-HF	41.00	31.80	37.40	3.20	19.00	4.00	M4
97B-3105-24-HF	44.50	34.90	40.90	3.70	20.60	4.00	M4
97B-3105-28-HF	50.80	39.70	46.70	3.70	20.60	4.00	M5
97B-3105-32-HF	57.10	44.50	53.40	4.30	22.20	4.00	M5
97B-3105-36-HF	63.50	49.20	59.60	4.30	22.20	4.00	M5
97B-3105-40-HF	69.90	55.50	65.50	4.30	22.20	4.00	M5

## Back Panel Mounting Dummy Receptacles Rear Side Closed



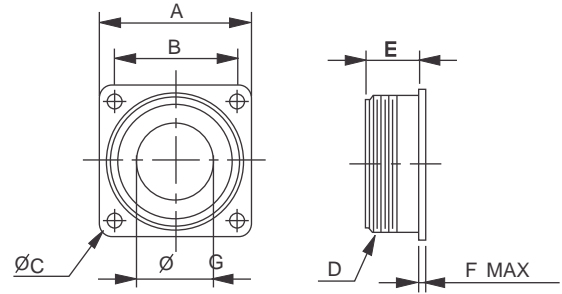
Part No.	'A' +0.18 -0.20	'B' ±0.13	Ø'C' +0.00 -0.13	Ø'D' +0.10 -0.00	'E' +0.30 -0.00	'F' ±0.18	'G'
97B-3105-10SL-CF	25.40	18.20	18.20	3.20	18.30	2.80	M4
97B-3105-14SL-CF	30.00	23.00	24.60	3.20	18.30	3.20	M4
97B-3105-16SL-CF	32.50	24.60	27.40	3.20	18.30	3.20	M4
97B-3105-16-CF	32.50	24.60	27.40	3.20	23.15	3.20	M4
97B-3105-18-CF	35.00	27.00	30.80	3.20	23.15	4.00	M4
97B-3105-20-CF	38.00	29.40	34.20	3.20	23.15	4.00	M4
97B-3105-22-CF	41.00	31.80	37.40	3.20	23.15	4.00	M4
97B-3105-24-CF	44.50	34.90	40.90	3.70	23.15	4.00	M4
97B-3105-28-CF	50.80	39.70	46.70	3.70	24.15	4.00	M5
97B-3105-32-CF	57.10	44.50	53.40	4.30	24.15	4.00	M5
97B-3105-36-CF	63.50	49.20	59.60	4.30	24.15	4.00	M5
97B-3105-40-CF	69.90	55.50	65.50	4.30	24.15	4.00	M5

## Front Back Mounting Dummy Receptacles Rear Side Opened



Part No.	'A' +0.18 -0.20	'B' ±0.13	Ø'C' +0.00 -0.13	Ø'D' +0.10 -0.00	'E' +0.30 -0.00	'F' ±0.18	'G'
97B-3105-10SL-HF	25.40	18.20	18.20	3.20	18.30	2.80	M4
97B-3105-14SL-HF	30.00	23.00	24.60	3.20	18.30	3.20	M4
97B-3105-16SL-HF	32.50	24.60	27.40	3.20	18.30	3.20	M4
97B-3105-16-HF	32.50	24.60	27.40	3.20	23.15	3.20	M4
97B-3105-18-HF	35.00	27.00	30.80	3.20	23.15	4.00	M4
97B-3105-20-HF	38.00	29.40	34.20	3.20	23.15	4.00	M4
97B-3105-22-HF	41.00	31.80	37.40	3.20	23.15	4.00	M4
97B-3105-24-HF	44.50	34.90	40.90	3.70	23.15	4.00	M4
97B-3105-28-HF	50.80	39.70	46.70	3.70	24.15	4.00	M5
97B-3105-32-HF	57.10	44.50	53.40	4.30	24.15	4.00	M5
97B-3105-36-HF	63.50	49.20	59.60	4.30	24.15	4.00	M5
97B-3105-40-HF	69.90	55.50	65.50	4.30	24.15	4.00	M5

## Other Accessories Dummy Receptacle MS-3105



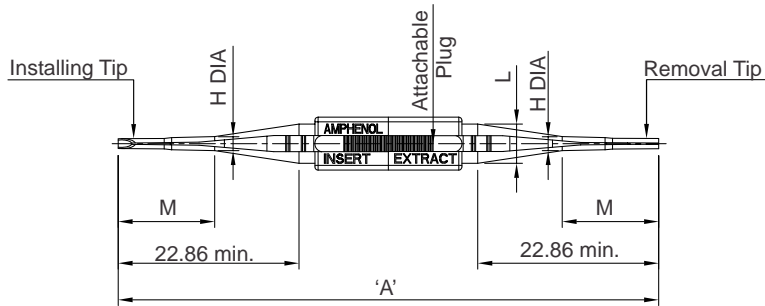
All dimensions are in mm

Part number (see note)	A	B	C	D Thread in inches	E	F max.	G
MS-3105-10S	25.4	18.26	3.05	5/8-24	14.27	3.96	8.20
MS-3105-12S	27.79	20.62	3.05	3/4-20	14.27	3.96	11.43
MS-3105-12	27.79	20.62	3.05	3/4-20	19.05	3.96	11.43
MS-3105-14S	30.17	23.01	3.05	7/8-20	14.27	3.96	13.36
MS-3105-14	30.17	23.01	3.05	7/8-20	19.05	3.96	13.36
MS-3105-16S	32.54	24.61	3.05	1-20	14.27	3.96	16.41
MS-3105-16	32.54	24.61	3.05	1-20	19.05	3.96	16.41
MS-3105-18	34.92	26.97	3.05	1 1/8-18	19.05	5.16	18.03
MS-3105-20	38.10	29.36	3.05	1 1/4-18	19.05	5.16	23.54
MS-3105-22	41.27	31.75	3.05	1 3/8-18	19.05	5.16	25.93
MS-3105-24	44.45	34.92	3.73	1 1/2-18	20.62	5.16	29.21
MS-3105-28	50.8	39.67	3.73	1 3/4-18	20.62	5.16	34.67
MS-3105-36	63.5	49.22	4.39	2 1/4-16	22.2	9.11	46.56

Note: The dash number also indicates shell size.



# Insertion Removal Tool



## Ordering Information

Insertion & Removal Tool

Contact Size

Colour Code

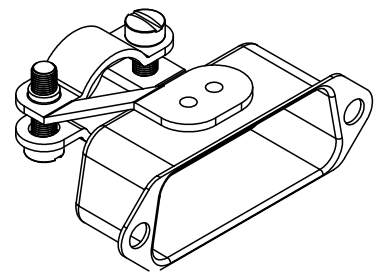
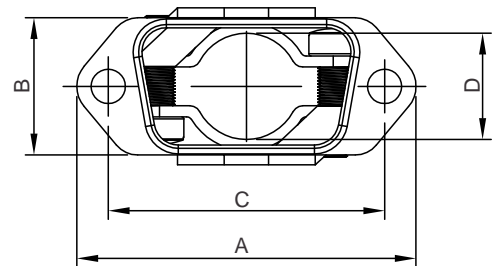
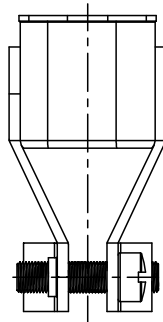
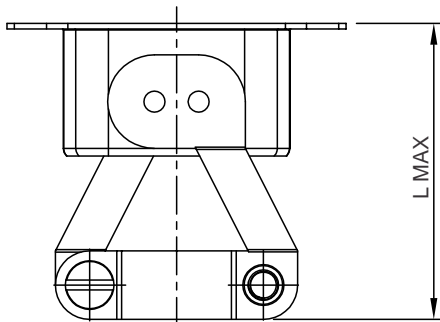
IRT - XXX - XX

SR. NO	MIL Part Number	Amphenol Part Number	Contact Size	Colour Code		'A' max.	'M' min.	'L' max.	'H' max.
				Installing Tip	Removal Tip				
1	M81969/14-01	IRT - 22D -GW	22D	Green	White	114.0	15.24	7.36	2.28
2	M81969/14-11	IRT - 20 -RW	20	Red	White	114.0	19.30	7.36	3.81
3	M81969/14-10	IRT - 20 -RO	20	Red	Orange	114.0	19.30	7.36	3.81
4	M81969/14-03	IRT - 16 -BW	16	Blue	White	114.0	25.40	11.18	5.87
5	M81969/14-04	IRT - 12 -YW	12	Yellow	White	114.0	25.40	11.18	7.29

## Backshell for D - SUB (M24308) Connector

### Backshell For D- Sub (M24308) Connector

#### A. Metallic Straight Cable Housing With Cable Clamp



## Ordering Information

M2000/48 - 2 - X - XX

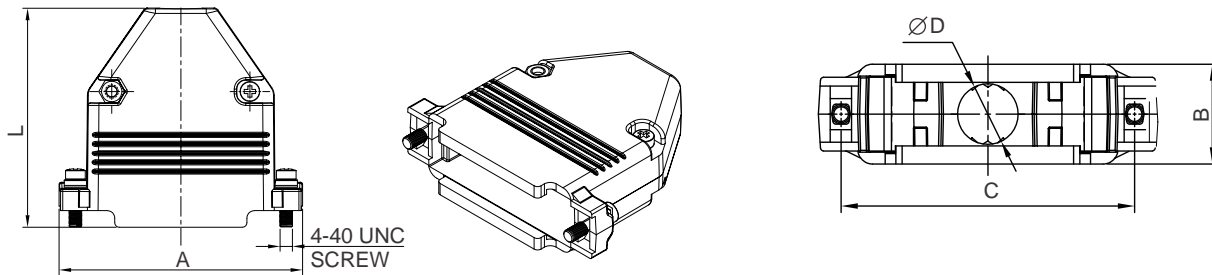
SERIES No. \_\_\_\_\_  
 DASH No. \_\_\_\_\_  
 SHELL SIZE \_\_\_\_\_  
 FINISH DESIGNATOR \_\_\_\_\_

FINISH : F - CADMIUM PLATE WITH YELLOW PASSIVATION  
 Z - ZINC PLATE WITH YELLOW PASSIVATION  
 TI - TIN PLATED

Sr.No.	MIL Part No.	SHELL SIZE	No. of PINS DENSITY		A	B	C	D max	L max
			STD	HIGH					
1	M2000/48-2-1Z	1	9	15	30.70	12.40	24.99	10.30	27.80
2	M2000/48-2-2Z	2	15	26	39.00	12.40	33.32	10.30	27.80
3	M2000/48-2-3Z	3	25	44	52.90	12.40	47.04	15.10	28.60
4	M2000/48-2-4Z	4	37	62	69.20	12.40	63.50	18.30	28.60
5	M2000/48-2-5Z	5	50	78	66.80	15.25	61.11	18.30	28.60



## Hood for D-Sub (M24308) Connector Metal Hood (Straight Entry)



### Ordering Information (Military Part Number)

M2000 / X X-XXXX

Series No.	M2000	X	X-XXXX
Shell Size			
Finish Designator			
Type-	MH- Metal Hood (Straight Entry) MHA- Metal Hood (Angle Entry) PH- Plastic Hood (Straight Entry) PHA- Plastic Hood (Angle Entry) MPH- Metallized Plastic Hood (Straight Entry) MPHA- Metallized Plastic Hood (Angle Entry)		

All Dimensions are in mm

Sr. No.	Shell Size	No. of Pins Density		'A'	'B'	'C'	'D'	'L'
		Std.	High					
01	01	09	15	31.50	15.60	24.99	6.00	47.60
02	02	15	26	40.80	15.60	33.30	10.00	48.20
03	03	25	44	54.20	16.00	47.00	10.00	48.80
04	04	37	62	69.20	16.00	63.50	10.20	48.60
05	05	50	78	67.10	18.00	61.10	12.30	48.60

\* For angle entry please contact factory.

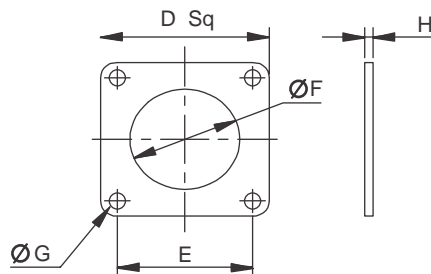
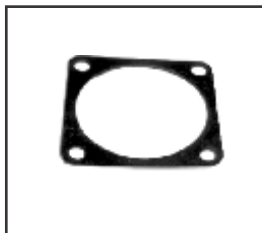
Finish-  
 Z- Zinc Plate with yellow passivation  
 F- Cadmium Plate with yellow passivation

For nickel plated no suffix is required.

## Flange Mounting Gasket

### 62IN-760-XX

(Replace XX With The Required Shell Size)



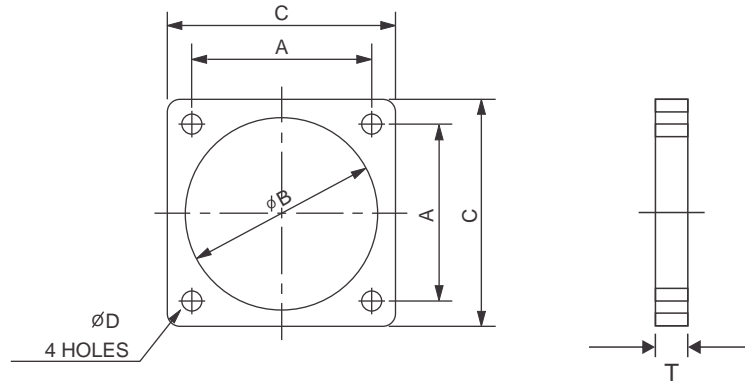
All dimensions in mm

Shell size	D	E	F Dia	G Dia	H max
8	20.62	15.08	12.90	3.30	1.06
10	23.82	18.26	16.07	3.30	1.06
12	26.18	20.65	19.25	3.30	1.06
14	28.57	23.01	22.42	3.30	1.06
16	30.96	24.61	25.60	3.30	1.06
18	33.32	27.00	28.77	3.30	1.06
20	36.52	29.36	31.95	3.30	1.06
22	39.70	31.75	35.13	3.30	1.06
24	42.87	34.92	38.30	3.96	1.06

## Other Accessories

### Plain Flat Gasket

#### For MS & 97B Flange Mounted Receptacles



All dimensions are in mm

Part number	Shell size	A max	B	C	D	T
MS-101000	10SL	18.26	15.90	25.40	4.35	1.5
MS-108686	12S & 12	20.62	19.05	27.80	4.35	1.5
MS-101001	14S & 14	23.01	22.20	30.15	4.35	1.5
MS-101002	16S & 16	24.61	25.40	32.50	4.35	1.5
MS-101003	18	27.00	28.57	34.90	5.15	1.5
MS-101004	20	29.36	31.75	38.10	5.15	1.5
MS-101005	22	31.75	34.90	41.20	5.15	1.5
MS-108687	24	34.90	38.10	44.45	5.15	1.5
MS-101006	28	39.70	44.45	50.80	5.15	1.5
MS-108688	32	44.45	50.80	57.15	5.55	1.5
MS-101007	36	49.22	55.57	63.50	5.55	1.5
MS-110831	40	55.77	61.92	69.85	5.55	1.5

\*For Conductive and rear Mount Gasket contact factory.

Notice : All information, including illustrations given herein is believed to be accurate at the time of printing. In lieu of design advances, Amphenol reserves the right to change specifications without notice. This publication Dust Cap Accessory Series Connectors ACC11 0717 supercedes all existing Amphenol literature on Dust Cap Accessory Series Connectors.

## NORTH AMERICA

### Sales & Product Support

Amphenol PCD  
72 Cherry Hill Drive  
Beverly, MA 01915 USA  
Tel: +1-978-624-3400  
Fax: +1-978-927-1513  
info@amphenolpcd.com  
www.amphenolpcd.com  
www.backshellworld.com

Amphenol Aerospace Operations  
40-60, Delaware Avenue  
Sidney, NY 13838-1395  
Tel: +1-607-563-5011  
Fax: +1-607-563-5357

Amphenol Canada  
Meford Drive  
Scarborough,  
ON M1B 2X6  
Tel: +416-291-4401  
Fax: +416-292-0647

Amphenol Fiber Systems International  
1300 Central Expressway North  
Suite 100 Allen, Texas 75013, USA  
Tel: +1-214-547-2400  
Fax: +1-214-547-9344

## EUROPE

### France

Amphenol Socapex S.A.S.  
948, Promenade de l'Arve  
Bp29, Thyez Cedex  
74311, France  
Tel: +33-4-5089-2800  
Fax: +33-4-5096-1941

### United Kingdom

Amphenol Limited  
Thanet Way, Whitstable  
Kent CT5 3JF, England  
Tel: +44-1227-773-200  
Fax: 44-1227-276-571

### Germany

Amphenol-Air LB GmbH  
Am Kleinbahnhof 4  
Saarlouis  
D-66740, Germany  
Tel: 49-6831-9810-00  
Fax: 49-6831-9810-30

### Italy

Via Barbaiana 5  
20020 Lainate (Milano)  
Italy  
Tel: +39-02-93254.209  
+39-02-93254.214  
Fax: +39-02-93254-444

### Center & East Europe

Amphenol  
Wiener Gasse 68  
2380 Perchtoldsdorf  
Tel: +43-699-10396071  
Fax: +43 699 40396071

### Amphenol Air-LB

Immeuble Le Doublon  
11, Avenue Dobonnet  
Courbevoie-Cedex  
92407, France  
Ph: +33-1-4905-3000  
Fax: +33-1-4905-3043

### Spain

Amphenol Iberica  
Edificio Burgosol Oficina  
N 55 C/Comunidad de  
Madrid 35 bis -  
Las Rozas (Madrid)  
Tel: +34-91-6407302  
+34-91-6407306  
Fax: +34-91-6407307

### Austria

Amphenol Austria  
Wiener Gasse 68  
2380, Erchtoldsdorf,  
Austria  
Tel: + 43-69910396071  
Fax: + 43-69940306071

### Holland

Amphenol Benelux  
Zadelmaker 121  
NL-2401 PD Alphen  
aan den Rijn Holland  
Tel: +31-172-444903  
Fax: +31-172 240254

### Sweden

Amphenol  
Industrial and Military & Aerospace  
Nordic & Baltic  
Military Phone/Mobile+46702129200  
Industrial +46 767909560

## ASIA

### India

Amphenol Interconnect India Pvt. Ltd.  
105 Bhosari Industrial Area  
Pune-411026, India  
Tel: +9120-3068-8305  
Fax: +9120-2712-9158

### Japan

Amphenol Japan  
471-1, Deba, Ritto City  
Shiga 520-3041, Japan  
Tel: +81-77-553-8501  
Fax: +81-77-551-2200

### Singapore

Amphenol East Asia Ltd.  
72 Bendemeer Road  
# 03-33 Luzerne  
Singapore 339 941  
Tel: 65-6294-2128  
Fax: 65-6294-3522

### China

Amphenol PCD Shenzhen  
3/F Building, A4 Songbai  
Industrial Park  
East Road of Minghuan  
Gongming Town, Baon District  
Shenzhen, China  
Tel: +86-755-8173-8000  
Fax: +86-755-8173-8180

Amphenol Interconnect India Pvt. Ltd.  
61 Electronics City  
Bangalore-560 100, India  
Ph: +9180-2852-3838  
Fax: +9180-2852-0418

### Korea

Amphenol Daeshin Electronics  
558 SoSa, SongNae, Bucheon-City  
Kyunggi-Do, Korea 420-130  
Tel: +82-32-610-3800  
Fax: +92-32-673-2507

## ROW

### Australia

Amphenol Australia Pty Ltd  
2 Fiveways Boulevard  
Keysborough  
VIC 3173  
Ph: +61-3-8796-8888  
Fax: +61-3-8796-8801

### Africa

Amphenol South Africa  
30 Impala Road  
2196 Sandton-Chistlehurst  
South Africa  
Tel: +27-11-783-9517  
Fax: +27-11-783-9519

### Russia

Amphenol Russia  
8-2 Yaroslavskaja Str  
129164 Moscow, Russia  
Tel: +7-495-937-6341  
Fax: +7-495-937-6319

### Argentina

Amphenol Argentina  
Avenida Callao 930  
2nd Floor, Office B Plaza  
C1023AAP Buenos Aires  
Argentina  
Tel: 54-11-4815-6886  
Fax: 54-11-4814-5779

### Israel

Bar-Tec Ltd.  
P.O. Box 279  
Kfar Sava, 44102 Israel  
Tel: +972-9-7644100  
Fax: +972-9-7674324

### Maslak

34396 Istanbul  
Tel: +90-212-335-2501  
Fax: +90-212-335-2500

### Brazil

Amphenol do Brasil Ltda  
Rua Diogo Moreira 132  
CEP 05423-010  
Sao Paulo-SP, Brazil  
Tel: +55-11-3815-1003  
Fax: +55-11-3815-1629

# Amphenol

*A Global Company*

