

87499-5 ✓ ACTIVE

AMPMODU | AMPMODU IV/V

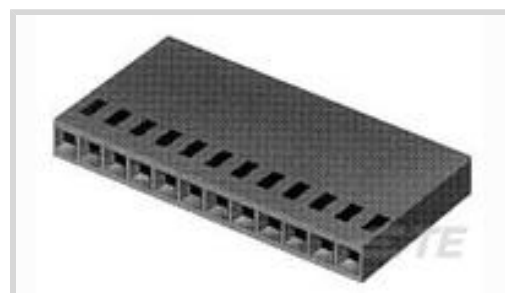
TE Internal #: 87499-5

AMPMODU IV/V, Housing, Receptacle, Wire-to-Board, 3 Position, 2.54mm [.1in] Centerline, Crimp, 1 Row, Row-to-Row Spacing .1 in [2.54 mm]

[View on TE.com >](#)



Connectors > PCB Connectors > Wire-to-Board Connectors > Wire-to-Board Connector Assemblies & Housings



Connector Product Type: **Housing**

Connector & Housing Type: **Receptacle**

Connector System: **Wire-to-Board**

Number of Positions: **3**

Centerline (Pitch): **2.54 mm [.1 in]**

Features

Product Type Features

Connector Product Type	Housing
Connector & Housing Type	Receptacle
Connector System	Wire-to-Board
Connector & Contact Terminates To	Wire & Cable

Configuration Features

Number of Positions	3
Number of Rows	1

Electrical Characteristics

Termination Resistance	12 mΩ
Insulation Resistance	5000 MΩ
Dielectric Withstanding Voltage (Max)	750 V
Operating Voltage	250 VAC

Contact Features

Contact Layout	Inline
Contact Type	Socket
Contact Base Material	Beryllium Copper
Contact Current Rating (Max)	3 A

Termination Features



Termination Method to Wire & Cable	Crimp
------------------------------------	-------

Mechanical Attachment

Strain Relief	Without
---------------	---------

Mating Retention	Without
------------------	---------

Housing Features

Housing Entry Configuration	Both Ends Closed
-----------------------------	------------------

Housing Material	Thermoplastic
------------------	---------------

Centerline (Pitch)	2.54 mm [.1 in]
--------------------	-----------------

Housing Color	Black
---------------	-------

Dimensions

Connector Length	7.75 mm [.21 in]
------------------	------------------

Connector Height	3.55 mm [.14 in]
------------------	------------------

Row-to-Row Spacing	2.54 mm [.1 in]
--------------------	-----------------

Usage Conditions

Operating Temperature Range	-65 – 105 °C [-85 – 221 °F]
-----------------------------	-----------------------------

Operation/Application

Circuit Application	Signal
---------------------	--------

Industry Standards

Glow Wire Rating	Standard Part - Not Glow Wire
------------------	-------------------------------

Approved Standards	CSA LR7189, UL E28476
--------------------	-----------------------

UL Flammability Rating	UL 94V-0
------------------------	----------

Packaging Features

Packaging Quantity	1
--------------------	---

Packaging Method	Package
------------------	---------

Other

Comment	Cavity identification, AMP, part number and date code stamped on housing where size permits., Contact Extraction/Lance Reset Tool No. 843996-3., Strain reliefs are available and may be purchased separately.
---------	--

Product Compliance

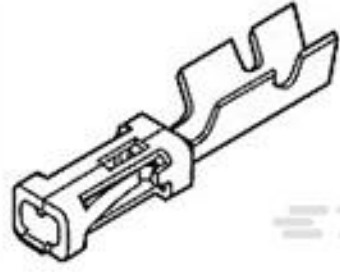
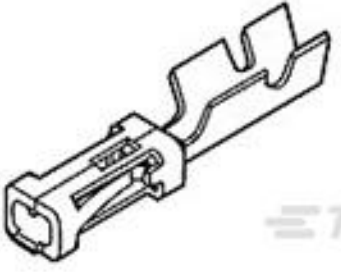
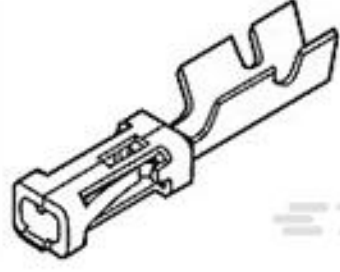
For compliance documentation, visit the product page on [TE.com](https://www.te.com)>

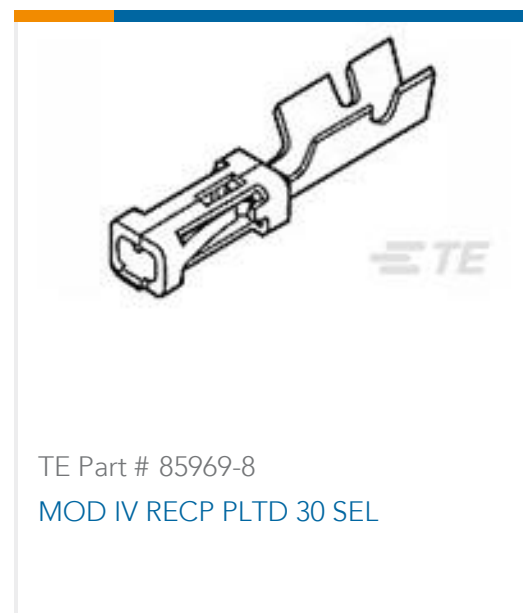
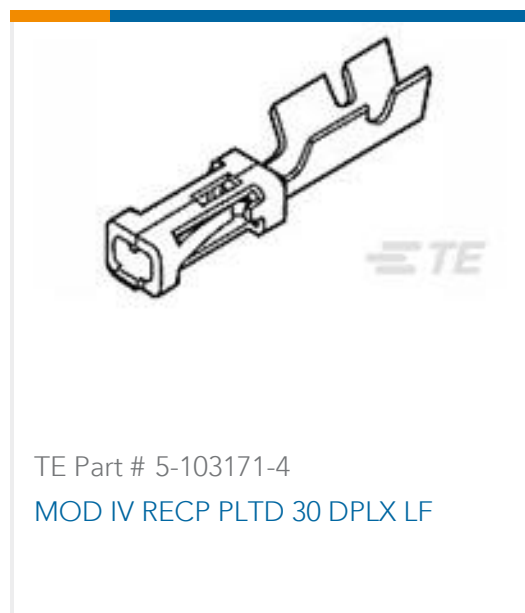
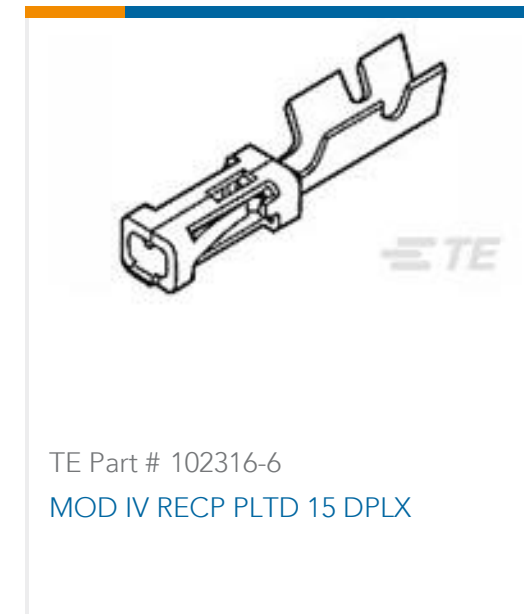
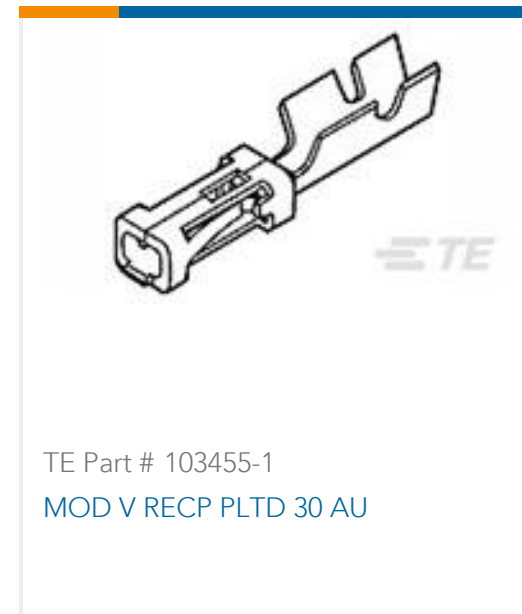
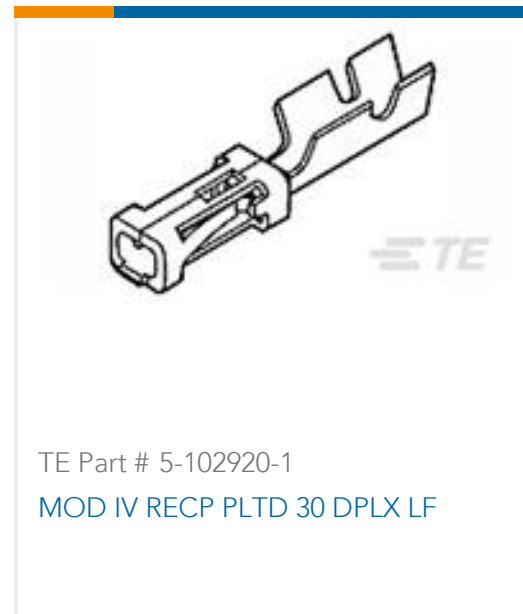
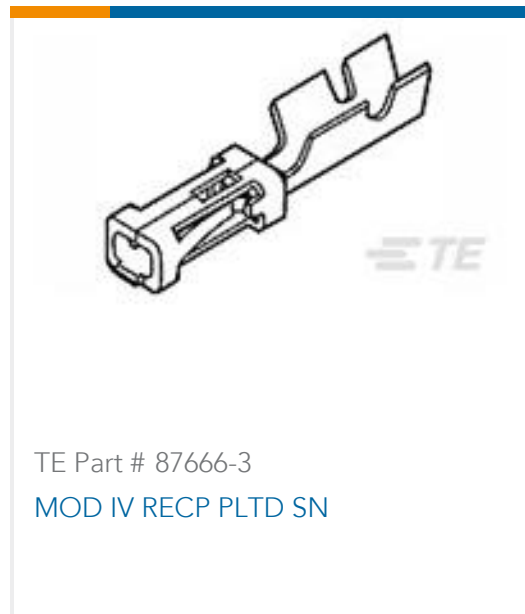
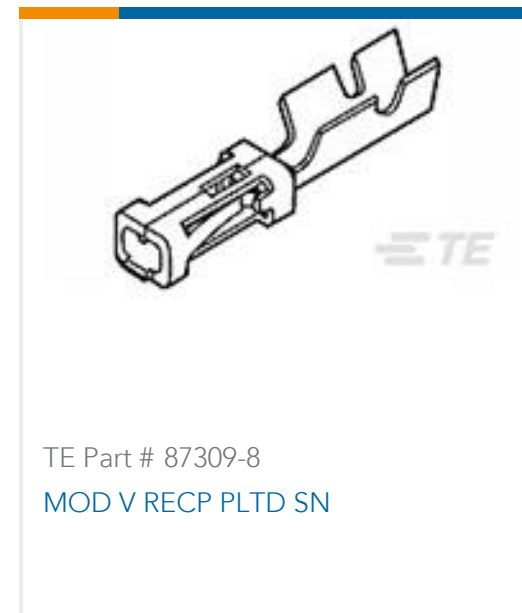
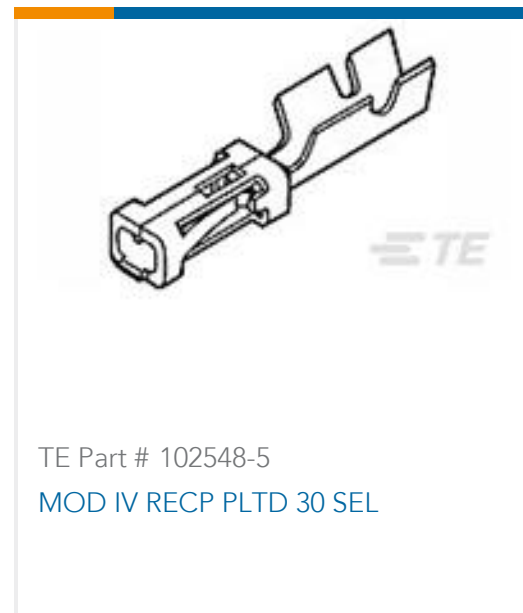
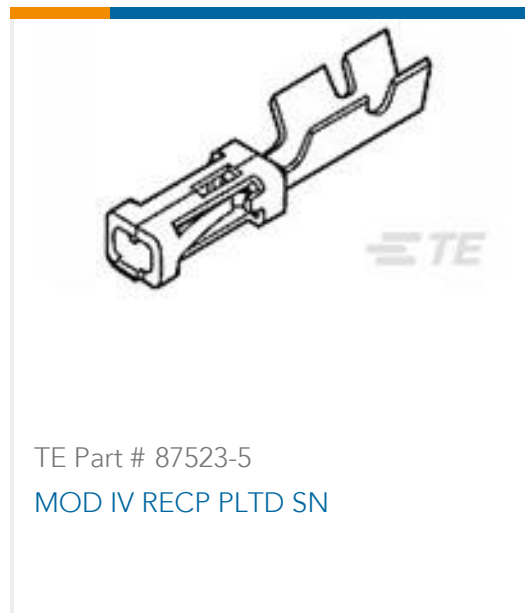
EU RoHS Directive 2011/65/EU	Compliant
EU ELV Directive 2000/53/EC	Compliant
China RoHS 2 Directive MIIT Order No 32, 2016	No Restricted Materials Above Threshold
EU REACH Regulation (EC) No. 1907/2006	Current ECHA Candidate List: JAN 2021 (211) Candidate List Declared Against: JAN 2021 (211) Does not contain REACH SVHC
Halogen Content	BFR/CFR/PVC Free, but Br/Cl >900 ppm in other sources.
Solder Process Capability	Not applicable for solder process capability

Product Compliance Disclaimer

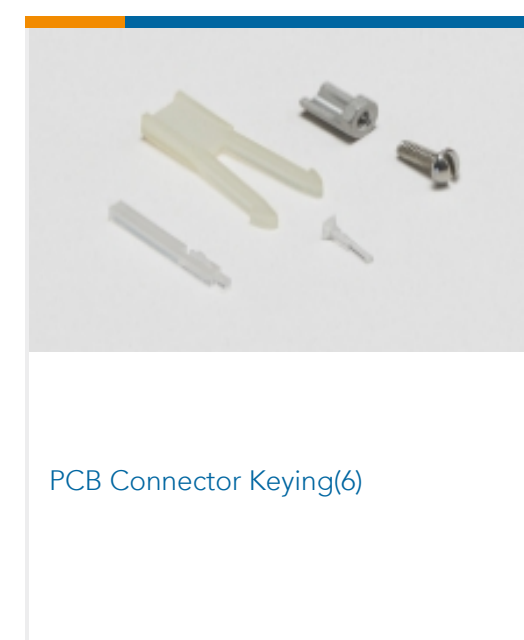
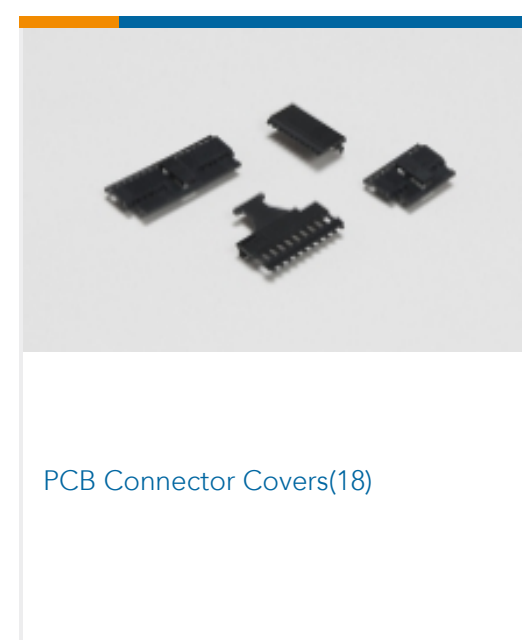
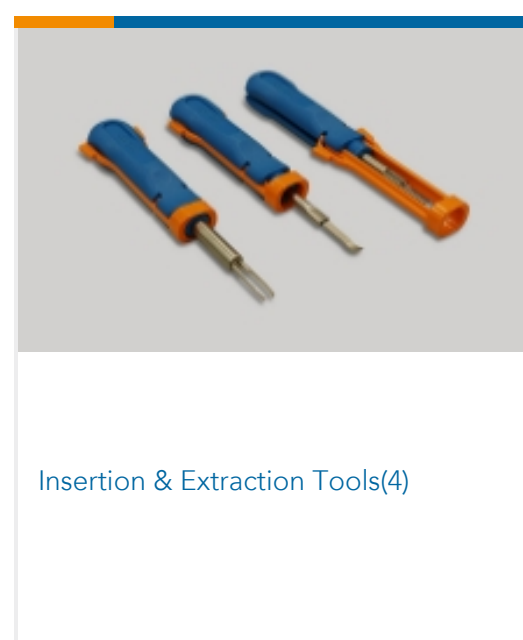
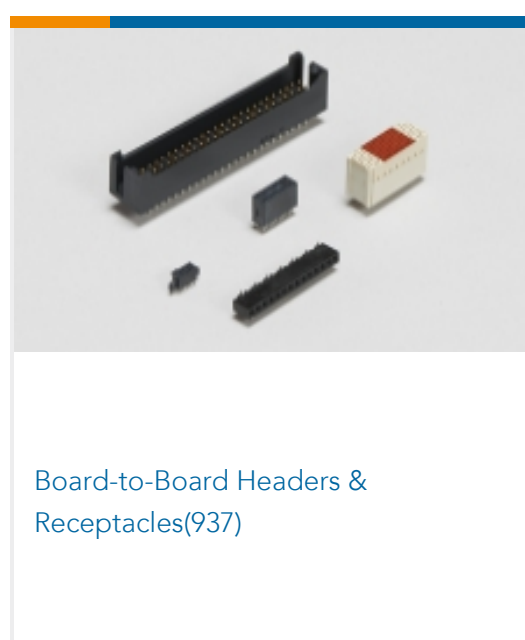
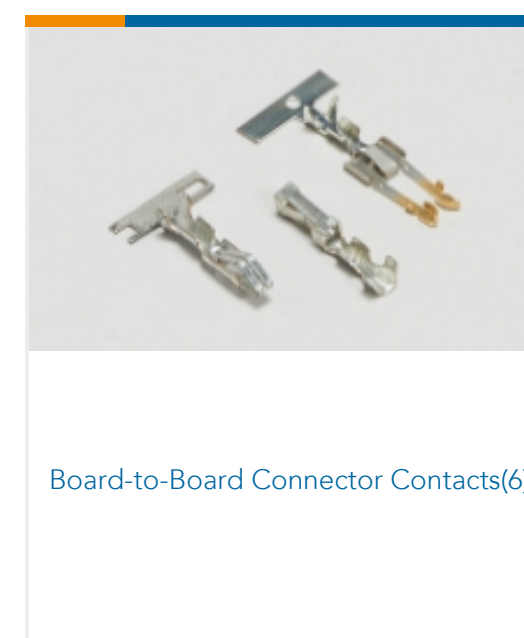
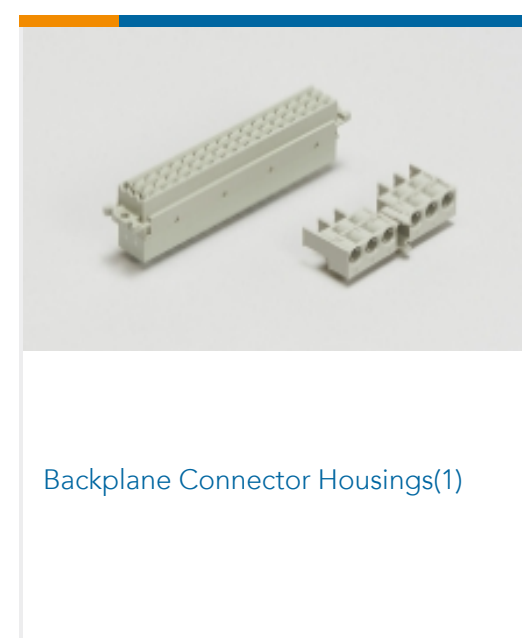
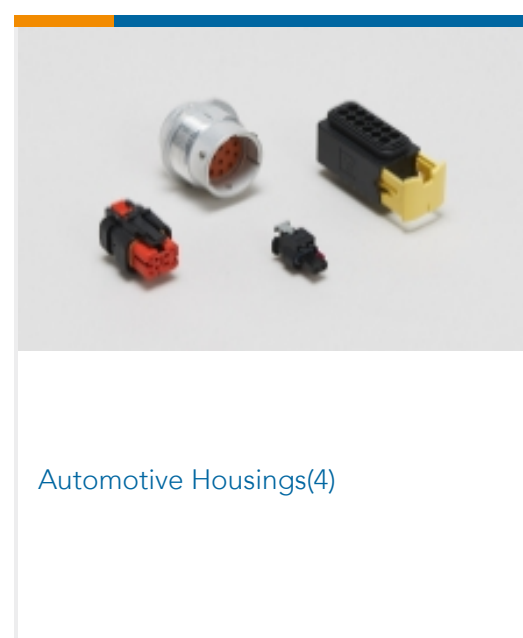
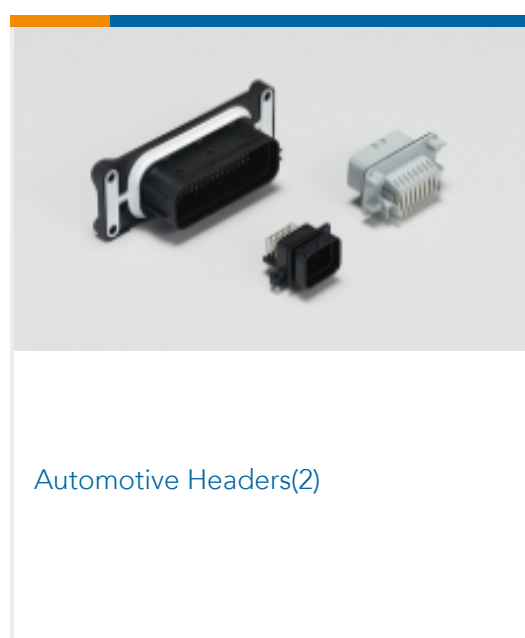
This information is provided based on reasonable inquiry of our suppliers and represents our current actual knowledge based on the information they provided. This information is subject to change. The part numbers that TE has identified as EU RoHS compliant have a maximum concentration of 0.1% by weight in homogenous materials for lead, hexavalent chromium, mercury, PBB, PBDE, DBP, BBP, DEHP, DIBP, and 0.01% for cadmium, or qualify for an exemption to these limits as defined in the Annexes of Directive 2011/65/EU (RoHS2). Finished electrical and electronic equipment products will be CE marked as required by Directive 2011/65/EU. Components may not be CE marked. Additionally, the part numbers that TE has identified as EU ELV compliant have a maximum concentration of 0.1% by weight in homogenous materials for lead, hexavalent chromium, and mercury, and 0.01% for cadmium, or qualify for an exemption to these limits as defined in the Annexes of Directive 2000/53/EC (ELV). Regarding the REACH Regulation, the information TE provides on SVHC in articles for this part number is based on the latest European Chemicals Agency (ECHA) 'Guidance on requirements for substances in articles' posted at this URL: <https://echa.europa.eu/guidance-documents/guidance-on-reach>

Compatible Parts

 <p>TE Part # 87666-2 MOD IV RECP PLTD 30 SEL</p>	 <p>TE Part # 6-87756-7 MOD IV REC STP INT'L SPEC REEL</p>	 <p>TE Part # 87756-6 MOD IV RECP PLTD SN</p>	 <p>TE Part # 2-87195-4 MOD IV RECP PLTE 15 DPLX</p>
 <p>TE Part # 87809-1 MOD V RECP PLTD 30 AU</p>	 <p>TE Part # 6-87756-2 MOD IV RECP PLTD 15 DPLX LF</p>	 <p>TE Part # 87309-9 MOD V RECP PLTD 30 AU</p>	 <p>TE Part # 102917-5 MOD IV RECP PLTD 15 SEL</p>

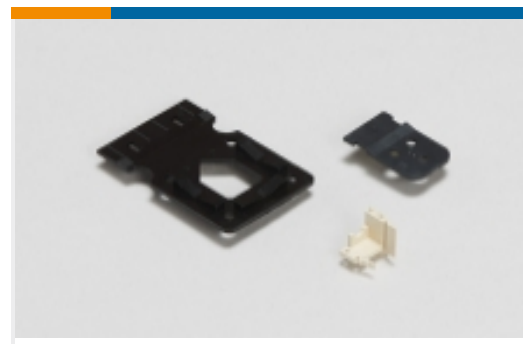


Also in the Series | AMPMODU IV/V

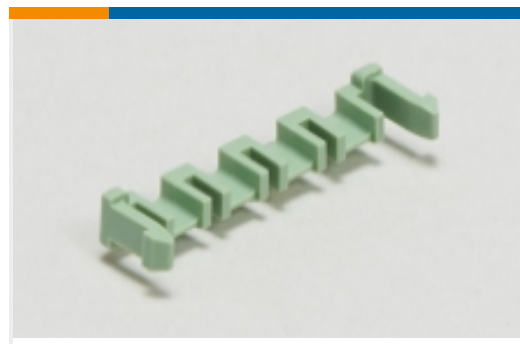




PCB Connector Mounting(1)



PCB Connector Strain Relief(3)



PCB Latches, Locks & Retainers(9)



Rectangular Connector Housings(5)



Standard Rectangular Connectors(8)



Wire-to-Board Connector Assemblies & Housings(472)



Wire-to-Board Connector Contacts (328)

Customers Also Bought



TE Part #1-640250-0
3.96mm Wire-to-board housing: receptacle, with mating alignment, SL 156



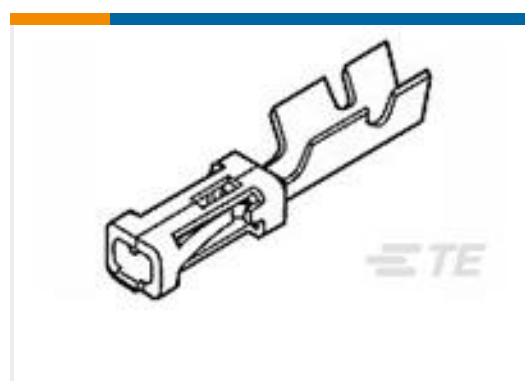
TE Part #91516-1
CCII MOD IV REC 30-20 ASSY



TE Part #1-1757819-0
AMPLIMITE,ASY,PLUG,STD,109,ZN,5, CT



TE Part #1-1617036-2
HFW4A1201K00 = 2100 HFW 4A REL



TE Part #102128-1
MOD V RECP LP



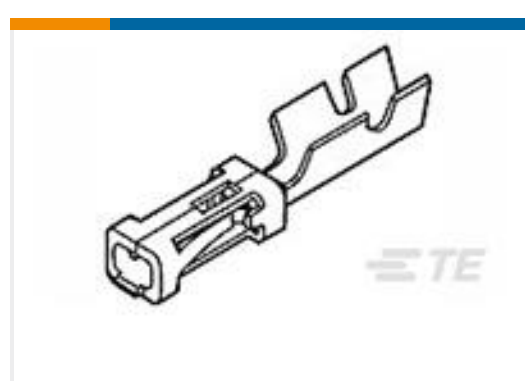
TE Part #1-1658622-0
50 NOVO MIL/CTR 30DP,LEAD FREE



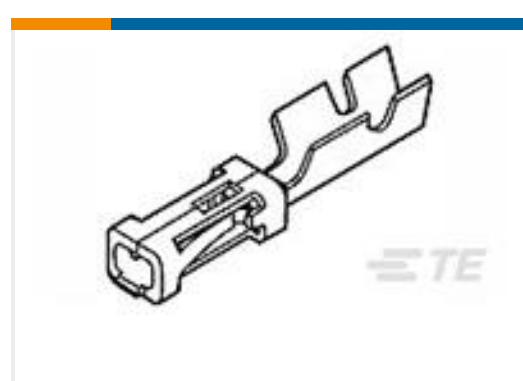
TE Part #1-640388-0
10P MTA156 HDR ASSY RN STR F/L



TE Part #1-794075-1
16P MINI UMNL HDR W/O DH AU LF



TE Part #1-87309-4
MOD V RECP LP



TE Part #1-87523-8
MOD IV RECP PLTD 30 DPLX

Documents



Product Drawings

[03 MODIV HSG SR MRKD .100CL](#)

English

CAD Files

[3D PDF](#)

3D

[3D PDF](#)

English

Customer View Model

[ENG_CVM_87499-5_T.2d_dxf.zip](#)

English

Customer View Model

[ENG_CVM_87499-5_T.3d_igs.zip](#)

English

Customer View Model

[ENG_CVM_87499-5_T.3d_stp.zip](#)

English

Customer View Model

[ENG_CVM_CVM_87499-5_AN.2d_dxf.zip](#)

English

Customer View Model

[ENG_CVM_CVM_87499-5_AN.3d_igs.zip](#)

English

Customer View Model

[ENG_CVM_CVM_87499-5_AN.3d_stp.zip](#)

English

By downloading the CAD file I accept and agree to the [Terms and Conditions](#) of use.

Datasheets & Catalog Pages

[AMPMODU_INTERCONNECTION_SYSTEM_SECTION5_CONT](#)

English

Product Specifications

[Application Specification](#)

English

Product Environmental Compliance

[MD_87499-5_03072013512_dmtec](#)

English

[MD_87499-5_03072013512_dmtec](#)

English

Agency Approvals

[UL Report](#)

English

87499-5

AMPMODU IV/V, Housing, Receptacle, Wire-to-Board, 3 Position, 2.54mm [.1in]
Centerline, Crimp, 1 Row, Row-to-Row Spacing .1 in [2.54 mm]

