

# STEEL BUTTONS WITH DIFFERENT MICROSWITCHES

momentary / latching with green/ red LED light



Our momentary / latching steel push button convinces with high-quality materials, protection classes and ergonomics. It is made of stainless steel and meets the protection classes IP67 (dust and water), IK10 (impact) and PA66 (flame). The protection classes, the wide temperature range and the durability make our steel push button suitable for many applications. The steel push button has a bright LED ring (red / green).

Due to the concave design of the surface, there are no sharp edges. The connecting cables and the sockets have different colours and shapes, so that confusion of the push button variants (22A / 22B / 22C) is impossible.

The necessary connection cables, socket, sealing ring and nut are already included in the scope of delivery.

## MAIN FEATURES

Key and shell material	Stainless steel
Contact material	Silver
Operation mode	Momentary or latching
Protection level	IP67 and IK10
Special feature	High-luminous LED (green / red)
Items delivered	Button, cables

## FURTHER SPECIFICATIONS

LED life	40 000 h
Insulation resistance	$\geq 1000 \text{ M}\Omega$
Breakdown voltage	1000 V AC min
Contact resistance	$\leq 50 \text{ m}\Omega$
Nut torque	5 -14 Nm
Connector material	Flame retardant PA66
Environment temperature	-30 to 80°C

## FURTHER DETAILS

Customs tariff No.	8473302000
--------------------	------------



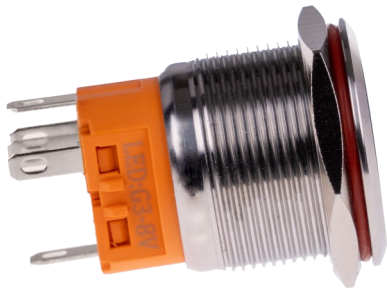
### Attention!

**Work on voltages above 60 V is reserved for qualified electricians. There is a risk of electric shock, which can cause serious injury or death.**

**If the voltage to be switched exceeds the respective LED voltage specified, you must connect the switch so that the voltage is not applied to the LED.**

# STEEL BUTTON WITH MICROSWITCH

Button22A-XXX

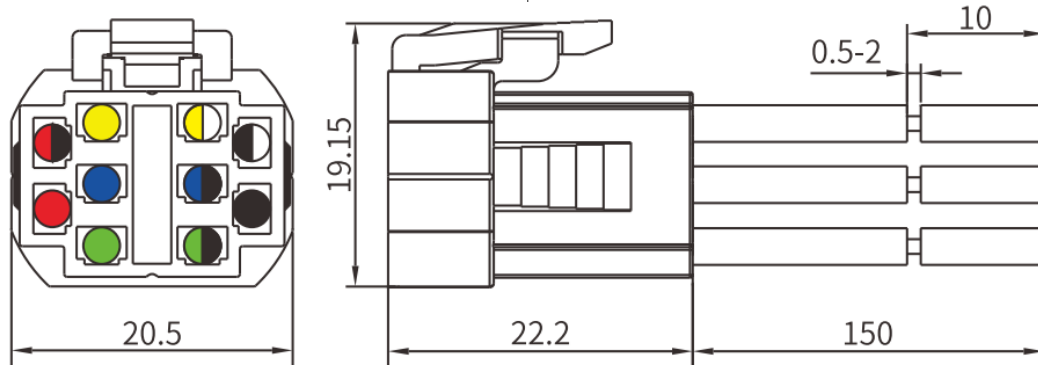
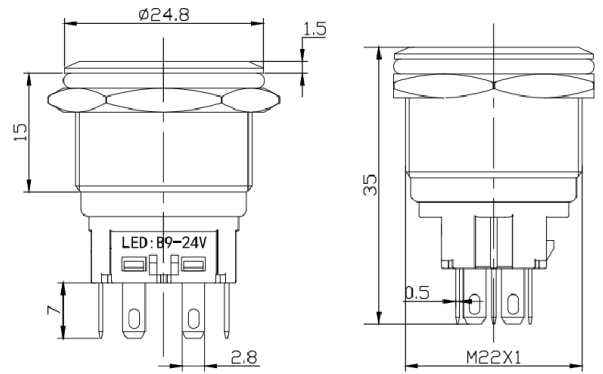
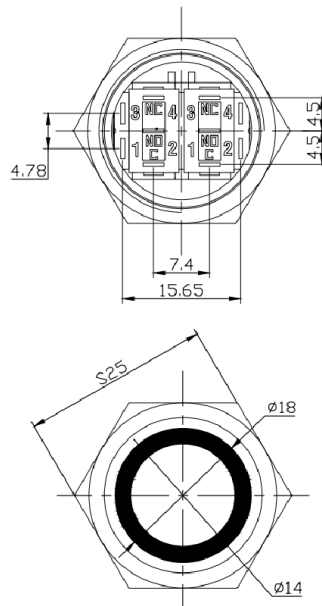
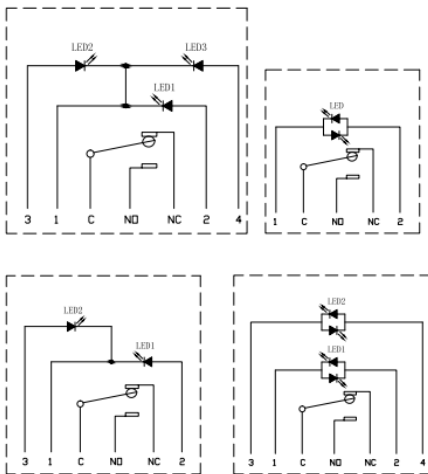


## SPECIFIC INFORMATION

Max. switch current	3 A
LED voltage	3 - 8 V DC
Key depth	3.1 mm
Dimensions of mounting	Ø 22.2 x ≤12 mm
Overall dimensions	Ø 25 x 35 mm
Included cables	5x 150 mm
Connections	COM, NO, NC, 2x LED
Rated load	3 A / 250 V resistive
Pin material	H65 silver-plated

## FURTHER DETAILS

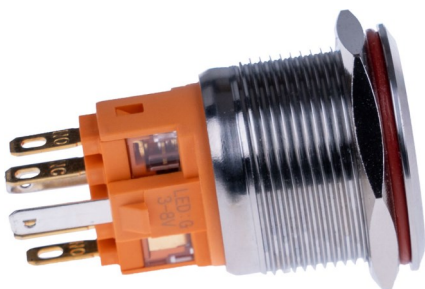
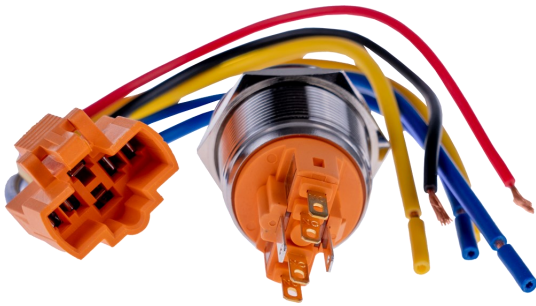
Article No.	Button22A-L-GR (latching / green) Button22A-L-RD (latching / red) Button22A-M-GR (momentary / green) Button22A-M-RD (momentary / red)
EAN	4250236821832 (Button22A-L-GR) 4250236821849 (Button22A-L-RD) 4250236821856 (Button22A-M-GR) 4250236821863 (Button22A-M-RD)



●● LED    ●● Bi-color Tri-color    ●● NC    ●● NO    ●● C

# STEEL BUTTON WITH HIGH CURRENT MICROSWITCH

Button22B-XXX

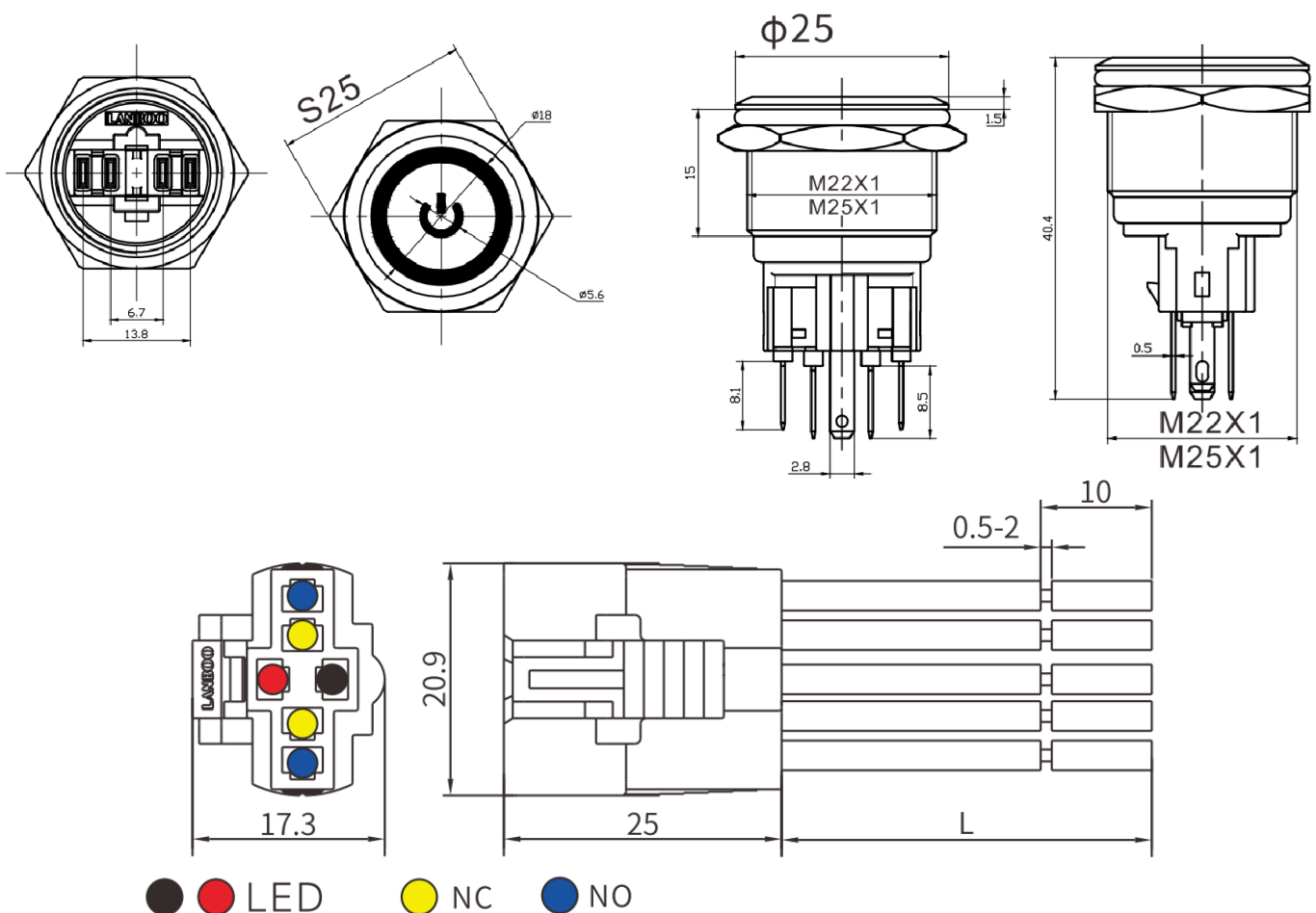


## SPECIFIC INFORMATION

Max. switch current	7 A
LED voltage	3 - 8 V DC
Key depth	3.1 mm
Dimensions of mounting	Ø 22.2 x ≤12 mm
Overall dimensions	Ø 25 x 40.4 mm
Included cables	6x 150 mm
Connections	2x NO, 2x NC, 2x LED
Rated load	7 A / 250 V resistive 2 A / 250 V inductive
Pin material	H65 gold-plated

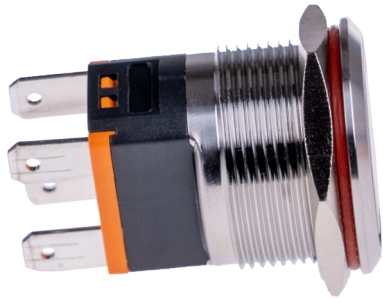
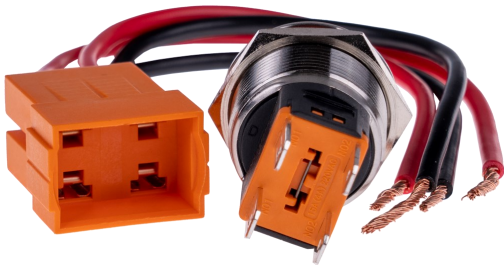
## FURTHER DETAILS

Article No.	Button22B-L-GR (latching / green) Button22B-L-RD (latching / red) Button22B-M-GR (momentary / green) Button22B-M-RD (momentary / red)
EAN	4250236821870 (Button22B-L-GR) 4250236821887 (Button22B-L-RD) 4250236821894 (Button22B-M-GR) 4250236821900 (Button22B-M-RD)



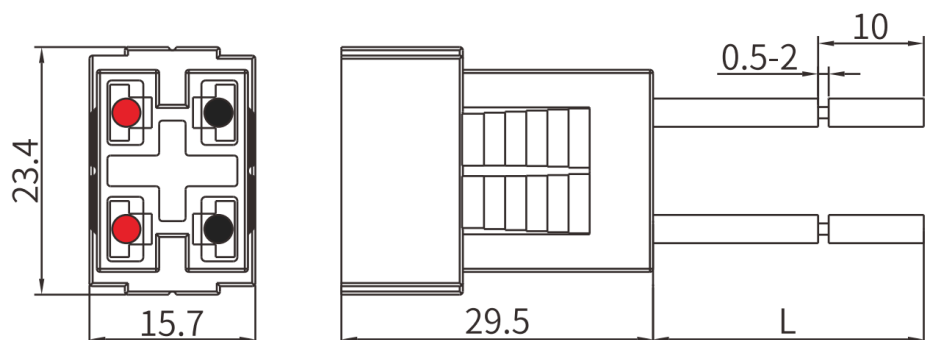
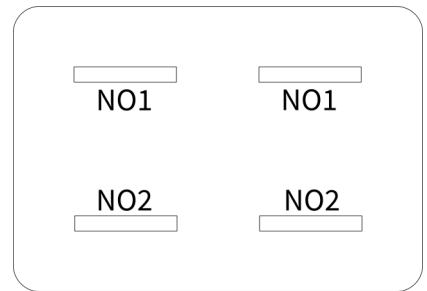
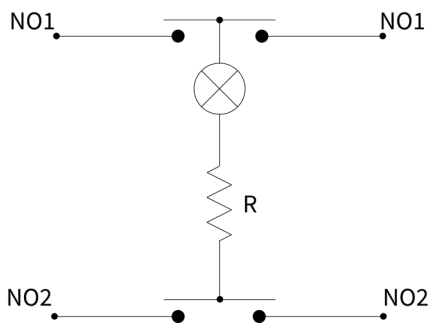
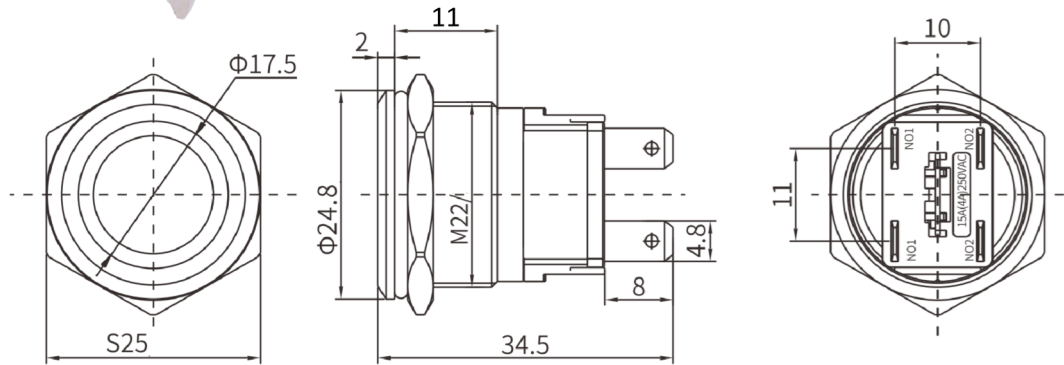
# STEEL BUTTON WITH HIGH CURRENT MICROSWITCH

Button22C-XXX



## SPECIFIC INFORMATION

Max. switch current	15 A
Key depth	3.5 mm
Dimensions of mounting	Ø 22.2 x ≤9 mm
Overall dimensions	Ø 24.8 x 34.5 mm
Included cables	4x 150 mm
Connections	2x NO1, 2x NO2
Rated load	15 A / 250 V resistive 4 A / 250 V inductive
Pin material	H65 silver-plated



## BUTTON22C- XXX WITH LED VOLTAGE 3-8 V DC

### FURTHER DETAILS

Article No.	Button22C-L-GR (latching / green) Button22C-L-RD (latching / red) Button22C-M-GR (momentary / green) Button22C-M-RD (momentary / red)
-------------	--

EAN	4250236821917 (Button22C-L-GR) 4250236821924 (Button22C-L-RD) 4250236821931 (Button22C-M-GR) 4250236821948 (Button22C-M-RD)
-----	--

## BUTTON22C- XXX WITH LED VOLTAGE 220-240 V AC

### FURTHER DETAILS

Article No.	Button22C-01 (latching / green) Button22C-02 (latching / red)
-------------	--

EAN	4250236825151 (Button22C-01) 4250236825168 (Button22C-02)
-----	--