

RE 18326-07/03.16
Replaces: RE 18326-07/06.11

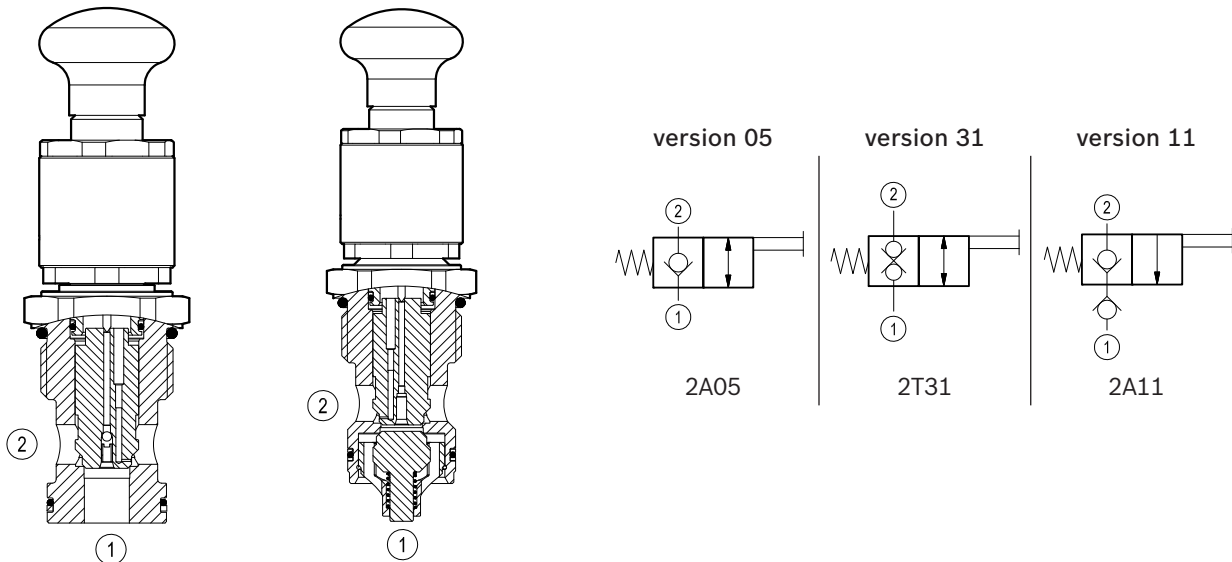
Directional control valves manual operated poppet 2-way normally closed

Special cavity, 021-E



VMI-8A-2A-12-NC

OD.55 - X - 21.37 - Z



General

Weight	kg (lbs)	0.5 (1.1)
Installation orientation		Optional
Ambient temperature range	°C (°F)	-30 to 60 (-22 to 140)

Hydraulic

Max. operating pressure	bar (psi)	350 (5000)
Max. flow	l/min. (gpm)	150 (39)
Max. internal leakage	drops/min.	20
Fluid temperature range	°C (°F)	-20 to 80 (-4 to 176)

Fluids		Mineral-based or synthetics with lubricating properties at viscosities of 20 to 380 mm ² /s (cSt)
Installation torque	Nm (ft-lbs)	80-100 (59-74)
Recommended degree of fluid contamination		Nominal value max. 25µm (NAS 8) ISO 4406 19/17/14
Special cavity		021-E see RE 18325-75
Lines bodies and standard assemblies		Please refer to section "Hydraulic integrated circuit" or consult factory
Seal kit - version 05	code material no.	RG21E201052010 R934003566
Seal kit - version 31	code material no.	RG21E201053010 R934003567
Other technical data		See data sheet RE 18350-50

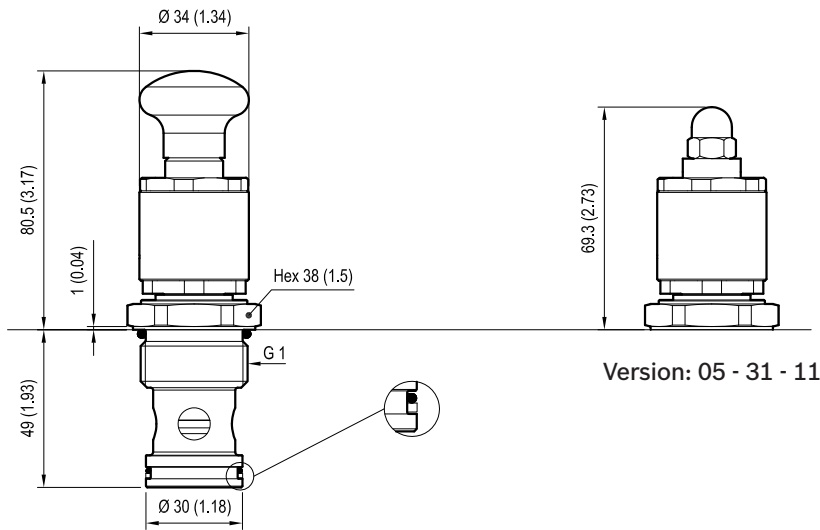
Only for cam-operated valves:

Operating stroke	mm (in)	3 (0.12)
Max. overstroke	mm (in)	0.5 (0.02)

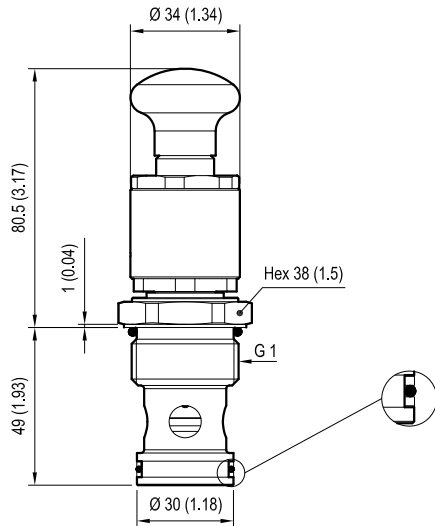
IMPORTANT: When valve is not operated, flow from 1 to 2 is not recommended due to high opening pressure. (version 05)

Dimensions

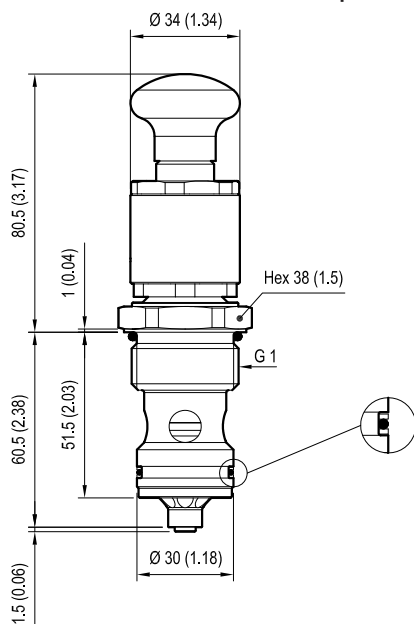
Version 05: Directional control valves manual operated poppet 2-way normally closed - Special cavity



Version 31: Directional control valves manual operated poppet 2-way double lock normally closed - Special cavity



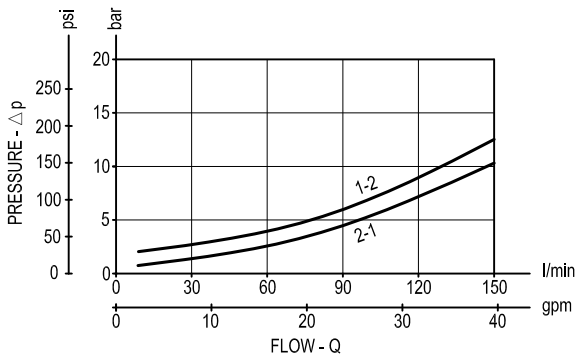
Version 11: Directional control valves manual operated poppet 2-way normally closed - Special cavity



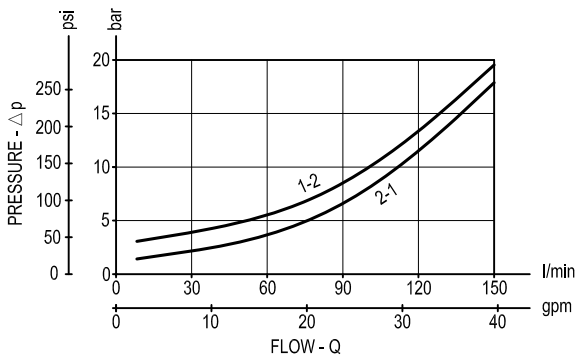
mm (Inches)

Performance graphs

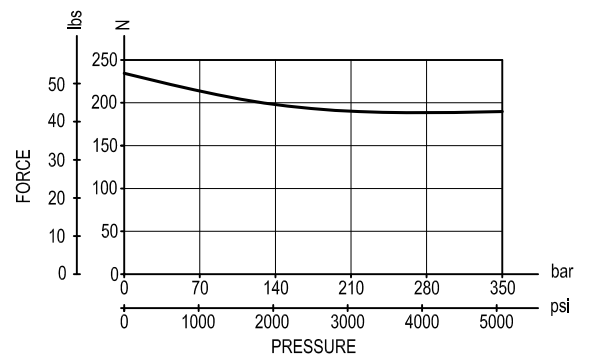
Version 05



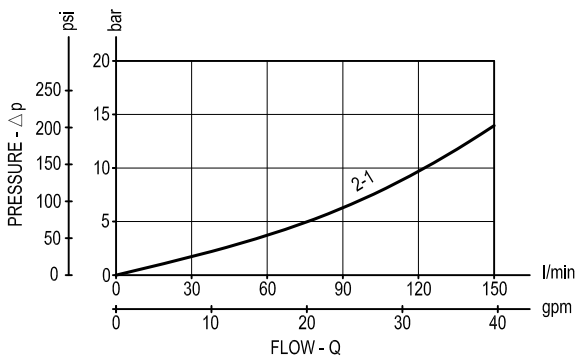
Version 31



Version 05 - 31 - 11



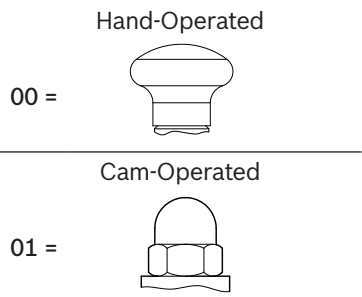
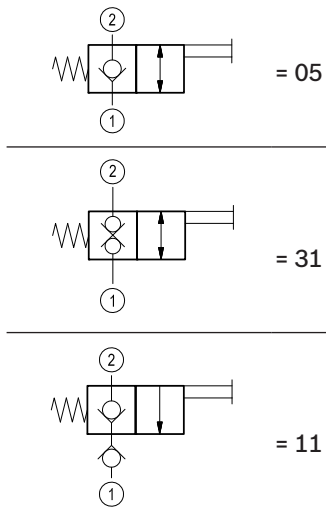
Version 11



Ordering code

OD.55	X	21	37	Z
-------	---	----	----	---

Directional control valves
manual operated poppet
2-way normally closed



Special cavity: 021-E

Type	Material number
OD550521370000	R934001430
OD550521370100	R934001431
OD553121370000	R934001441
OD553121370100	R934001442
OD551121370000	R934004212
OD551121370100	R934004213

Type	Material number