



Technical Data Sheet

Chip LED with Bi-Color(Multi-Color)

11-22/R6SGAC-A30/2T

Features

- Package in 8mm tape on 7" diameter reel.
- Compatible with automatic placement equipment.
- Compatible with infrared and vapor phase reflow solder process.
- Multi-color type.
- Pb-Free.
- The product itself will remain within RoHS compliant version.



Descriptions

- The 11-22 SMD Taping is much smaller than lead frame type components, thus enable smaller board size, higher packing density, reduced storage space and finally smaller equipment to be obtained.
- Besides, lightweight makes them ideal for miniature applications. etc.

Applications

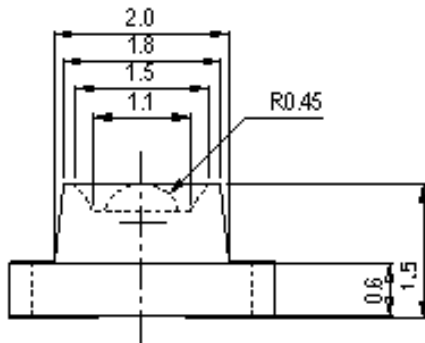
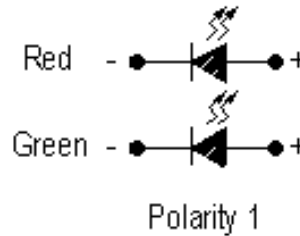
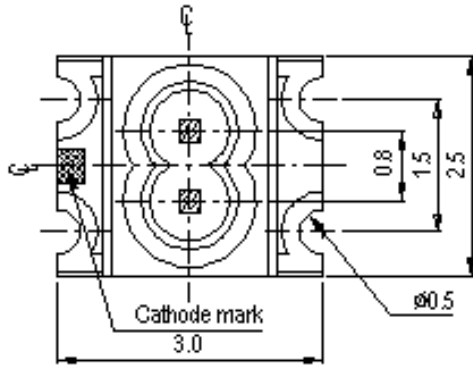
- Backlighting in dashboard and switch.
- Telecommunication: indicator and backlighting in telephone and fax.
- Flat backlight for LCD, switch and symbol.
- General use.

Device Selection Guide

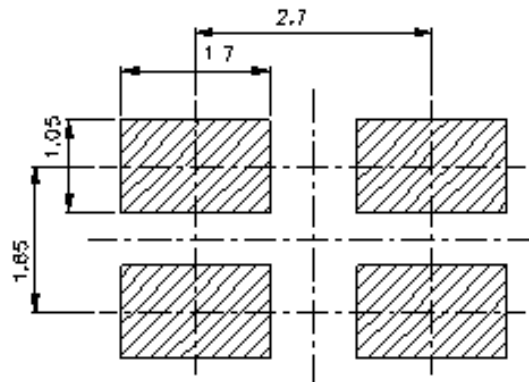
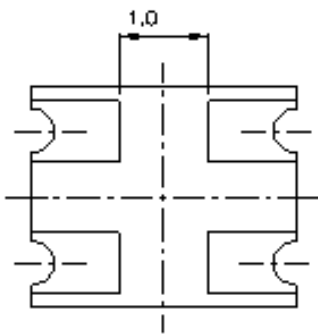
Chip		Emitted Color	Resin Color
Type	Material		
R6S	AlGaInP	Brilliant Red	Water Clear
GA	InGaN	Brilliant Green	

11-22/R6SGAC-A30/2T

Package Outline Dimensions



For reflow soldering (propose)



Notes: Tolerances Unless Dimension ± 0.1 mm, Unit = mm

Absolute Maximum Ratings (Ta=25)

Parameter	Symbol	Rating	Unit
Reverse Voltage	V _R	5	V
Forward Current	I _F	R6S:50 GA:25	mA
Power Dissipation	P _d	R6S:100 GA:100	mW
Peak Forward Current (Duty 1/10 @1KHz)	I _{FP}	R6S:120 GA:110	mA
Electrostatic Discharge(HBM)	ESD	R6S:2000 GA:150	V
Operating Temperature	T _{opr}	-40 ~ +85	
Storage Temperature	T _{stg}	-40~ +90	
Soldering Temperature	T _{sol}	Reflow Soldering : 260 for 10 sec. Hand Soldering : 350 for 3 sec.	

Electro-Optical Characteristics (Ta=25)

Parameter	Symbol	Min.	Typ.	Max.	Unit	Condition
Luminous Intensity	I _v R6S	450	-----	1120	mcd	I _F =20mA
	GA	715	-----	1800		
Viewing Angle	2θ1/2	-----	60	-----	deg	
Peak Wavelength	λ _p R6S	-----	632	-----	nm	
	GA	-----	518	-----		
Dominant Wavelength	λ _d R6S	-----	624	-----	nm	
	GA	-----	525	-----		
Spectrum Radiation Bandwidth	λ R6S	-----	20	-----	nm	
	GA	-----	35	-----		
Forward Voltage	V _F R6S	1.7	2.0	2.4	V	
	GA	2.7	3.3	3.7		
Reverse Current	I _R R6S	-----	-----	10	μA	V _R =5V
	GA	-----	-----	50		

Notes:
1.Tolerance of Luminous Intensity ±11%



11-22/R6SGAC-A30/2T

Bin Range Of Luminous Intensity

R6S

Bin	Min	Max	Unit	Condition
U	450	715	mcd	I _F =20mA
V	715	1120		

GA

Bin	Min	Max	Unit	Condition
V	715	1120	mcd	I _F =20mA
W	1120	1800		

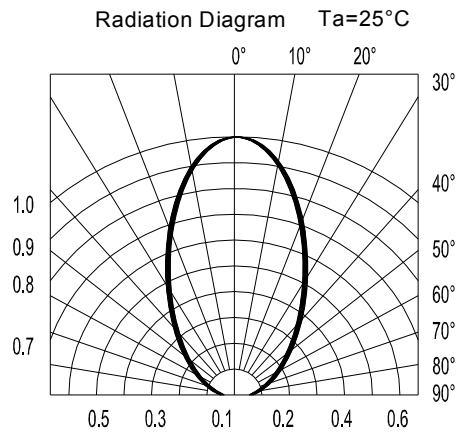
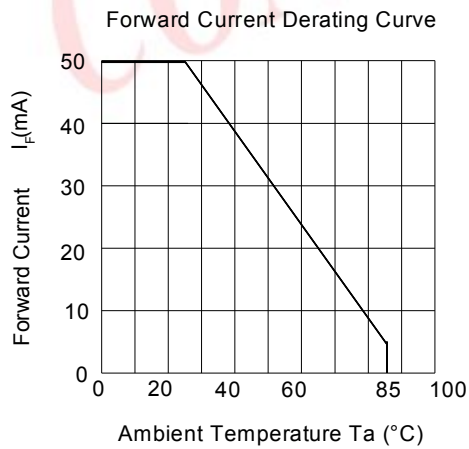
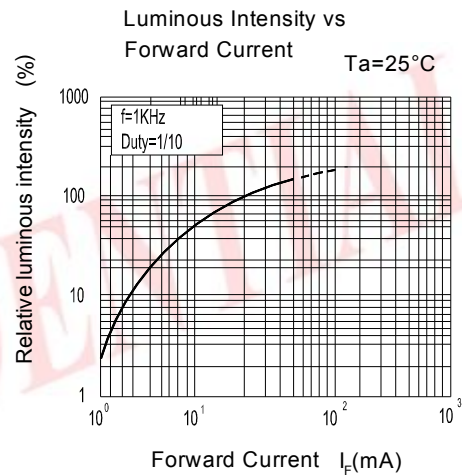
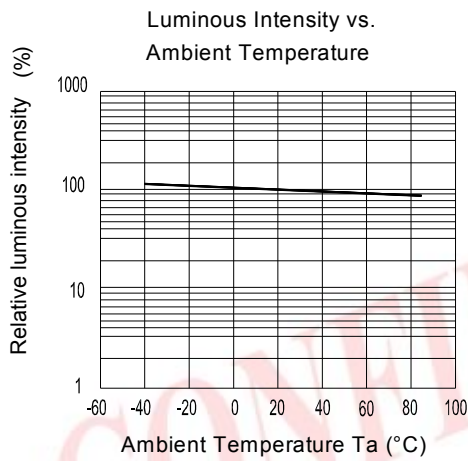
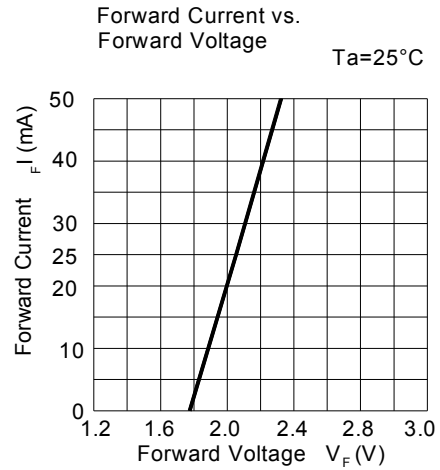
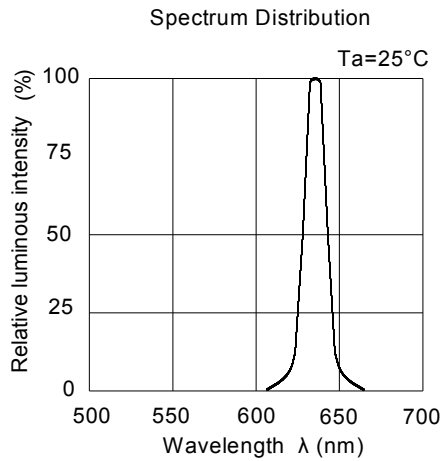
Notes:

1.Tolerance of Luminous Intensity $\pm 11\%$

CONFIDENTIAL

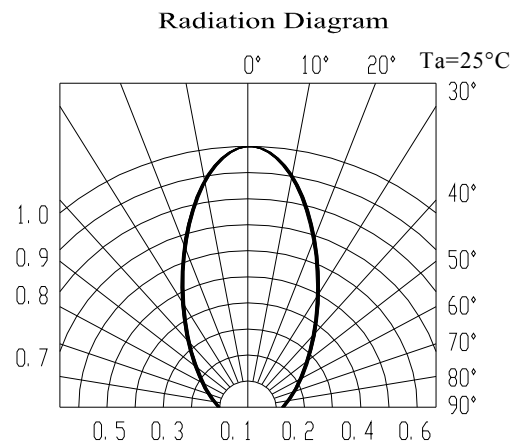
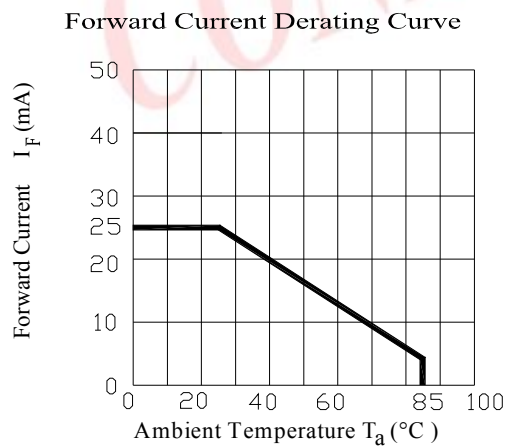
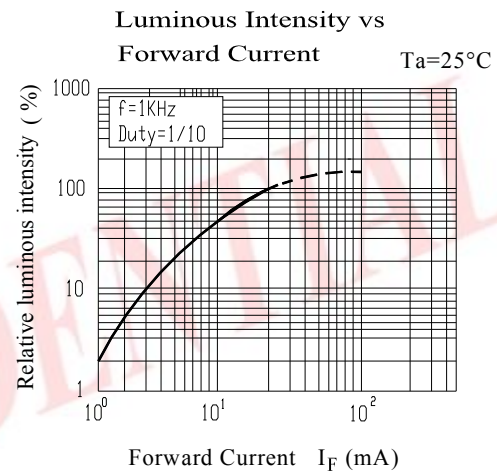
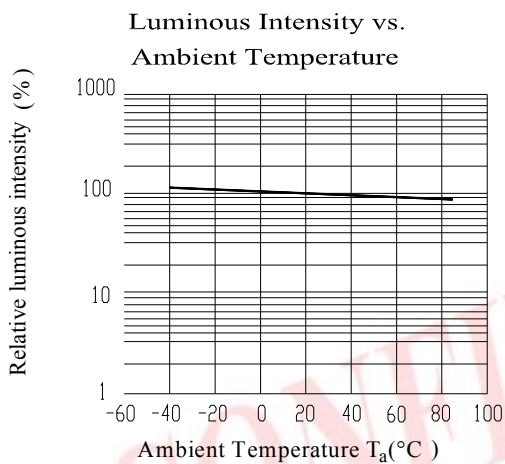
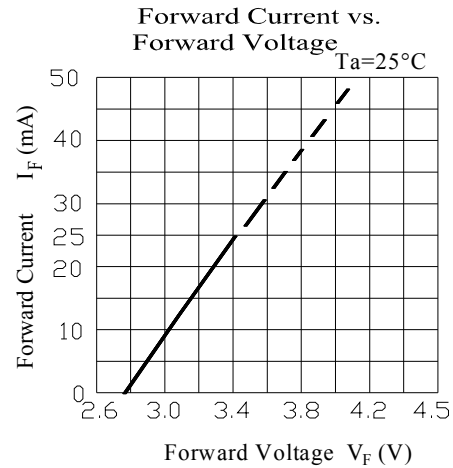
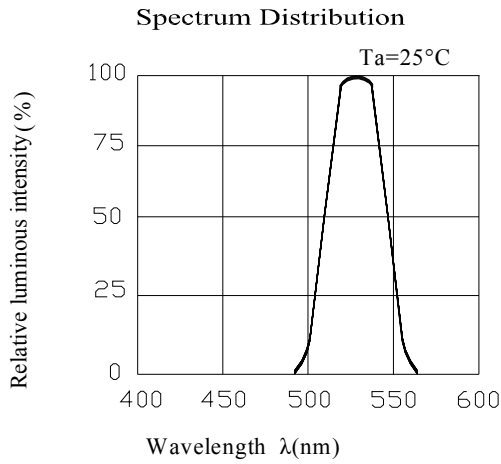
11-22/R6SGAC-A30/2T

**Typical Electro-Optical Characteristics Curves
R6S**



11-22/R6SGAC-A30/2T

**Typical Electro-Optical Characteristics Curves
GA**



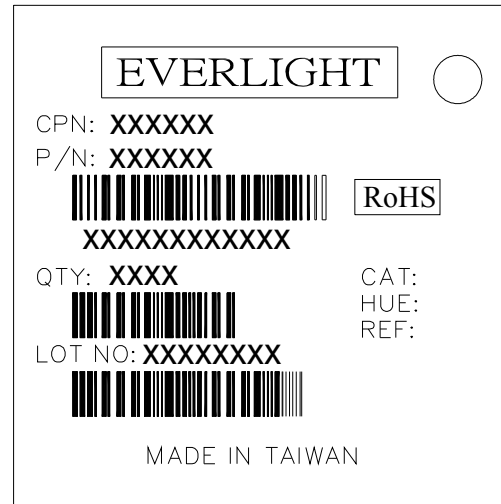
11-22/R6SGAC-A30/2T

Label explanation

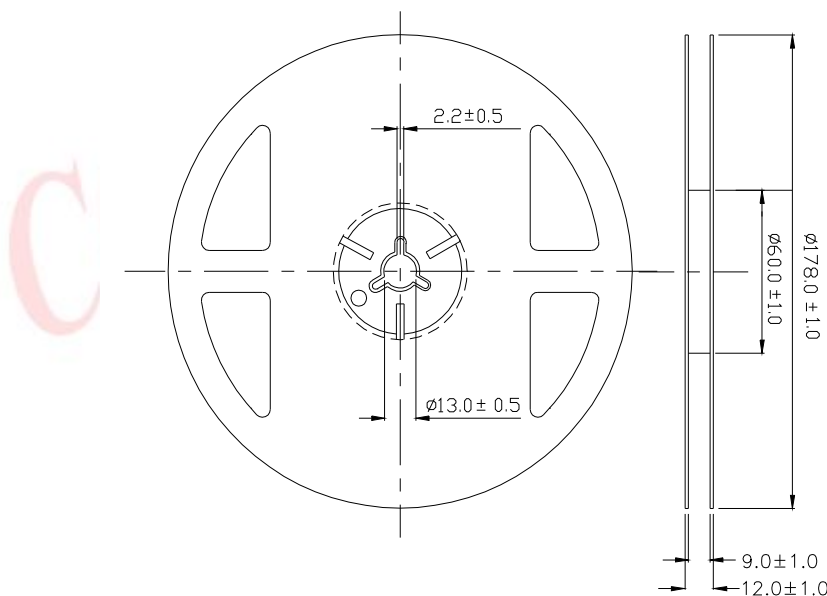
CAT: Luminous Intensity Rank

HUE: Dom. Wavelength Rank

REF: Forward Voltage Rank



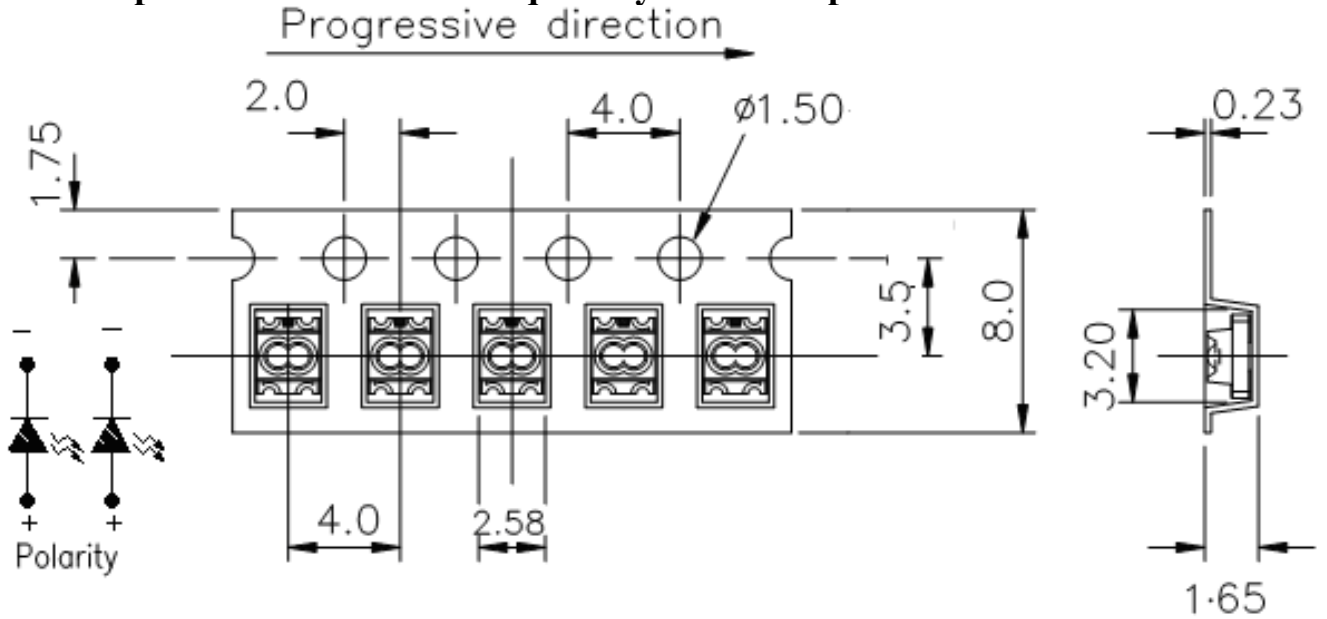
Reel Dimensions



Note: Tolerances Unless Dimension ±0.1mm,Unit = mm

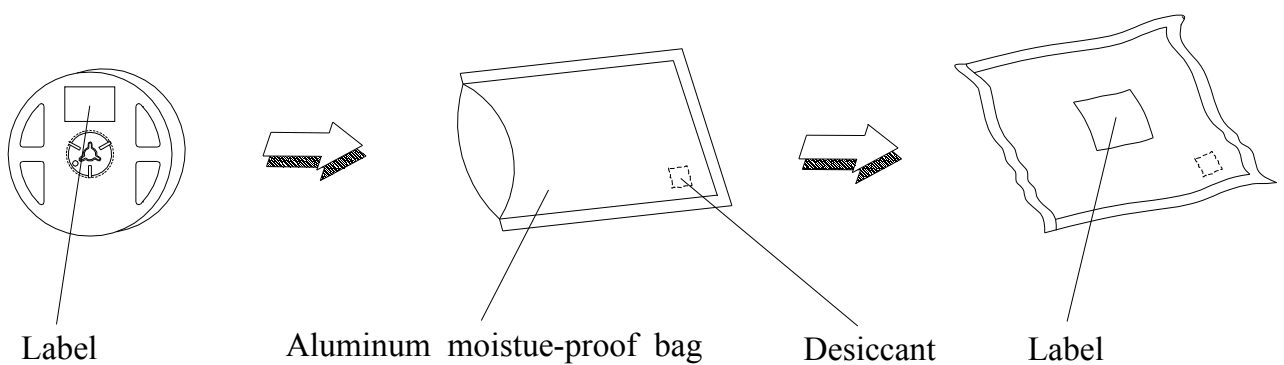
11-22/R6SGAC-A30/2T

Carrier Tape Dimensions: Loaded quantity 2000 PCS per reel



Note: Tolerances Unless Dimension $\pm 0.1\text{mm}$, Unit = mm

Moisture Resistant Packaging



11-22/R6SGAC-A30/2T
Reliability Test Items And Conditions

The reliability of products shall be satisfied with items listed below.

Confidence level : 90%

LTPD : 10%

No.	Items	Test Condition	Test Hours/Cycles	Sample Size	Ac/Re
1	Reflow Soldering	Temp. : 260 ±5 Min. 5sec.	6 Min.	22 PCS.	0/1
2	Temperature Cycle	H : +100 15min ∫ 5 min L : -40 15min	300 Cycles	22 PCS.	0/1
3	Thermal Shock	H : +100 5min ∫ 10 sec L : -10 5min	300 Cycles	22 PCS.	0/1
4	High Temperature Storage	Temp. : 100	1000 Hrs.	22 PCS.	0/1
5	Low Temperature Storage	Temp. : -40	1000 Hrs.	22 PCS.	0/1
6	DC Operating Life	I _F = 20 mA	1000 Hrs.	22 PCS.	0/1
7	High Temperature / High Humidity	85 / 85%RH	1000 Hrs.	22 PCS.	0/1

Precautions For Use

1. Over-current-proof

Customer must apply resistors for protection, otherwise slight voltage shift will cause big current change (Burn out will happen).

2. Storage

2.1 Do not open moisture proof bag before the products are ready to use.

2.2 Before opening the package: The LEDs should be kept at 30 or less and 90%RH or less.

2.3 After opening the package: The LED's floor life is 1 year under 30 or less and 60% RH or less.

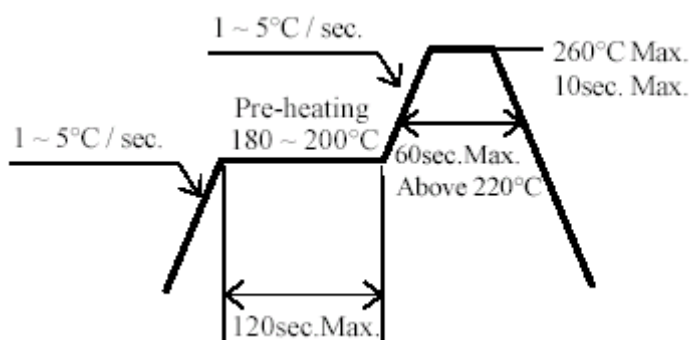
If unused LEDs remain, it should be stored in moisture proof packages.

2.4 If the moisture absorbent material (silica gel) has faded away or the LEDs have exceeded the storage time, baking treatment should be performed using the following conditions.

Baking treatment : 60 ± 5 for 24 hours.

3. Soldering Condition

3.1 Pb-free solder temperature profile



3.2 Reflow soldering should not be done more than two times.

3.3 When soldering, do not put stress on the LEDs during heating.

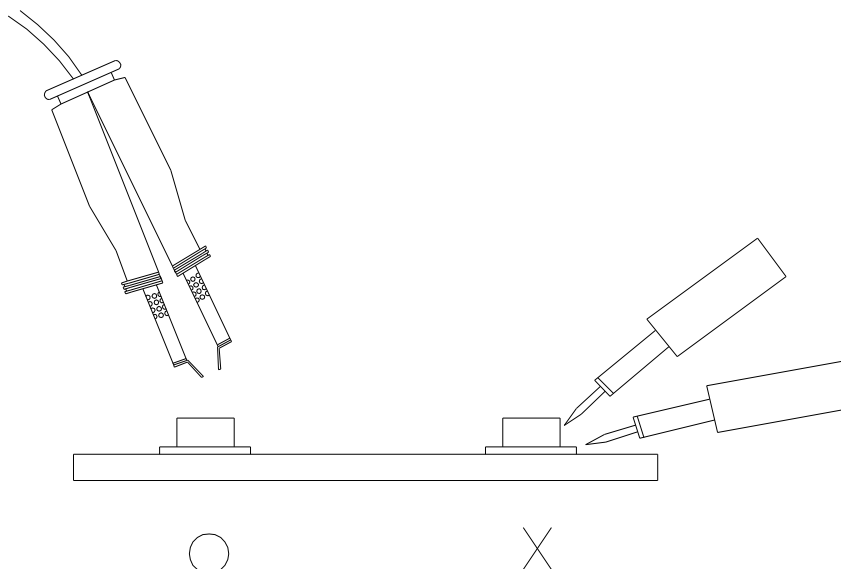
3.4 After soldering, do not warp the circuit board.

11-22/R6SGAC-A30/2T**4.Soldering Iron**

Each terminal is to go to the tip of soldering iron temperature less than 350 for 3 seconds within once in less than the soldering iron capacity 25W. Leave two seconds and more intervals, and do soldering of each terminal. Be careful because the damage of the product is often started at the time of the hand solder.

5.Repairing

Repair should not be done after the LEDs have been soldered. When repairing is unavoidable, a double-head soldering iron should be used (as below figure). It should be confirmed beforehand whether the characteristics of the LEDs will or will not be damaged by repairing.



EVERLIGHT ELECTRONICS CO., LTD.
Office: No 25, Lane 76, Sec 3, Chung Yang Rd,
Tucheng, Taipei 236, Taiwan, R.O.C

Tel: 886-2-2267-2000, 2267-9936
Fax: 886-2267-6244, 2267-6189, 2267-6306
<http://www.everlight.com>