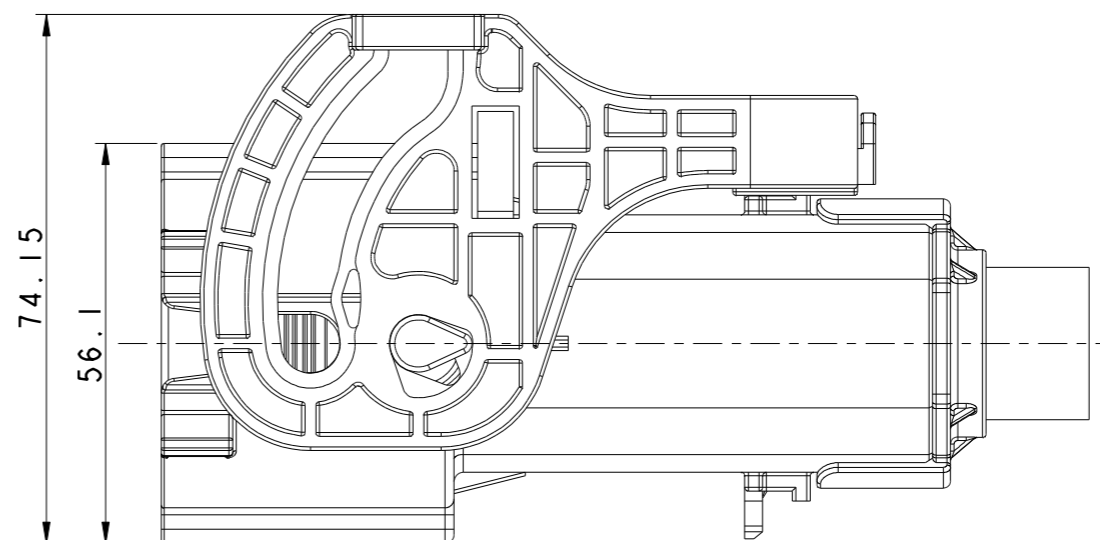
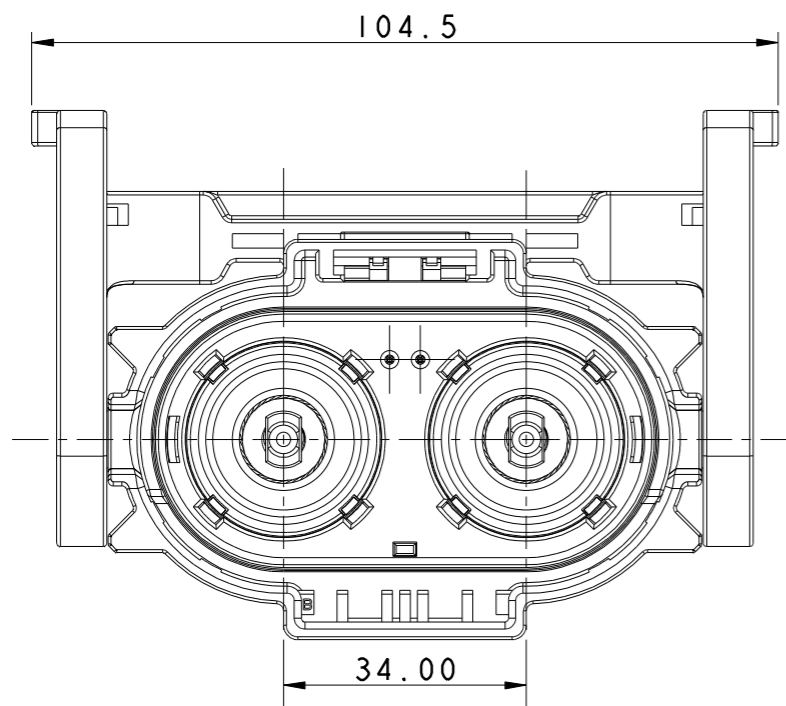
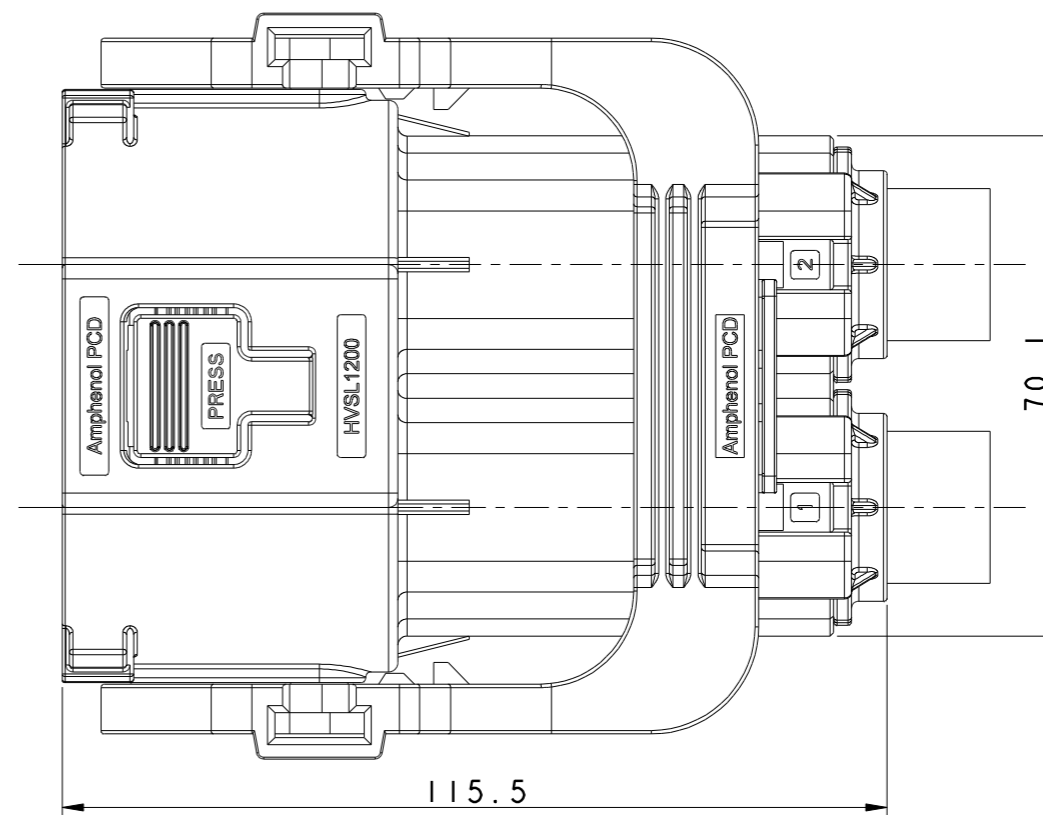


Amphenol PCDSZ
ORIGINAL
PDF Format
R&D

REV	ECN	DESCRIPTION	DATE	MODIFIED
1		PRE-RELEASE	May-03-17	Tom.Dai
2		ADD KEY DRAWING	Sep-05-17	Tom Dai

TECHNICAL DATA	
CURRENT RATE 95MM ² WIRE	350A
CURRENT RATE 70MM ² WIRE	250A
VOLTAGE RATE	1000V DC
OPERRATING TEMPERATURE	-40-125°C
DIELECTRIC WITHSTANDING VOLTAGE	3000V AC
INSULATION RESISTANCE	2000M Ω
DURABILITY	50 CYCLES
SHIELDING	YES
WATERPRROF(MATED CONDITION)	IP67 IP6K9K
CORROSION-PROFF GRADE(SALT FOG TEST)	96 HOURS
AMBIENT TEMPERATURE	-40-70°C
95mm ² CABLE SIZE(JACKET DIAMETER)	ϕ 21.3 \pm 0.6
70mm ² CABLE SIZE(JACKET DIAMETER)	ϕ 18.7 \pm 0.5



C-HVSL1200062X1XX

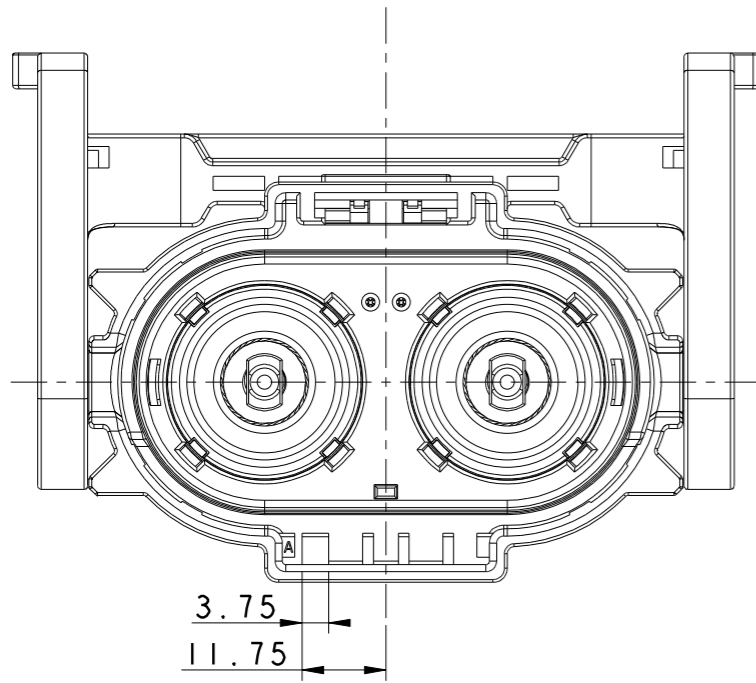
C-HVSL1200062X1XX

HVSL1200 06 2 X 1 XX

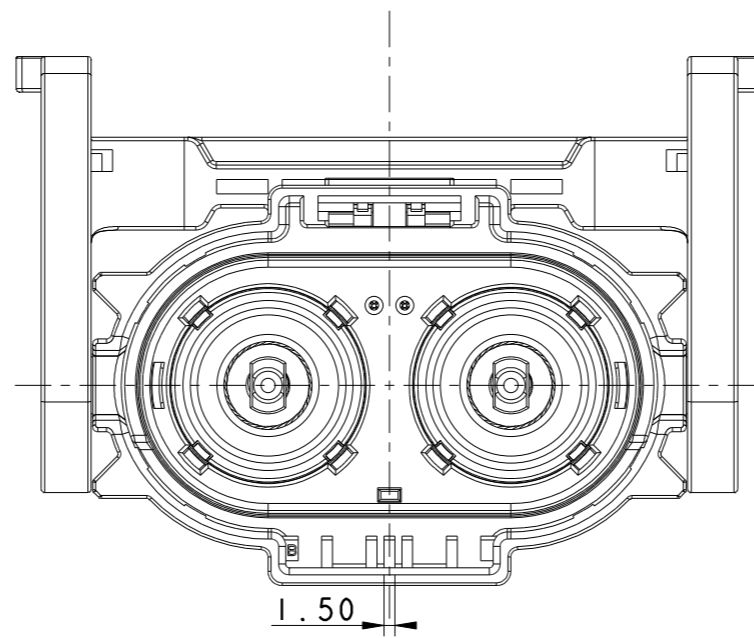
95	95mm ² Cable
70	70mm ² Cable

A	A Key
B	B Key
C	C Key

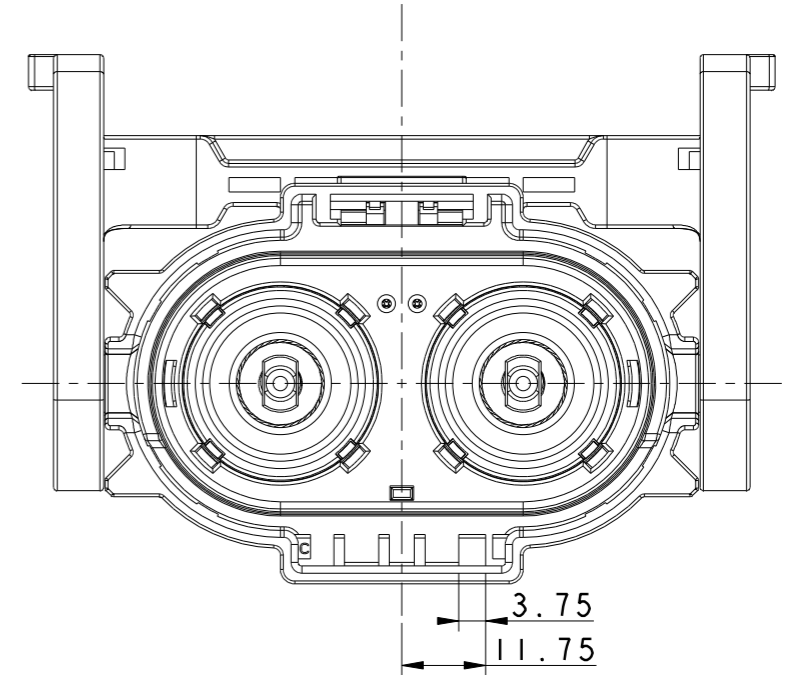
DIMENSIONS	TOLERANCES	PROJECTION	TITLE		
ANSI Y14.5M UNITS: MM Pro/E FILE	.X \pm 0.5 .XX \pm 0.30 ANGLES \pm 2°		Amphenol Pcd Shenzhen		
ORIGINAL	THIS DOCUMENT CONTAINS PROPRIETARY INFORMATION WHICH IS THE CONFIDENTIAL PROPERTY OF AMPHENOL PCD SHENZHEN		ENGR	Tom.Dai	May-03-17
			CHKD		
			APPD		
			SIZE	DWG NO.	REV
			A3	C-HVSL1200062X1XX	2
			CODE: 58982	SCALE: 1:1	SHEET 1 OF 2



HVSL1200062A1XX



HVSL1200062B1XX



HVSL1200062C1XX

SIZE	DWG NO.	REV
A3	C-HVSL1200062X1XX	2
CODE: 58982	SCALE: 1:1	SHEET 2 OF 2