

# Pin Headers 90°

2.5mm pitch



## SPECIFICATION:

### Material

Housing	PA66, UL94V-0
Pin Header	Brass, Tin Plated

### Electrical

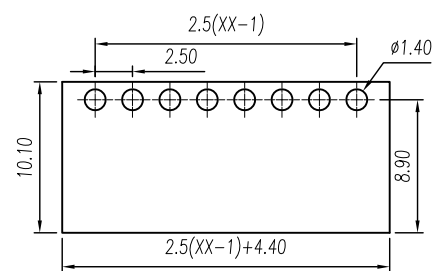
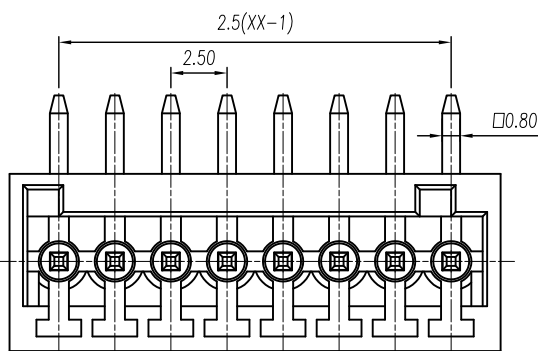
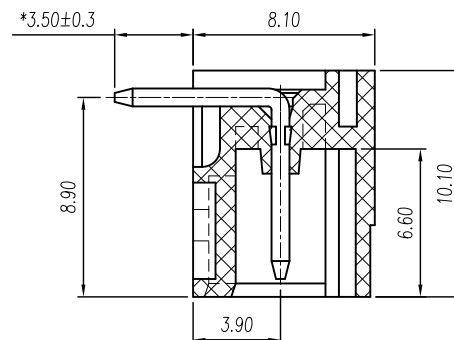
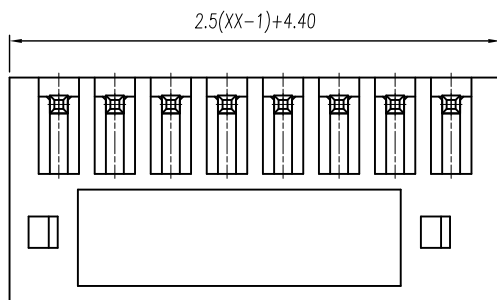
Standard	IEC	
Rated Voltage	150V	250V
Rated Current	5A	6A
Withstand Voltage	AC1250V/1Min	
Contact Resistance	20mΩ	
Insulation Resistance	500MΩ/DC500V	

### Mechanical

Temperature Range	-40°C~+105°C
Max Soldering Temperature	+250°C for 5sec

### Size

Pitch	2.5mm (.098")
Poles	2P-12P



**P.C.B. LAYOUT**