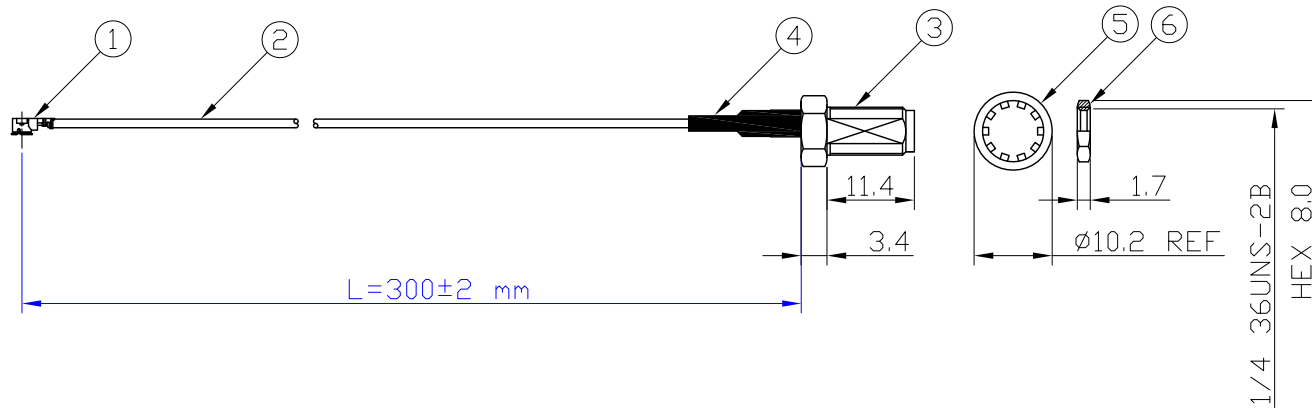
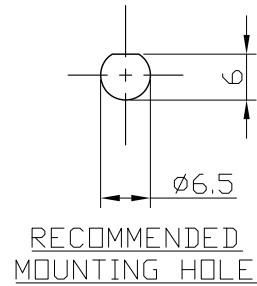


RoHS COMPLIANT

REVISIONS			
REV	DESCRIPTION	DATE	APPROVED
1.00	INITIAL DESIGN	2011/06/16	Jiang



Note: The orientation on drawing is for reference only. (圖面組裝方向性僅供參考)

Stig Wahlstrom Elektronik AB

TITLE Hirose U.FL + 1.13L300 + SMA ST bulk Jack			
DWG NO. 110415-10	PART NO. K129121015	UNIT mm	REV. 1.00
GENERAL TOLERANCES .X NA .XX NA .XXX NA ANGLES NA		SCALE 1 : 1	APPROVALS
(UNLESS OTHERWISE SPECIFIED)		SIZE A4	DATE
			DRAWN BY: Jiang 2011/06/16
		SHEET 1 of 1	CHK'D BY: Vivian 2011/06/16
			APP'D BY: Vivian 2011/06/16

NO	DESCRIPTION	Q'TY	DRAWN NO.
06	Nut	1	
05	Washer	1	
04	Heatshrink (Black)	1	Y0E01XX-030-B
03	SMA Straight bulkhead Jack	1	C02ABWS178003B
02	1.13 coaxial cable (Gray)	1	
01	Hirose U.FL	1	U.FL-LP-068