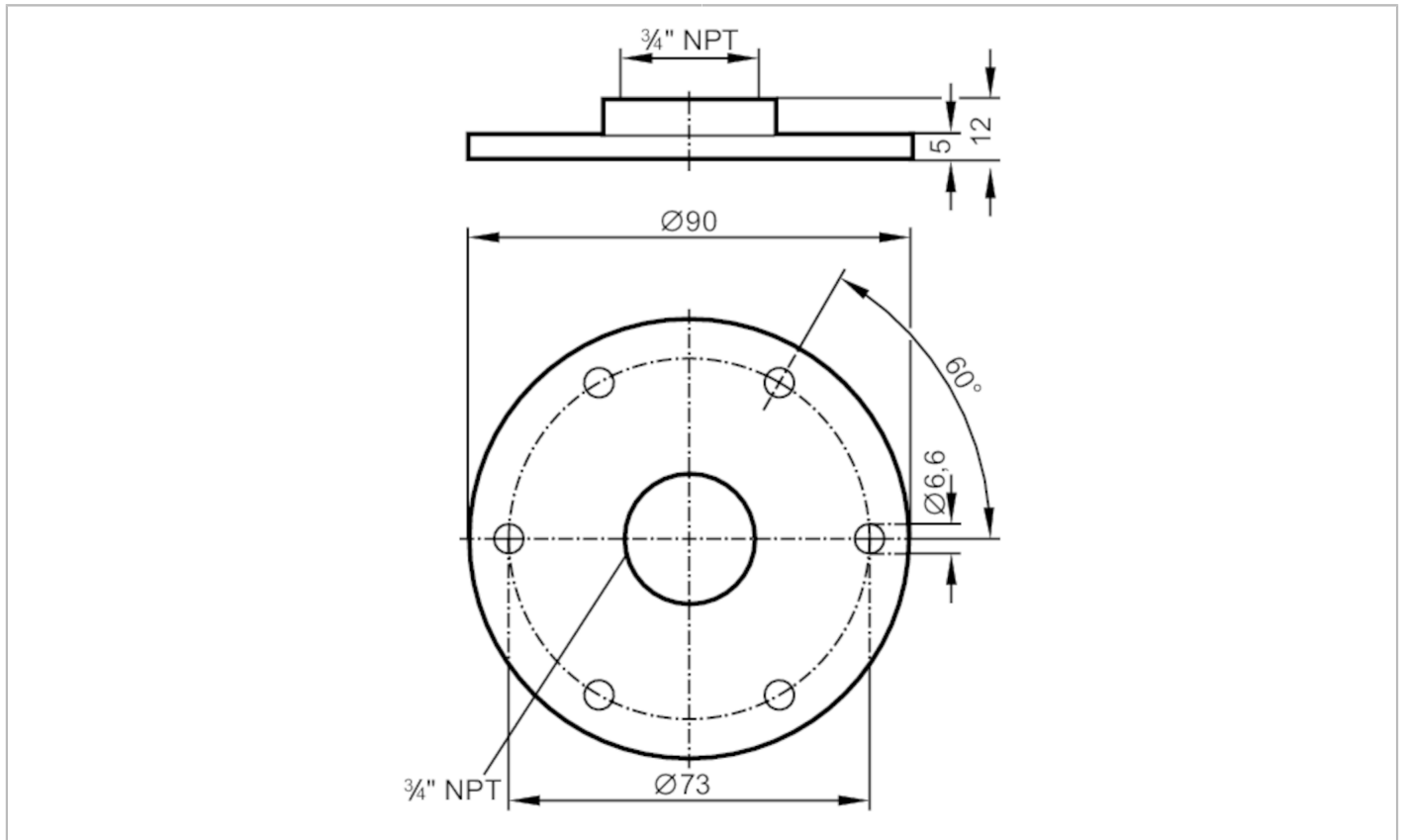


E43206



Flange plate for level sensors

FLANGE PLATE 73-90/NPT3/4



Application	
Design	for level sensors LR
Installation	according to DIN 24557
Tank pressure [bar]	-1...16
Operating conditions	
Ambient temperature [°C]	0...80
Mechanical data	
Weight [g]	266.8
Type of mounting	according to DIN 24557
Materials	flange: stainless steel (1.4305 / 303); Sealing: NBR
Tightening torque [Nm]	< 40
Remarks	
Pack quantity	1 pcs.