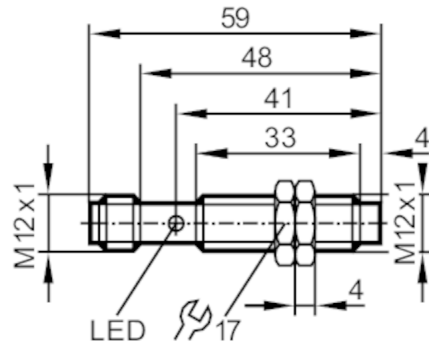


IF5813



Inductive sensor

IFK3004-BPKG/V4A/US-100-DPS/AU



Product characteristics

Electrical design	PNP
Output function	normally open
Sensing range [mm]	4
Housing	threaded type
Dimensions [mm]	M12 x 1 / L = 59

Application

Special feature	Gold-plated contacts
-----------------	----------------------

Electrical data

Operating voltage [V]	10...36 DC
Current consumption [mA]	15; (24 V)
Protection class	II
Reverse polarity protection	yes

Outputs

Electrical design	PNP
Output function	normally open
Max. voltage drop switching output DC [V]	2.5
Permanent current rating of switching output DC [mA]	250
Switching frequency DC [Hz]	1400
Short-circuit protection	yes
Type of short-circuit protection	pulsed
Overload protection	yes

Detection zone

Sensing range [mm]	4
Real sensing range Sr [mm]	4 ± 10 %
Operating distance [mm]	0...3.25

IF5813



Inductive sensor

IFK3004-BPKG/V4A/US-100-DPS/AU

Accuracy / deviations

Correction factor	steel: 1 / stainless steel: 0.7 / brass: 0.5 / aluminium: 0.4 / copper: 0.3	
Hysteresis [% of Sr]	3...15	
Switch point drift [% of Sr]	-10...10	

Operating conditions

Ambient temperature [°C]	-25...80	
Protection	IP 67	

Tests / approvals

EMC	EN 60947-5-2	
	EN 55011	class B
MTTF [years]	1874	

Mechanical data

Weight [g]	26.8	
Housing	threaded type	
Mounting	non-flush mountable	
Dimensions [mm]	M12 x 1 / L = 59	
Thread designation	M12 x 1	
Materials	stainless steel (1.4571/316Ti); sensing face: CO-PC	

Displays / operating elements

Display	switching status	1 x LED, yellow
---------	------------------	-----------------

Accessories

Accessories (supplied)	lock nuts: 2	
------------------------	--------------	--

Remarks

Pack quantity	1 pcs.	
---------------	--------	--

Electrical connection - plug

Connector: 1 x M12; Contacts: gold-plated



IF5813



Inductive sensor

IFK3004-BPKG/V4A/US-100-DPS/AU

Connection

