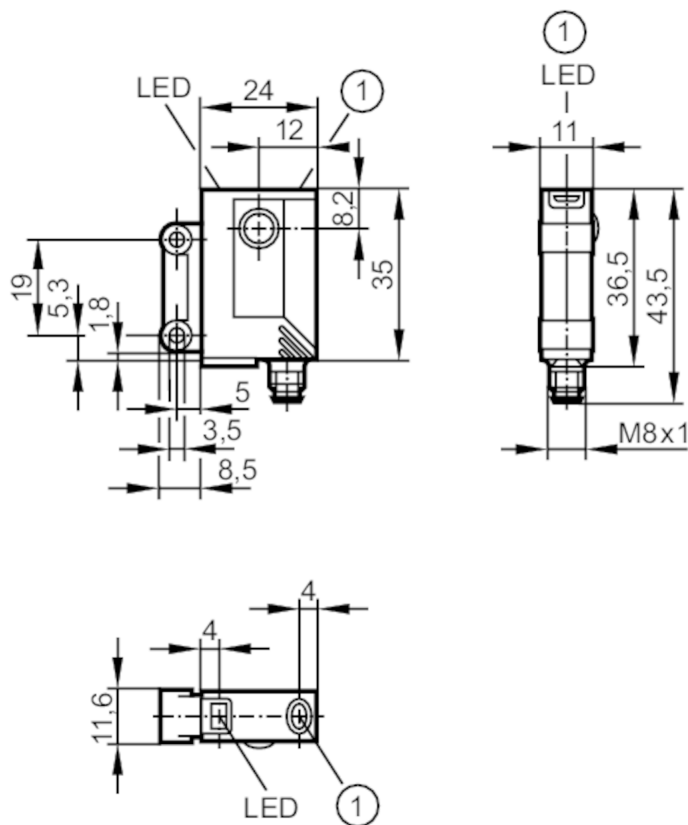




## Through-beam sensor transmitter

OJS-00KG/FO/AS



1 pushbutton without function



### Product characteristics

Type of light	red light
Housing	rectangular
Dimensions [mm]	35 x 24 x 11

### Application

Function principle	Through-beam sensor
--------------------	---------------------

### Electrical data

Operating voltage [V]	10...30 DC
Current consumption [mA]	< 19
Protection class	III
Reverse polarity protection	yes
Type of light	red light
Wave length [nm]	660

### Outputs


Overload protection	yes
---------------------	-----

# OJ5108



## Through-beam sensor transmitter

OJS-00KG/FO/AS

Detection zone		
Transmitter / receiver		transmitter
Range [m]		< 10
Max. light spot diameter [mm]		1000
Light spot dimensions refer to		at maximum range
Operating conditions		
Ambient temperature [°C]		-25...60
Protection		IP 67
Tests / approvals		
EMC	EN 60947-5-2	
MTTF [years]		1773
Mechanical data		
Weight [g]		39.4
Housing		rectangular
Dimensions [mm]		35 x 24 x 11
Materials	housing: ABS; fixture: diecast zinc; LED window: SEPS; pushbutton: SEPS	
Lens material		glass
Lens alignment		front lens
Displays / operating elements		
Display	operation	1 x LED, green
Accessories		
Accessories (supplied)	Basic clip: 1 x, E20964	
	screws: 2 x x M3 x 16	
	spring washers: 2 x	
	Nuts: 2 x	
Remarks		
Remarks	operating voltage "supply class 2" according to cULus	
Pack quantity	1 pcs.	
Electrical connection		
Connector: 1 x M8		
		

# OJ5108



## Through-beam sensor transmitter

OJS-00KG/FO/AS

### Connection

