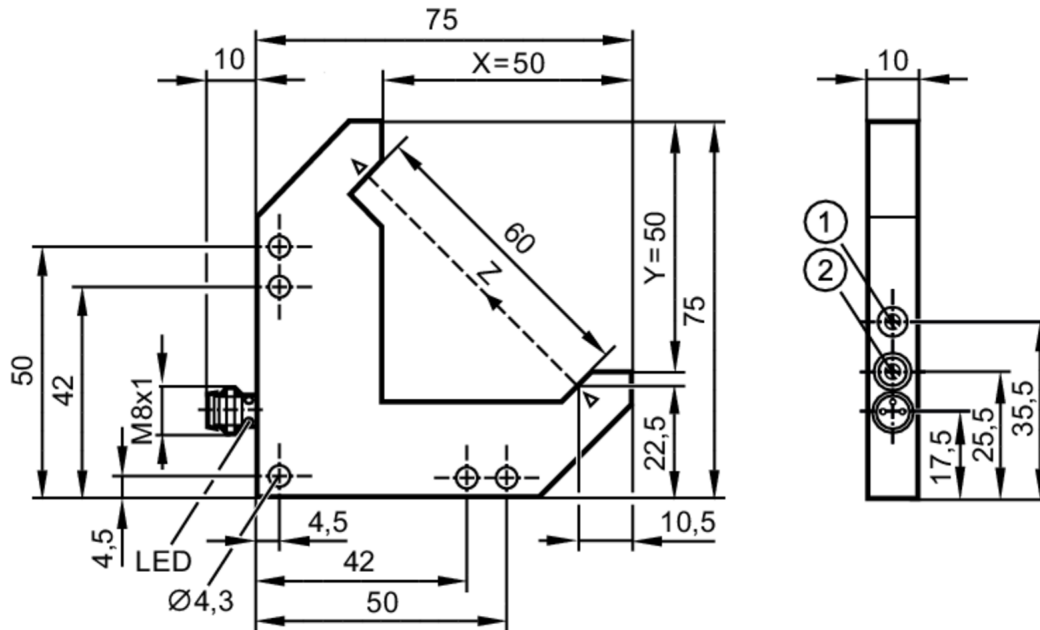


OPL200



Photoelectric angle sensor

OPL-FCKG/IO-LINK/AS



- 1 potentiometer sensitivity
- 2 output function switch



Product characteristics

Type of light	red light
Communication interface	IO-Link
Dimensions [mm]	75 x 10 x 75

Electrical data

Operating voltage [V]	10...30 DC; (operating voltage "supply class 2" according to cULus)
Current consumption [mA]	< 30
Protection class	III
Reverse polarity protection	yes
Type of light	red light
Wave length [nm]	660

Outputs


Electrical design	PNP
Output function	light-on/dark-on mode; (selectable)
Max. voltage drop switching output DC [V]	1
Permanent current rating of switching output DC [mA]	100
Switching frequency DC [Hz]	5000
Short-circuit protection	yes
Type of short-circuit protection	pulsed
Overload protection	yes

OPL200



Photoelectric angle sensor

OPL-FCKG/IO-LINK/AS

Detection zone		
Diameter of the smallest detectable object	[mm]	0.3
Interfaces		
Communication interface		IO-Link
Transmission type		COM2 (38,4 kBaud)
IO-Link revision		1.1
SDCI standard		IEC 61131-9
IO-Link device ID		978 d / 00 03 D2 h
Profiles		Smart Sensor: Device Identification; Device Diagnosis; Teach Channel; Switching Channel; Process Data Variable
SIO mode		yes
Required master port type		A
Min. process cycle time	[ms]	3.2
Operating conditions		
Ambient temperature	[°C]	-25...60
Protection		IP 67
Tests / approvals		
EMC		EN 60947-5-2
MTTF	[years]	709
Mechanical data		
Weight	[g]	114.5
Dimensions	[mm]	75 x 10 x 75
Side length X	[mm]	50
Side length Y	[mm]	50
Sensor width Z	[mm]	60
Materials		housing: diecast zinc black anodised; lens: glass
Displays / operating elements		
Display	switching status	1 x LED, yellow
Remarks		
Remarks		operating voltage "supply class 2" according to cULus
Pack quantity		1 pcs.
Electrical connection		
Connector: 1 x M8		
		



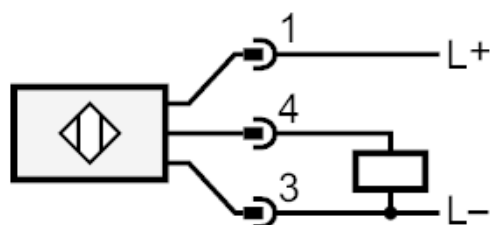
OPL200

Photoelectric angle sensor

OPL-FCKG/IO-LINK/AS



Connection



4: OUT / IO-Link