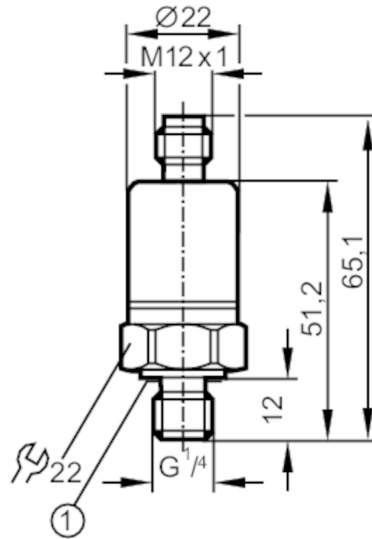


PC9050



Pressure transmitter

PT-400-SBG14-C-DVG/ IW



1 Sealing
Tightening torque 25 Nm



Product characteristics

Output signal	analogue signal
Measuring range [bar]	0...400
Process connection	threaded connection G 1/4 external thread

Application

Application	for mobile applications
Media	liquids and gases
Medium temperature [°C]	-25...90; (on request: -40...100 °C)
Pressure rating [bar]	600
Min. bursting pressure [bar]	1600
Type of pressure	relative pressure

Electrical data

Operating voltage [V]	5 DC; (ratiometric)
Current consumption [mA]	< 6
Min. insulation resistance [MΩ]	100; (80 V DC)
Protection class	III
Reverse polarity protection	yes

Inputs / outputs

Number of inputs and outputs	Number of analogue outputs: 1
------------------------------	-------------------------------

PC9050



Pressure transmitter

PT-400-SBG14-C-DVG/ IW

Outputs		
Total number of outputs		1
Output signal		analogue signal
Number of analogue outputs		1
Analogue voltage output [V]		0.5...4.5
Min. load resistance [Ω]		5000
Measuring/setting range		
Measuring range [bar]		0...400
Accuracy / deviations		
Repeatability [% of the span]		$< \pm 0,1$; (with temperature fluctuations < 10 K)
Characteristics deviation [% of the span]		$< \pm 1,0$; (incl. drift when overtightened, zero point and span error)
Linearity deviation [% of the span]		$< \pm 0,25$ (BFSL) / $< \pm 0,5$ (LS)
Hysteresis deviation [% of the span]		$< \pm 0,2$
Long-term stability [% of the span]		$< \pm 0,1$; (per 6 months)
Temperature drift per 10 K		$< \pm 0,5$
Response times		
Step response time analogue output [ms]		8
Operating conditions		
Ambient temperature [$^{\circ}\text{C}$]		-25...90
Storage temperature [$^{\circ}\text{C}$]		-40...100
Protection		IP 67; IP 69K
Tests / approvals		
EMC	immunity	according to the automotive directive 1995/54/EC
	ISO 11452-2	100 V/m
	ISO 11452-4	100 mA / severity level 4
	DIN EN 61000-4-2 ESD	4 kV CD / 8 kV AD
	DIN EN 61000-6-2	
	radiation of interference	
	CISPR 25	
	DIN EN 61000-6-3	
Shock resistance	DIN EN 60068-2-27	50 g (11 ms)
Vibration resistance	DIN EN 60068-2-6	20 g (10...2000 Hz)
MTTF [years]		3896

PC9050



Pressure transmitter

PT-400-SBG14-C-DVG/ IW

Mechanical data	
Weight [g]	80.5
Materials	stainless steel (1.4404 / 316L); PA
Materials (wetted parts)	stainless steel (1.4404 / 316L); FKM
Min. pressure cycles	50 million
Process connection	threaded connection G 1/4 external thread
Restrictor element integrated	yes
Remarks	
Remarks	BFSL = Best Fit Straight Line LS = limit value setting
Pack quantity	1 pcs.

Electrical connection

Connector: 1 x M12



Connection

