



**Part no.: 50040498**  
**RFM 32 SL 200**  
**RFID read/write device**



Figure can vary

## Contents

- . Technical data
- . Dimensioned drawings
- . Electrical connection
- . Operation and display
- . Notes
- . Accessories

Part no.: 50040498 – RFM 32 SL 200 – RFID read/write device

## Technical data

| <b>Basic data</b>                   |  |
|-------------------------------------|--|
| Series                              | RFM  |
| Working frequency                   | 13.56 MHz  |
| <b>Functions</b>                    |  |
| Functions                           | Configurable operating modes<br>I/O<br>LED indicator<br>Reading gate control |
| <b>Read data</b>                    |  |
| Reading/writing range, max.         | 110 mm   |
| Transponder, readable               | ICodeSLI<br>Infineon MyD<br>TagIT HFI  |
| <b>Electrical data</b>              |  |
| <b>Performance data</b>             |  |
| Supply voltage $U_B$                | 12 ... 30 V , DC   |
| Power consumption, max.             | 1.2 W  |
| Memory access                       | Read/Write   |
| Transmission speed                  | 4,000 Bd   |
| <b>Inputs</b>                       |  |
| Number of digital switching inputs  | 1 Piece(s)   |
| <b>Outputs</b>                      |  |
| Number of digital switching outputs | 1 Piece(s)   |
| <b>Interface</b>                    |  |
| Type                                | RS 232   |
| <b>RS 232</b>                       |  |
| Function                            | Process  |
| Transmission speed                  | 9,600 Bd   |
| Data format                         | Fixed  |
| Start bit                           | 1  |
| Data bit                            | 8 data bits  |
| Stop bit                            | 1 stop bit   |
| Parity                              | None   |
| Transmission protocol               | <STX><data><CR><LF>  |
| <b>Connection</b>                   |  |
| Number of connections               | 1 Piece(s)   |
| <b>Connection 1</b>                 |  |
| Type of connection                  | Cable with socket connectors (10+6)  |
| Function                            | Data interface<br>Signal IN<br>Signal OUT<br>Voltage supply                  |
| Cable length                        | 1,000 mm   |
| <b>Mechanical data</b>              |  |

**Part no.: 50040498 – RFM 32 SL 200 – RFID read/write device**

|                       |                        |
|-----------------------|------------------------|
| Design                | Cubic                  |
| Dimension (W x H x L) | 76 mm x 30 mm x 102 mm |
| Housing material      | Plastic                |
| Net weight            | 346 g                  |
| Housing color         | Black                  |
| Type of fastening     | Through-hole mounting  |

**Environmental data**

|                                    |               |
|------------------------------------|---------------|
| Ambient temperature, operation     | -25 ... 65 °C |
| Ambient temperature, storage       | -40 ... 70 °C |
| Relative humidity (non-condensing) | 5 ... 90 %    |

**Certifications**

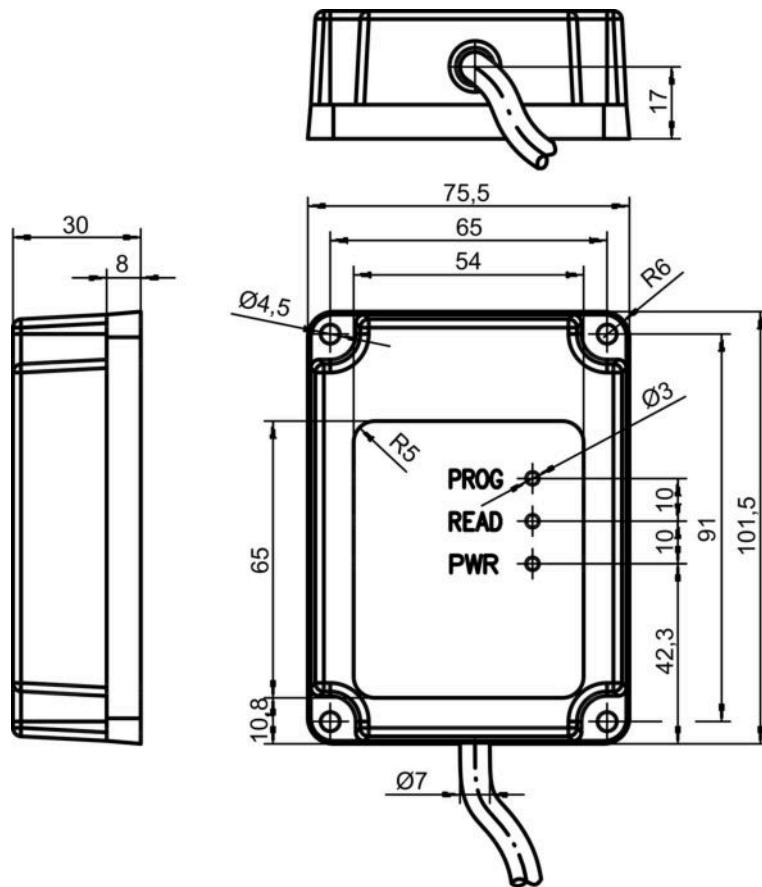
|                      |       |
|----------------------|-------|
| Degree of protection | IP 67 |
|----------------------|-------|

**Classification**

|                       |          |
|-----------------------|----------|
| Customs tariff number | 84719000 |
| eCl@ss 8.0            | 27280401 |
| eCl@ss 9.0            | 27280401 |
| ETIM 5.0              | EC002998 |
| ETIM 6.0              | EC002998 |

## Dimensioned drawings

All dimensions in millimeters



## Electrical connection

| Connection 1       |   |
|--------------------|---|
| Type of connection | Cable with socket connectors (10+6)                         |
| Function           | Data interface<br>Signal IN<br>Signal OUT<br>Voltage supply |
| Cable length       | 1,000 mm  |

| Pin | Pin assignment | Conductor color |
|-----|----------------|-----------------|
| 1   | n.c.           | White-brown     |
| 2   | n.c.           | White-red       |
| 3   | n.c.           | White-orange    |
| 4   | n.c.           | White-yellow    |
| 5   | n.c.           | White-green     |
| 6   | SWOUT 1        | White-black     |
| 7   | GND            | Brown           |
| 8   | n.c.           | Red             |
| 9   | n.c.           | Orange          |
| 10  | RxD            | Yellow          |
| 11  | TxD            | Green           |
| 12  | n.c.           | Blue            |
| 13  | SWIN 1         | Violet          |
| 14  | VIN            | Gray            |

Part no.: 50040498 – RFM 32 SL 200 – RFID read/write device

| Pin | Pin assignment | Conductor color |
|-----|----------------|-----------------|
| 15  | GNDIN          | White           |
| 16  | Shield         | Shield          |

## Operation and display

### LEDs

| LED | Display                  | Meaning               |
|-----|--------------------------|-----------------------|
| 1   | Yellow, continuous light | Operational readiness |
| 2   | Red, continuous light    | Reading gate active   |
| 3   | Green, flashing          | Reading successful    |


## Notes

### Observe intended use!

- This product is not a safety sensor and is not intended as personnel protection.
  - The product may only be put into operation by competent persons.
  - Only use the product in accordance with its intended use.
- 
- Under certain circumstances, metal in the reading field reduces the operating range considerably.

## Accessories

### Connection technology - Connection unit

|   | Part no. | Designation | Article         | Description   |
|---|----------|-------------|-----------------|---|
|  | 50031256 | MA 2        | Connection unit | Interface: RS 232, RS 485<br>Connections: 3 Piece(s)<br>Degree of protection: IP 54 |

### Note

A list with all available accessories can be found on the Leuze electronic website in the Download tab of the article detailed page.