

MVK I/O COMPACT MODULE, METAL

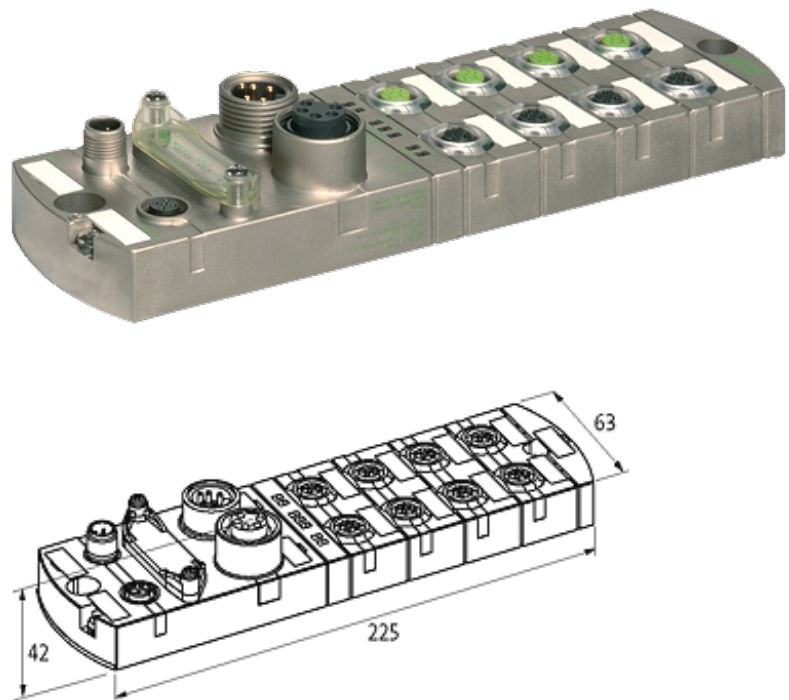
Profibus DP, 4 analog Out / 8 multif. channels

Digital inputs/outputs

Analog outputs

DI/DO4 + 4 × diagnostic/DI/DO + AO4

For connection cables please see chapter "Connection Technology" All housings are fully potted

[Link to Product](#)**Illustration**

Product may differ from Image

Approvals**More Info**

Input	
Sensor supply US	24 V DC (EN 61131-2), max. 200 mA (M12 female), short-circuit and overload protected
Type	for 3-wire sensors or mechanical switches, PNP, (EN 61131-2)
Connections	
Fieldbus	M12, B-coded
Sensor-system/actuator supply	7/8", 5-pole, 2 × max. 9 A
I/O ports	M12, A-coded, 5-pole
Fieldbus	
Operating voltage	24 V DC (EN 61131-2)
Operating modes	Sync- and freeze mode are supported
Transfer rate	to 12 Mbit/s
Addressing	Rotary switch 1...99
General data	
Protection	IP67
Mounting method	2-hole screw mounting
Temperature range	0...+55 °C (storage temperature -20...+70 °C)
Dimensions H × W × D	42×63×225 mm
Output	
Actuator supply UA	24 V DC (EN 61131-2), max. 9 A
Switching current per output	max. 1.6 A (short-circuit and overload protected)
Lamp load	10 W
Input range (analog)	0...20 mA, 4...20 mA (0...10 V via adapter Art.-No. 7000-42252-0000000)
Conversion time (analog)	1 ms
Diagnostic	
Communication status	via LED
Diagnostic via LED	per module and channel
Diagnostic via BUS	per module and channel
Monitoring - under voltage	yes
Monitoring - no voltage	yes
Short circuit and overload	yes
Actuator warning	per channel via LED and BUS
Cable break	per port
Commercial data	
country of origin	DE
customs tariff number	85389099
minimum order quantity	1