

CUBE67 I/O CABLE EXTENSION MODULE

8 multifunction channels, M12 8-pin

Expansion module

DIO8 - 0.5 A (E) 0.5 m (M12)

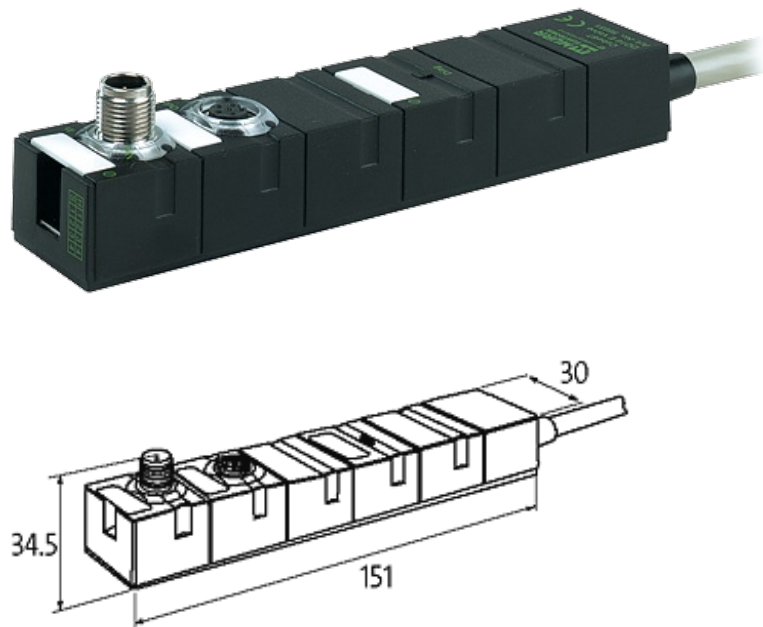
With open ended wires

Multifunctional I/Os

For connection cables please see chapter "Connection Technology" All housings are fully potted

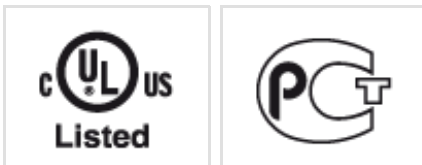
[Link to Product](#)

Illustration



Product may differ from Image

Approvals



Input

Sensor supply US	24 V DC (EN 61131-2), max. 0.5 A
Type	for 3-wire sensors or mechanical switches, PNP, (EN 61131-2)
Input filter	1 ms

Internal communication

Current consumption	max. 50 mA
---------------------	------------

The information in this brochure has been compiled with the utmost care.

Liability for the correctness completeness and topicality of the information is restricted to gross negligence. Version: 05/15

Murrelektronik GmbH | Falkenstraße 3, 71570 Oppenweiler | Fon +49 (71 91) 47-0, Fax +49 (71 91) 47-491000 | shop@murrelektronik.de | shop.murrelektronik.de

LED display	US: sensor supply and internal supply voltage (green: OK); UA: actuator supply (green: OK)
-------------	--

Connections

Fieldbus	via internal system connection
Sensor-system/actuator supply	via internal system connection (max. 2×4 A)
I/O ports	Cable (0.5 m) / M12 (male) 5-pole, A-coded

Cables

No./diameter of wires	8 × 0.25 mm ²
Material (jacket)	PUR

General data

Protection	IP67
Mounting method	2-hole screw mounting
Temperature range	0...+55 °C (storage temperature -20...+75 °C)
Dimensions H × W × D	150×30×34.5 mm

Parameterization

I/O channels	Input/output
--------------	--------------

Output

Actuator supply UA	24 V DC (EN 61131-2), via system connection (max. 4 A)
Switching current per output	max. 60 mA, (short-circuit and overload protected)

Diagnostic

Communication status	via LED
Diagnostic via LED	per module
Diagnostic via BUS	per module and channel
Monitoring - under voltage	yes
Monitoring - no voltage	yes
Short circuit and overload	yes
Actuator warning	per channel via BUS

Commercial data

country of origin	DE
customs tariff number	85176200
minimum order quantity	1