

## M8 female 90° with cable LED

PUR 3x0.25 gy UL/CSA+drag chain 40m

M8

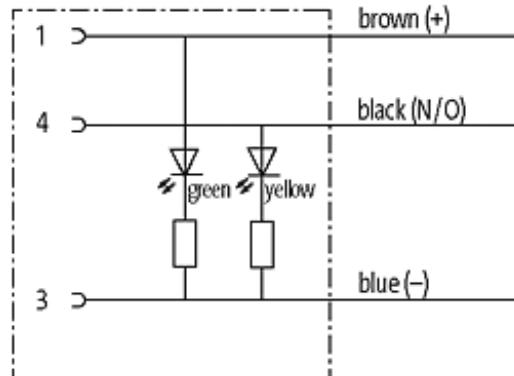
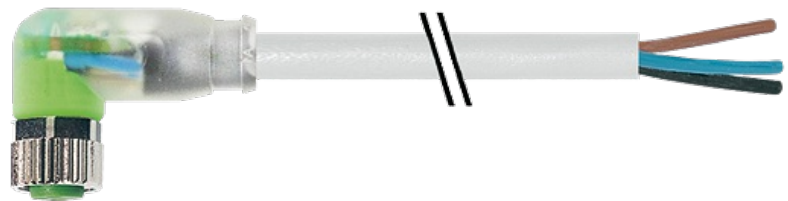
Female 90°

3-pole with 2 × LED (PNP)

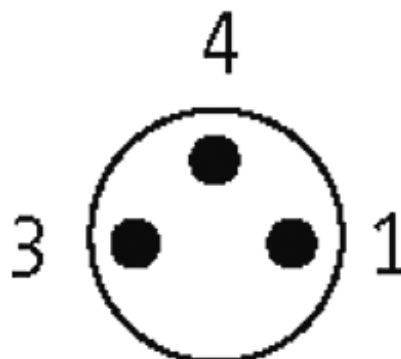
Plastic housings with good resistance against chemicals and oils. The resistance to aggressive media should be individually tested for your application. Further details on request. Further cable lengths on request.

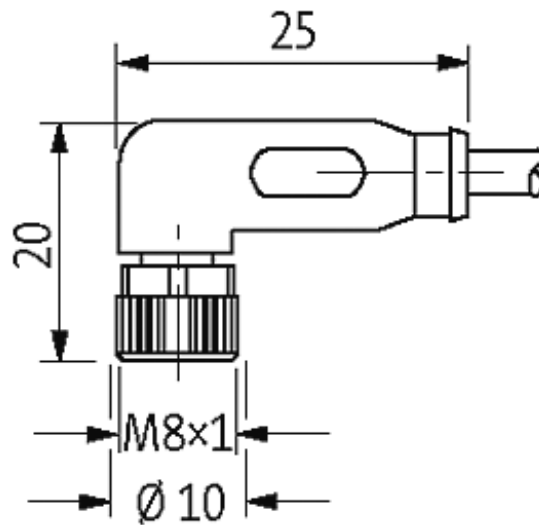
### [Link to Product](#)

#### Illustration



Female





Product may differ from Image

### Approvals



\* only for products with UL/CSA approved cable

### Form

08121

### Technical Data

|                               |   |
|-------------------------------|---|
| Operating voltage             | 24 V DC $\pm 25\%$  |
| Operating current per contact | max. 4 A  |
| Locking of ports              | Screw thread M8 $\times$ 1 mm (recommended torque 0.4 Nm) self-securing |
| Protection                    | IP67 inserted and tightened (EN 60529)                                  |

### Cables

|                             |                                 |
|-----------------------------|---------------------------------|
| Cable number                | 230                             |
| No./diameter of wires       | 3 $\times$ 0.25 mm <sup>2</sup> |
| Wire isolation              | PP (br, bl, bk)                 |
| C-track properties          | 5 Mio.                          |
| Torsion                     | 2 Mio. $\pm$ 180°/m             |
| Jacket Color                | gray                            |
| Shore hardness outer jacket | 90 $\pm$ 5A                     |
| Material (jacket)           | PUR (UL/CSA)                    |
| Outer diameter              | approx. 4.3 mm                  |
| Bend radius (fixed)         | 5 $\times$ outer $\varnothing$  |
| Bend radius (moving)        | 10 $\times$ outer $\varnothing$ |

The information in this brochure has been compiled with the utmost care.

Liability for the correctness completeness and topicality of the information is restricted to gross negligence. Version: 05/15

---

|                            |              |
|----------------------------|--------------|
| Temperature range (fixed)  | -40...+80 °C |
| Temperature range (mobile) | -25...+80 °C |

---

**Commercial data**

|                        |   |
|------------------------|---|
| minimum order quantity | 1 |
|------------------------|---|