

**M12 MALE 0° / M12 FEMALE 0°**

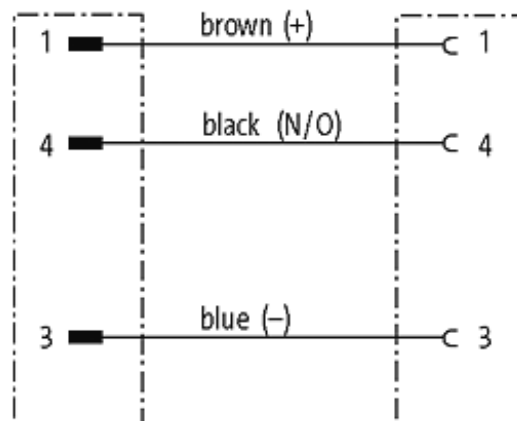
PVC 3X0.34 black UL/CSA 20m

Male straight to female straight

M12 - M12, 3-pole

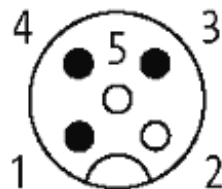
Art.-No. 7005 - M12 Lite - (plastic hexagonal screw) on request

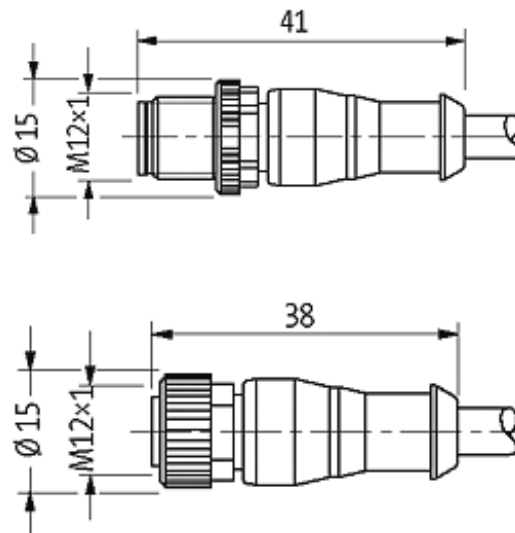
Plastic housings with good resistance against chemicals and oils. The resistance to aggressive media should be individually tested for your application. Further details on request. Further cable lengths on request.

[Link to Product](#)**Illustration**

Male

Female





Product may differ from Image

### Approvals



\* only for products with UL/CSA approved cable

### Form

40001

### Technical Data

Operating voltage	max. 250 V AC/DC
Operating voltage (only UL listed)	* 30 V DC
Operating current per contact	max. 4 A
Contact resistance	max. 5 mW
Isolation resistance	100000 MW
Locking of ports	Screw thread M12 × 1 mm (recommended torque 0.6 Nm) self-securing
Protection	IP67 inserted and tightened (EN 60529)

### Cables

Cable number	613
No./diameter of wires	3 × 0.34 mm <sup>2</sup>
Wire isolation	PVC (br, bl, bk)
Jacket Color	black
Shore hardness outer jacket	85 ± 5A
Material (jacket)	PVC (UL/CSA)
Outer diameter	approx. 4.6 mm
Bend radius (fixed)	5 × outer Ø
Bend radius (moving)	10 × outer Ø

The information in this brochure has been compiled with the utmost care.

Liability for the correctness completeness and topicality of the information is restricted to gross negligence. Version: 05/15

---

Temperature range (fixed)	-30...+80 °C
Temperature range (mobile)	-5...+80 °C

---

**Commercial data**

---

country of origin	DE
customs tariff number	85444290
minimum order quantity	1

---