

Vibrator Control RSP1 with Time addition

RSP1



The vibration control RSP1 is a compact multiple timing relay for capturing operation times of suction plants and for triggering vibrators.

It provides optimal control of the vibration device by collecting of operating times of up to 3 suction

- addition of the running time of 1, 2 or 3 suction.
- introduction of vibration procedure after having reached the set total time (adjustable 4 to 120 min.) and after completion of the last suction operation.
- external vibration command by closing a contact, e.g. by filter monitoring work
- spintime adjustable 10 to 300 sec.
- interval vibrations 5, 15 or 20 times (disconnectable)
- interval vibration time (adjustable 1 - 30 sec.)
- interval break time (adjustable 1 - 30 sec.)
- continuous vibration (adjustable 10 - 300 sec.)
- no vibration during suction operation.
- if vibration procedure is interrupted (e.g. by switching on suction), the same will be recommenced at the next possible opportunity.

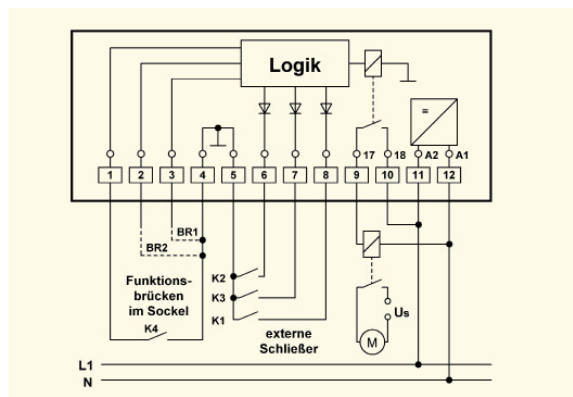
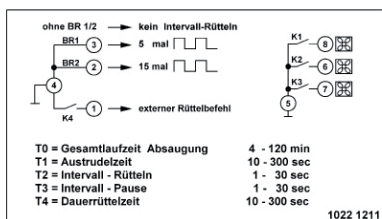
with variable programs for vibration procedures (spintime, interval- and permanent vibration) and programmable vibration periods. LED displays provide information about the operational state at any time.

All times are permanently saved in an EEPROM. Thus the accumulated operation period of the suction operation saved when switching off the supply voltage, e.g. during the night or weekend.

Features:

- inputs for up to 3 suction.
- permanent saving of all times in the EEPROM.
- LED-display
- 2 pushbuttons for programming.
- coding switch for adjustment of all times
- RESET-button, resets operation period to zero or interrupts a running vibration procedure.
- VIBRATION-button, starts vibration procedure (only if suction is not active).

Order-number: **Z224305**



Technical Data

Supply voltage U_s

AC 220 - 240 V, $\pm 10\%$, 50/ 60 Hz, < 3 VA

Relay output
Contact type
Test Conditions
max. ambient temperature

1 NO
type 2 see "general technical informations"
see "general technical informations"
-20°C...+55°C

Inputs
Contact 6, 7, 8 against 5
Contact 1 against 4

approx. DC 24 V/3 mA
approx. DC 5 V/5 mA

Casing dimensions (W x H x D)
Protection housing/terminals
Mounting

Design S 12: 41.5 x 82 x 121
IP 30/ IP 20
on 35 mm standard rail according to EN 60 715 or with M4 screws.
approx. 300 g