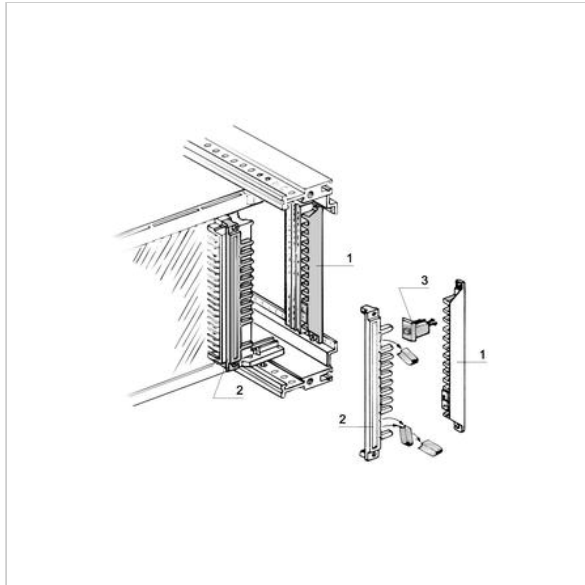


**Schroff**

## Coding

Catalog Number: 60800-123

- Wall/horizontal rail mounting
- Mating connector
- Coding
- Z-rail
- With 2 keying/coding pins 66, and with 6 keying/coding pins, 924 keying/coding possibilities
- Space requirement 4 HP
- Mechanical keying/coding prevents the insertion of a power supply in the incorrect pin position
- Connector keying/coding with a comb strip (Item 2, applied at power supply – slimpower, maxpowerPRO) and contact strip (assembly at the horizontal rail)



Other Views



## Description

### Application:

19" compatible

### Connector:

Keying/coding