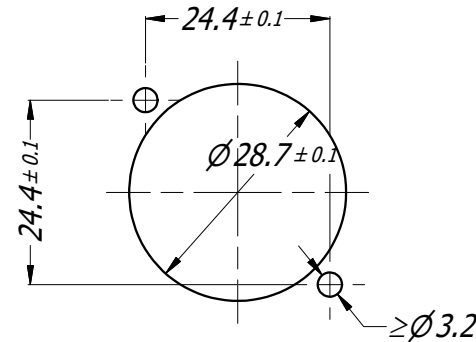


**3D VIEW**  
1:1



**PANEL CUTOUT**

**PATENTS AND APPLICATIONS :**

- US 10823914B2
- EP 3514892B1
- JP 6705027B2
- DE 102018101431A1
- HK 40009428A
- CN 110071397A
- EP 3641070A1

**NOTES:**  
 - USE SCREW #4 OR M3  
 - SCREW TORQUE: 0.4 N-m ( 3.5 lb-in) MAX

UNLESS OTHERWISE SPECIFIED TOLERANCE TO BE	
LINEAR	ANGULAR
X ± 0.5	X' ± 1
X.X ± 0.1	X.X' ± 30'
X.X ± 0.05	X.X' " ± 15"
BREAK ALL SHARP EDGES AND REMOVE ALL BURRS	
DO NOT SCALE	
DIMENSIONS IN MILLIMETRES	

THIS DOCUMENT IS THE PROPERTY OF AMPHENOL AUSTRALIA PTY. LTD.  
 . NO PART THEREOF MAY BE REPRODUCED AND USED  
 WITHOUT THE PRIOR WRITTEN CONSENT OF THE OWNER.

MATERIAL:  
**REFER COMPONENTS**

DRN:	T.N	DATE:	29/08/16
CKD:	P.M	DATE:	29/08/16
APP'D:	P.M	DATE:	29/08/16
SCALE:	<b>1:1</b>	SIZE:	<b>A4</b>



**Amphenol**

Amphenol Australia Pty.Ltd,  
 22 Industry Blvd, Carrum Downs VIC 3201

TITLE:  
**FEMALE PANEL MOUNT**  
**HP SERIES**  
**WITHOUT DIVIDER**

PART No:	<b>HPT-3-FDW</b>	REV	<b>2</b>
DRAWING No.	<b>55011094-000-4</b>	SHEET	<b>4/4</b>