

BTMM-106-01-T-S



SNT-100-BK-T-H



SNT-100-BK-G



JL-300-25-T



MNT-114-BK-G



(2,54 mm) .100"

SNT, MNT, 2SN, SNM, PK, JL, BTMM SERIES

SHUNTS & JUMPERS

SNT/MNT mates with:
TSW, HTSW, MTSW, HMTSW, TLW, DW, EW, ZW, HW, TSM, BST, PHT

2SN mates with:
TMMH, TMM, MTMM, MMT, TW, LTMM, ZLTMM, TSH, EHT

SNM mates with:
TMS, MTMS, DWM

SPECIFICATIONS

For complete specifications see www.samtec.com?SNT, www.samtec.com?MNT, www.samtec.com?2SN, www.samtec.com?SNM

Insulator Material:
Glass Filled Polyester

Contact Material:
Phosphor Bronze

Current Rating (SNT/TSW):
SNT=4.3 A per pin
(1 pin powered per row)

Current Rating (MNT/TSM):
MNT=3.9 A per pin
(1 pin powered per row)

Operating Temp Range:
-55°C to +125°C

Contact Resistance:
SNT=5 mΩ, SNM=10 mΩ

Working Voltage:
MNT: 450 VAC

Insertion Depth:
SNT=(4,32 mm) .170" min.
2SN=(2,29 mm) .090" min.
SNM=(3,43 mm) .135" min.

Lead Size accepted:
SNT= (0,64 mm) .025" SQ
2SN= (0,51 mm) .020" SQ

Insertion Force:
(Single contact only)
33 oz (9,17 N) average

Withdrawal Force:
(Single contact only)
27 oz (7,51 N) average

RoHS Compliant: Yes

RECOGNITIONS

For complete scope of recognitions see www.samtec.com/quality



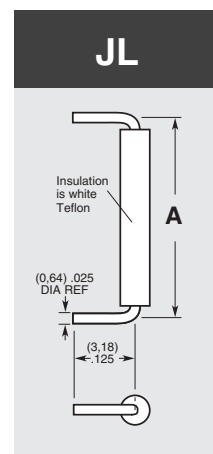
JL

For complete specifications see www.samtec.com?JL

Part No.	A
JL-100-25-T	(2,54) .100
JL-250-25-T	(6,35) .250
JL-300-25-T	(7,62) .300
JL-400-25-T	(10,16) .400
JL-500-25-T	(12,70) .500
JL-600-25-T	(15,24) .600
JL-1000-25-T	(25,40) 1.000

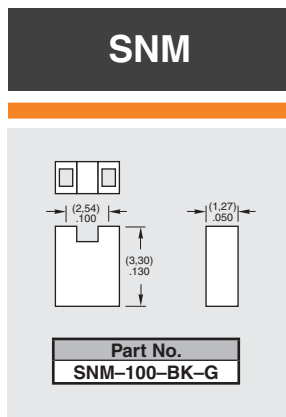
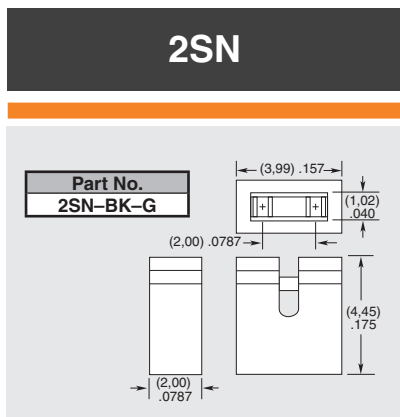
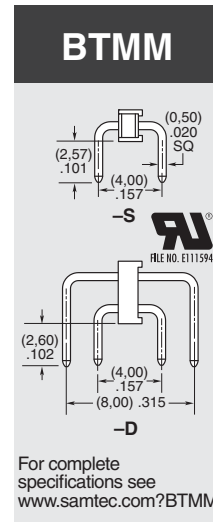
SNT	100	BODY COLOR	PLATING OPTION	HANDLE OPTION
		-BK = Black	-G = 10µ" (0,25 µm) Gold	-H = Handle (Black Only)
		-OR = Orange	-T = Tin	

Note: Other Gold plating options available. Contact Samtec.



MNT	1	NO. OF POSITIONS	BODY COLOR	PLATING OPTION
		02 thru 20	-BK = Black	-G = 10µ" (0,25 µm) Gold
			-T = Tin	

Note: Some lengths, styles and options are non-standard, non-returnable.



PK

Part No.	A	B
PK-01-06	(0,64) .025 SQ	(5,84) .230
PK-01-07	(0,51) .020 SQ	(3,18) .125

Insulator Material:
Natural Thermoplastic

Note: Order per wheel. 6 pins per wheel.