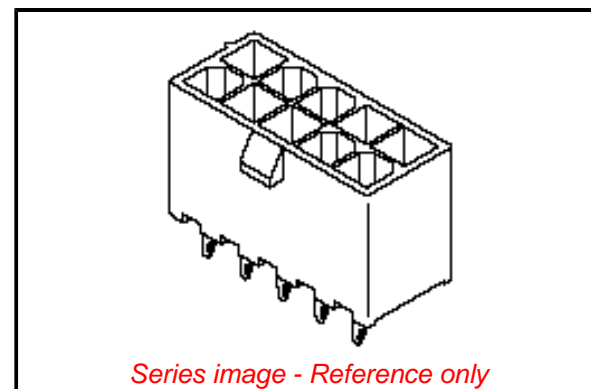


PLEASE CHECK WWW.MOLEX.COM FOR LATEST PART INFORMATION

Part Number: [0039290043](#)
Status: **Active**
Overview: Mini-Fit Jr. Power Connectors
Description: Mini-Fit Jr. Vertical Header, 4.20mm Pitch, Dual Row, 4 Circuits, without Snap-in Plastic Peg PCB Lock, Gold, Natural

Documents:

| | |
|---|---|
| 3D Model | Application Specification AS-5557-001-001 (PDF) |
| Drawing (PDF) | Packaging Specification PK-5566-000 (PDF) |
| Product Specification PS-5556-001-001 (PDF) | Packaging Specification PK-5566-003-001 (PDF) |
| Product Specification TS-5556-002-001 (PDF) | RoHS Certificate of Compliance (PDF) |



Agency Certification

| | |
|-----|---------|
| CSA | LR19980 |
| UL | E29179 |

General

| | |
|----------------|---|
| Product Family | PCB Headers |
| Series | 5566 |
| Application | Power, Wire-to-Board |
| Comments | The 5566 header should be used with standard Mini-Fit female terminals. If increased amperage of up to 13A per circuit is needed, please consider using the Mini-Fit Plus HCS family 45750 terminals with 46015 headers; . See Molex Product specification PS-5666-001 for current de-rating information. |
| Overview | Mini-Fit Jr. Power Connectors |
| Product Name | Mini-Fit Jr. |
| UPC | 800754205757 |

Physical

| | |
|--------------------------------|-------------|
| Breakaway | No |
| Circuits (Loaded) | 4 |
| Circuits (maximum) | 4 |
| Color - Resin | Natural |
| Durability (mating cycles max) | 30 |
| First Mate / Last Break | No |
| Flammability | 94V-2 |
| Glow-Wire Capable | No |
| Guide to Mating Part | No |
| Keying to Mating Part | None |
| Lock to Mating Part | Yes |
| Material - Metal | Brass |
| Material - Plating Mating | Gold |
| Material - Plating Termination | Matte Tin |
| Material - Resin | Nylon |
| Net Weight | 1207.752/mg |
| Number of Rows | 2 |
| Orientation | Vertical |
| PC Tail Length | 3.50mm |
| PCB Locator | Yes |
| PCB Retention | None |
| PCB Thickness - Recommended | 1.60mm |
| Packaging Type | Bag |
| Pitch - Mating Interface | 4.20mm |
| Pitch - Termination Interface | 4.20mm |
| Plating min - Mating | 0.762µm |

EU ELV

Not Relevant

EU RoHS

Compliant

REACH SVHC

Not Contained Per - ED/61/2018 (27 June 2018)

Halogen-Free

Status

Low-Halogen

For more information, please visit [Contact US](#)

China ROHS

ELV

RoHS Phthalates

China RoHS

Green Image

Not Relevant

Not Contained

Search Parts in this Series

[5566 Series](#)

Mates With

[5557 Mini-Fit Jr. Receptacle Housing](#)

| | |
|--------------------------------|----------------|
| Plating min - Termination | 2.540µm |
| Polarized to Mating Part | Yes |
| Polarized to PCB | Yes |
| Shrouded | Fully |
| Stackable | No |
| Surface Mount Compatible (SMC) | No |
| Temperature Range - Operating | -40° to +105°C |
| Termination Interface: Style | Through Hole |

Electrical

| | |
|-------------------------------|------|
| Current - Maximum per Contact | 9.0A |
| Voltage - Maximum | 600V |

Solder Process Data

| | |
|--|------|
| Duration at Max. Process Temperature (seconds) | 005 |
| Lead-free Process Capability | WAVE |
| Max. Cycles at Max. Process Temperature | 001 |
| Process Temperature max. C | 260 |

Material Info

| | |
|--------------------|------------|
| Engineering Number | 5566-04AGS |
|--------------------|------------|

Reference - Drawing Numbers

| | |
|---------------------------|----------------------------------|
| Application Specification | AS-5557-001-001 |
| Packaging Specification | PK-5566-000, PK-5566-003-001 |
| Product Specification | PS-5556-001-001, TS-5556-002-001 |
| Sales Drawing | SD-5566-002-000 |

This document was generated on 10/19/2018

PLEASE CHECK WWW.MOLEX.COM FOR LATEST PART INFORMATION