

# Vinyl Insulated Double Crimp Male Disconnects **multicomp** PRO



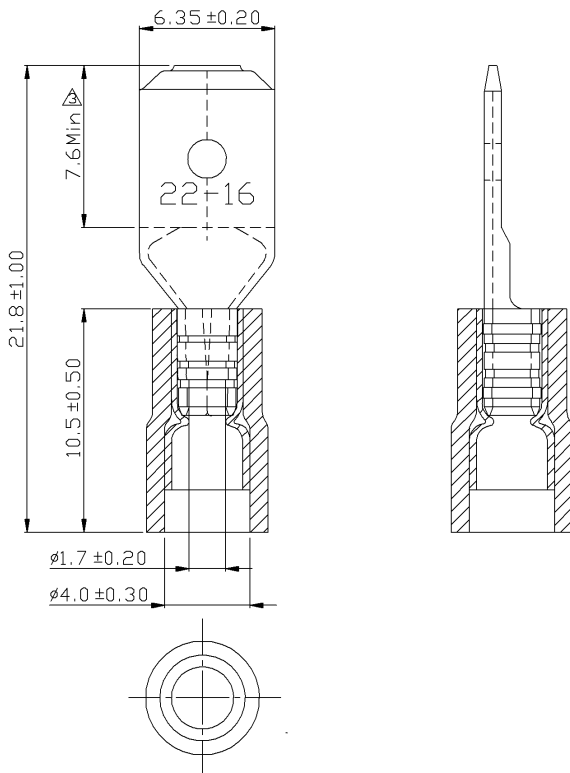
MDD1-250 MDD2-250 MDD5-250

## Specifications:

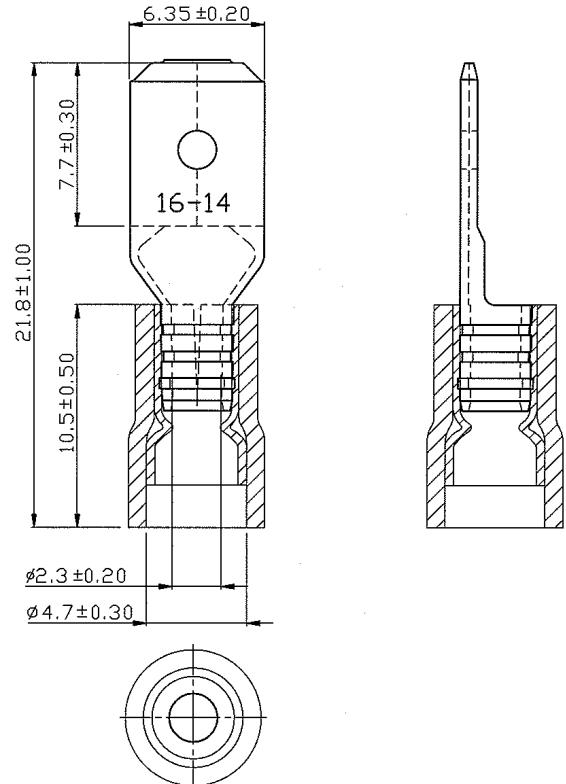
Max. Electrical Rating	: 105°C 600V Max.
Insulation Material	: Vinyl
Terminal Material	: Brass
Nema Tab	: 0.032" × 0.25" (0.8mm × 6.35mm)
Double Crimp	: With Copper Sleeve on Barrel
Terminal Surface Treatment	: Tin Plated
Terminal Thickness	: 0.4mm

Wire Range (AWG)	Max. Electric Current (Amperes)	Insulation Colour	Part Number
22 to 16 (1.25mm <sup>2</sup> )	10	Red	MDD1-250
16 to 14 (2mm <sup>2</sup> )	15	Blue	MDD2-250
12 to 10 (5.5mm <sup>2</sup> )	24	Yellow	MDD5-250

## Diagram for MDD1-250:



## Diagram for MDD2-250:



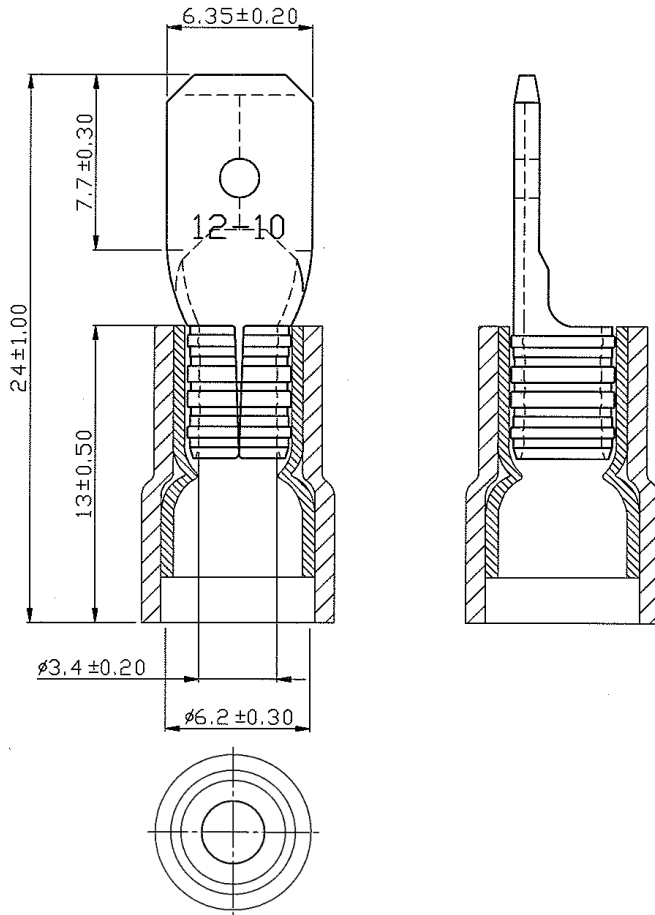
Dimensions : Millimetres

Newark.com/multicomp-pro  
 Farnell.com/multicomp-pro  
 Element14.com/multicomp-pro

**multicomp** PRO

# Vinyl Insulated Double Crimp Male Disconnects **multicomp** PRO

Diagram for MDD5-250:



Dimensions : Millimetres

Part Number Table

Description	Colour	Part Number
Vinyl Insulated Double Crimp Male Disconnects	Red	MDD1-250
	Blue	MDD2-250
	Yellow	MDD5-250

**Important Notice :** This data sheet and its contents (the "Information") belong to the members of the AVNET group of companies (the "Group") or are licensed to it. No licence is granted for the use of it other than for information purposes in connection with the products to which it relates. No licence of any intellectual property rights is granted. The Information is subject to change without notice and replaces all data sheets previously supplied. The Information supplied is believed to be accurate but the Group assumes no responsibility for its accuracy or completeness, any error in or omission from it or for any use made of it. Users of this data sheet should check for themselves the Information and the suitability of the products for their purpose and not make any assumptions based on information included or omitted. Liability for loss or damage resulting from any reliance on the Information or use of it (including liability resulting from negligence or where the Group was aware of the possibility of such loss or damage arising) is excluded. This will not operate to limit or restrict the Group's liability for death or personal injury resulting from its negligence. Multicomp Pro is the registered trademark of Premier Farnell Limited 2019.

Newark.com/multicomp-pro  
Farnell.com/multicomp-pro  
Element14.com/multicomp-pro

**multicomp** PRO