

**PLEASE CHECK WWW.MOLEX.COM FOR LATEST PART INFORMATION**

**Part Number:** [42815-0031](#)  
**Status:** **Active**  
**Overview:** Mini-Fit Sr.™  
**Description:** Mini-Fit Sr.™ Crimp Terminal, Female, 8 AWG, Tin (Sn)

**Documents:**

[Drawing \(PDF\)](#) [Test Summary TS-6547-001 \(PDF\)](#)  
[Product Specification PS-42815-001 \(PDF\)](#) [RoHS Certificate of Compliance \(PDF\)](#)  
[Test Summary TS-42815-001 \(PDF\)](#)

**General**

Product Family Crimp Terminals  
 Series [42815](#)  
 Application Power  
 Comments High Current/Low Force  
 Crimp Quality Equipment Yes  
 Overview Mini-Fit Sr.™  
 Product Name Mini-Fit Sr.™

**Physical**

Gender Female  
 Material - Metal High Performance Alloy (HPA)  
 Material - Plating Mating Tin  
 Material - Plating Termination Tin  
 Packaging Type Reel  
 Plating min - Mating 2.540µm  
 Plating min - Termination 2.540µm  
 Termination Interface: Style Crimp or Compression  
 Wire Insulation Diameter 6.60mm max.  
 Wire Size AWG 12+12, 8  
 Wire Size mm² N/A

**Electrical**

Current - Maximum per Contact 50A

**Material Info**

**Reference - Drawing Numbers**

Product Specification PS-42815-001, RPS-42815-001, RPS-42815-011, RPS-42815-012, RPS-42815-013, RPS-42815-014, RPS-42815-015  
 Sales Drawing SD-42815-  
 Test Summary TS-42815-001, TS-6547-001

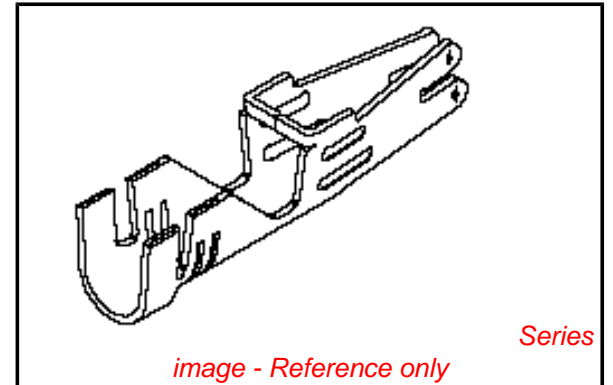


image - Reference only

**EU RoHS**

**ELV and RoHS Compliant**  
**REACH SVHC Contains SVHC: No**  
**Low-Halogen Status Low-Halogen**

**China RoHS**



**Need more information on product environmental compliance?**

Email [productcompliance@molex.com](mailto:productcompliance@molex.com)  
 For a multiple part number RoHS Certificate of Compliance, [click here](#)

Please visit the [Contact Us](#) section for any non-product compliance questions.

**Search Parts in this Series**

42815Series

**Application Tooling | FAQ**

*Tooling specifications and manuals are found by selecting the products below. Crimp Height Specifications are then contained in the Application Tooling Specification document.*

**Global**

Description	Product #
Mini-Mac™ Applicator for Terminals	<a href="#">0638919500</a>
Mini-Mac™ Applicator Hand Crimper - SPECIAL	<a href="#">0638911000</a>
INSULATION CRIMP Manual Extraction Tool	<a href="#">0638111500</a>
Manual Extraction Tool	<a href="#">0638130400</a>

**Japan**

Description	Product #
-------------	-----------

Side-Feed Applicator [0573983200](#)  
For Full-Auto  
Machine

This document was generated on 04/02/2012

**PLEASE CHECK [WWW.MOLEX.COM](http://WWW.MOLEX.COM) FOR LATEST PART INFORMATION**