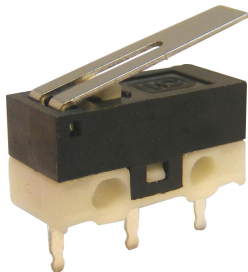


Sub-miniature Snap Action Switch

multicomp PRO

**RoHS
Compliant**



DM1-01P-30-3

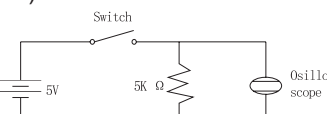
Electrical Specifications

Rated Voltage : 125V AC 1A / DC 5V 30mA
 Contact Resistance : $\leq 100\text{m}\Omega$
 Operating Force : 20~50gf
 Free Position : 10.4mm $\pm 0.8\text{mm}$
 Operating Position : 8.8mm $\pm 0.8\text{mm}$

Reliable Rating

Mechanical Life : 500,000 Cycles
 Electrical Life : 10,000 Cycles
 Insulation Resistance : $\geq 100\text{M}\Omega$ 500V DC
 Withstand Voltage : 500V AC/1 minute
 Soldering Temperature : Hand Soldering
 Operating Temperature : -25°C to $+65^{\circ}\text{C}$
 Ambient Humidity Used : $< 85\% \text{RH}$

Electrical Characteristics

Items	Test Conditions	Criteria
Contact Resistance	Applying a static load twice the operating force to the button, measurements shall be made between the terminals. Measurement shall be made with a stabilization contact resistance meter for 2m Ω precision under the condition which a voltage of DC5V and a current of 0.1A shall be applied between the terminals.	Refer to individual product drawing
Insulation Resistance	Spec. Voltage is applied between each pair of terminals and between the terminal and the metal frame for one minute. Measurement shall be made with a test instrument of insulation resistance under the condition which a voltage of spec. voltage is applied between the terminals.	Refer to individual product drawing
Dielectric withstand in voltage	Spec. voltage shall be applied across terminals and frame for one minute.	There shall be no breakdown
Bounce	Lightly striking the center of the button at a rate encountered in normal use (3 to 4 operating per sec.) bounce shall be tested at "ON" and "OFF". 	5ms max

Mechanical characteristics

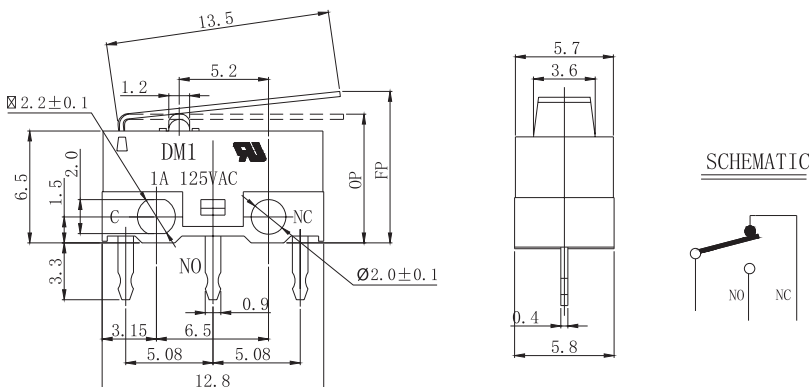
Free Position	Position of switch plunger or actuation when on external force is applied.	Refer to individual product drawing
Operating Position	Position of switch plunger or actuator at which point contacts snap from normal to operated position. Note that the case of flexible of adjustable actuators.	Refer to individual product drawing
Operating Force	Placing the switch such that the direction of switch operation is vertical, and then gradually increasing the load applied to the button, the maximum load for the button to come to operating position shall be measured.	Refer to individual product drawing
Terminal Strength	Placing the switch such that the direction of switch operation is vertical, a static load of 3kgf Max shall be applied to the tip of the terminal in the direction of operation for one minute.	There shall be no sign of damage mechanically and electrically.

Sub-miniature Snap Action Switch

multicomp PRO

Button Strength	Placing the switch such that the direction of switch operation is vertical, a static load of 3kgf Max shall be applied to the centre. Of the button in the direction of button operation for one minute.	There shall be no sign of damage mechanically and electrically.
Soldering characteristics		
Hand Soldering	Use a soldering iron of 30 watts , controlled at 350-360°C approximately 3 seconds 1 time while applying solder.	(1) A new uniform coating of solder shall cover a minimum of 90% of the surface being immersed. (2) There shall be no defects in appearance or in the mechanical functions.
Durability characteristic		
Mechanical life	(1) Without loading (2) Operating speed : 120 cycles/minute (3) Push force : maximum value of operating force twice (4) Life: 500,000 cycles	After test: (1) Contact resistance: 1ΩMax. (2) Insulation resistance: 10MΩ Min. (3) Bounce: 5m sec. Max. (4) Withstand voltage: AC500V, 1 minute (5) Operating force: 30% of initial value (6) There shall be no defects in appearance or in the mechanical functions.
Electrical life	(1) Operating speed : 10 cycles/minute (2) Push force : maximum value of operating force twice (3) which the load of 1A 125V AC Life: 10,000 cycles	

Diagram



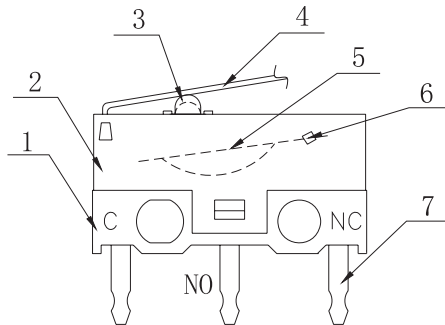
Dimensions : Millimetres
Tolerance: ±0.2mm

Newark.com/multicomp-pro
Farnell.com/multicomp-pro
sg.element14.com/b/multicomp-pro

multicomp PRO

Sub-miniature Snap Action Switch

Structure chart



NO.	Part Name	Generic Class	Qty
1	Base	PBT	1
2	Case		
3	Button		
4	Lever		
5	Spring Plate		
6	Contact	Silver alloy	3
7	Terminal	C2680	

Part Number Table

Description	Part Number
Microswitch, Snap Action, Short Lever, SPDT, 1A, 125V AC, White, THT	DM1-01P-30-3

Important Notice : This data sheet and its contents (the "Information") belong to the members of the AVNET group of companies (the "Group") or are licensed to it. No licence is granted for the use of it other than for information purposes in connection with the products to which it relates. No licence of any intellectual property rights is granted. The Information is subject to change without notice and replaces all data sheets previously supplied. The Information supplied is believed to be accurate but the Group assumes no responsibility for its accuracy or completeness, any error in or omission from it or for any use made of it. Users of this data sheet should check for themselves the Information and the suitability of the products for their purpose and not make any assumptions based on information included or omitted. Liability for loss or damage resulting from any reliance on the Information or use of it (including liability resulting from negligence or where the Group was aware of the possibility of such loss or damage arising) is excluded. This will not operate to limit or restrict the Group's liability for death or personal injury resulting from its negligence. Multicomp Pro is the registered trademark of Premier Farnell Limited 2019.