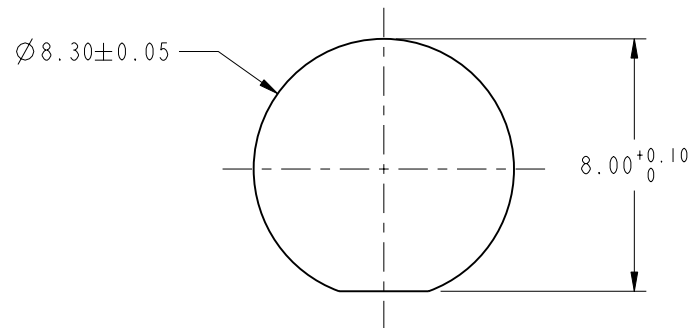
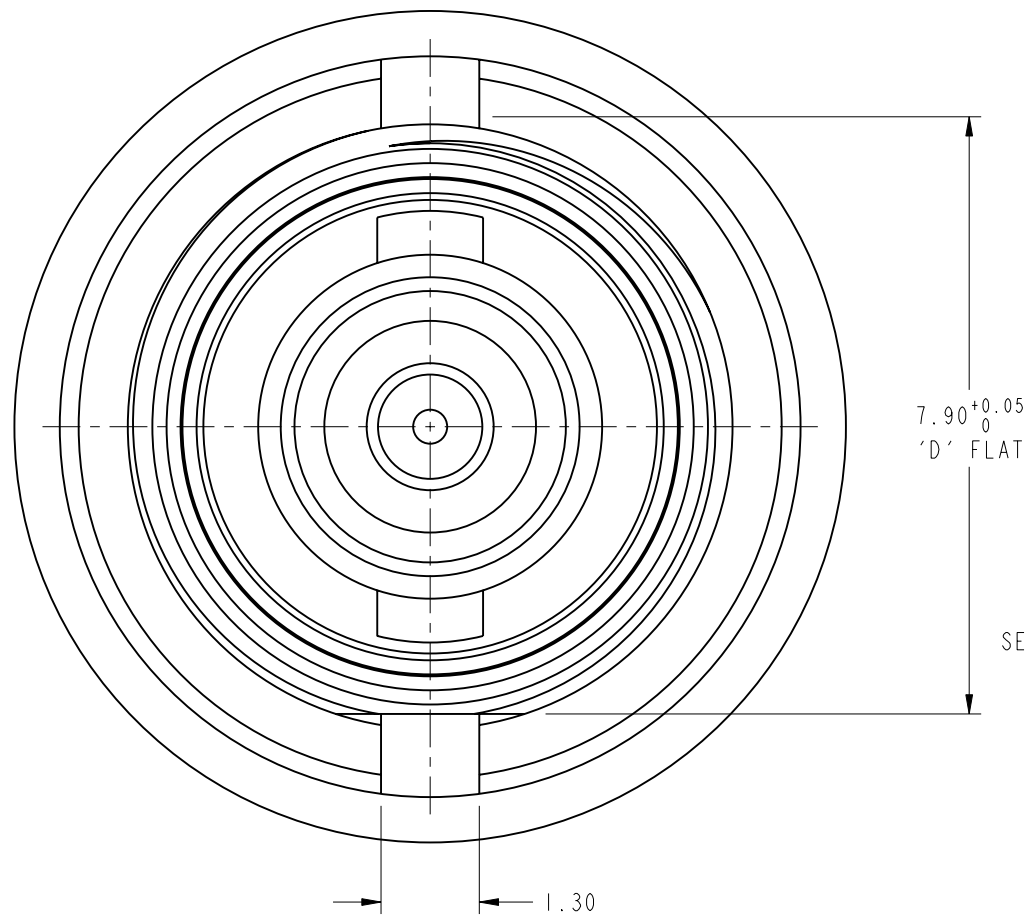


NOTES:

1. MATERIALS AND FINISHES:
 BODYS - BRASS, NICKEL PLATING
 CONTACT - BeCu, GOLD PLATING
 SLEEVE - DELRIN
 INSULATOR - PTFE
2. ELECTRICAL:
 A. IMPEDANCE: 75 OHM
 B. FREQUENCY RANGE: DC - 3 GHz
 C. RETURN LOSS: -30 dB MIN @ 3 GHz
3. MECHANICAL:
 A. DURABILITY: 500 CYCLES MIN.
 B. TEMPERATURE RANGE: +65° C TO -165° C
4. PACKAGING:
 A. QUANTITY: SINGLE PACK
 B. MARKING: BAG TO BE MARKED
 "AMPHENOLRF, APH-HD-ISO-HD AND DATE CODE"



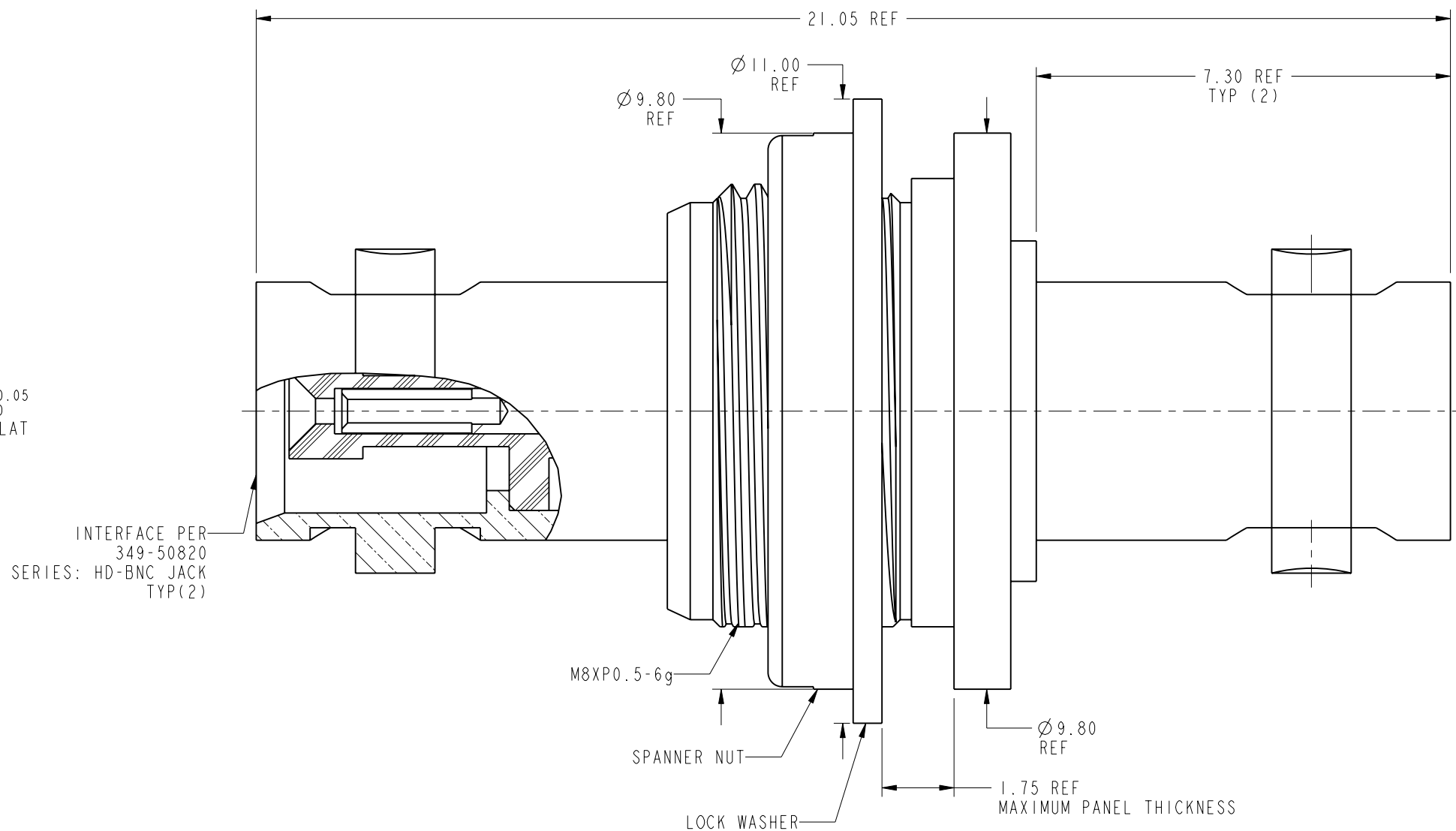
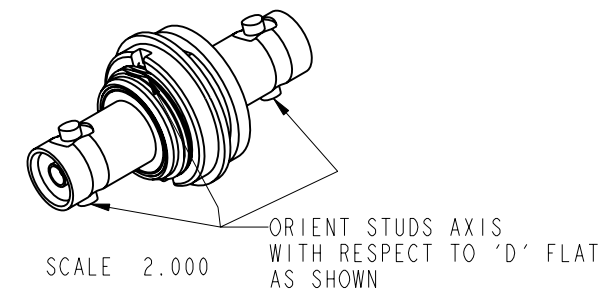
**SCALE 4.200
 RECOMMENDED
 MOUNTING HOLE DIMENSIONS**



THIRD ANGLE PROJ.

REVISIONS

REV	DESCRIPTION	DATE	ECO	APPR
A	RELEASE TO MFG	30-Mar-11	48505	CL
B	'D' FLAT 7.90 WAS 7.80	22-Jul-11	48638	SCOTT
C	ADDED LOCK WASHER	27-Sep-11	48749	SCOTT



UNLESS OTHERWISE SPECIFIED, DIMENSIONS ARE IN METRIC AND TOLERANCES ARE:
 <0.5mm ±0.05mm 0.5 - 6mm ±0.1mm 6 - 30mm ±0.2mm 30 - 120mm ±0.3mm ANGLES ±1°

NOTICE - These drawings, specifications, or other data (1) are, and remain the property of Amphenol corp. (2) must be returned upon request; and (3) are confidential and not to be disclosed to any person other than those to whom they are given by Amphenol Corp. the finishing of these drawings, specifications, or other data by Amphenol Corp., or to any other person to anyone for any purpose is not to be regarded by implication or otherwise in any manner licensing, granting rights to permitting such holder or any other person to manufacture, use or sell any product, process or design, patented or otherwise, that may in any way be related to or disclosed by said drawings, specifications, or other data.

MATERIAL	SEE NOTES
REFERENCE	EAR # 4295 AND EXP:615X-2733-100
CONFIGURATION LEVEL:	<input type="checkbox"/> <input type="checkbox"/> <input type="checkbox"/>
FINISH	

DRAWN	I.XU	DATE	27-Sep-11
ENGINEER	R.KARTHIK	DATE	19-Nov-10
APPROVED	S.HSIEH	DATE	27-Sep-11
CAD FILE			

TITLE	ISOLATED ADAPTER HD BNC JACK TO HD BNC JACK
SCALE:	10.0:1.0
SHEET	2 OF 2
DWG SIZE	B
REV	C

Amphenol RF www.amphenolrf.com	
DRAWING NO. APH-HD-ISO-HD	
ITEM NO. APH-HD-ISO-HD	
PART NO. APH-HD-ISO-HD	