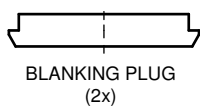
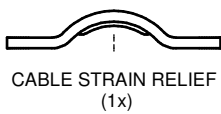
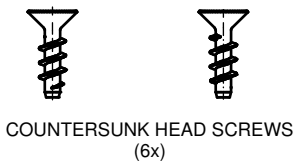
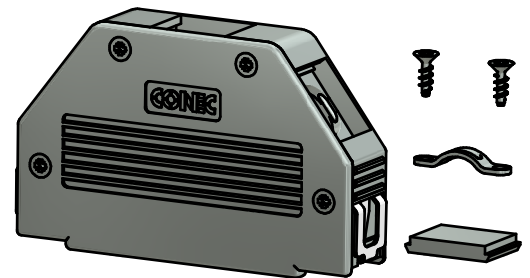
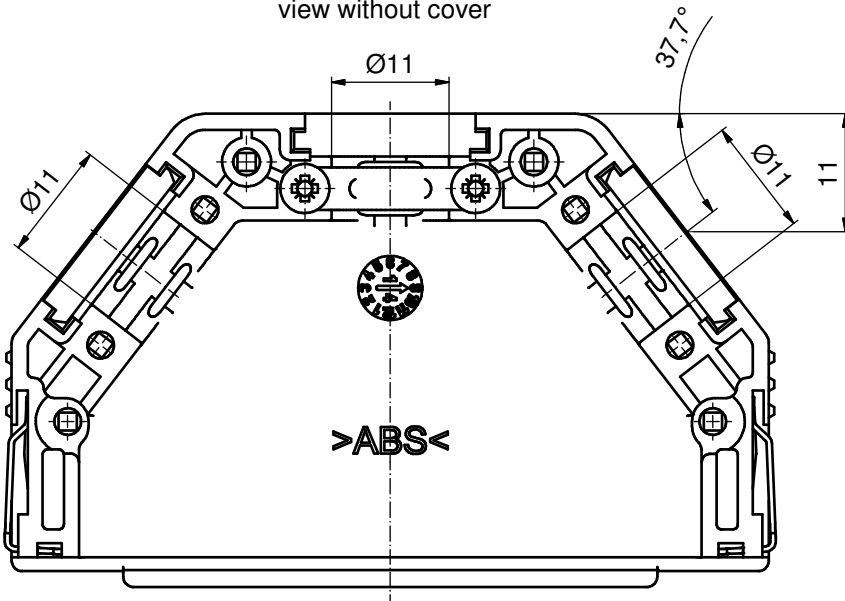


view without cover



RoHS compliant

HOOD ASSEMBLY CONSISTS OF:

1. HOOD + COVER: ABS UL 94 V-0; NICKEL PLATED
2. BLANKING PLUGS: ABS UL 94 V-0; NICKEL PLATED
3. CABLE STRAIN RELIEF: STEEL; NICKEL PLATED
4. CLIP: STAINLESS STEEL
5. COUNTERSUNK HEAD SCREWS: STEEL; NICKEL PLATED

Part-No.	
Bulk package	Single package
16-001780	16-001780E

THIS DRAWING MAY NOT BE COPIED OR REPRODUCED IN ANY WAY, AND MAY NOT BE PASSED ON TO A THIRD PARTY WITHOUT WRITTEN PERMISSION. OWNERSHIP AND COPYRIGHT OF CONEC GmbH DO NOT ALTER CAD DRAWING BY HAND	tolerance		dim. in mm	scale: 2:1 (1:1)		
				material: see drawing		
	drawn	25.09.14	Henneboel		title: Plastic Hood 37pos with Snap Lock / top and two sides cable exit	
	appd.	25.09.14	Strakerjahn			
	norm		d-old			
2 x b	A5619	22.04.2015	K.H.	dwg no:	DIN-A3	
a	Original			16K1A3532	sh: 1	
rev.	description	date	name	part no: (b) SEE TABLE		

