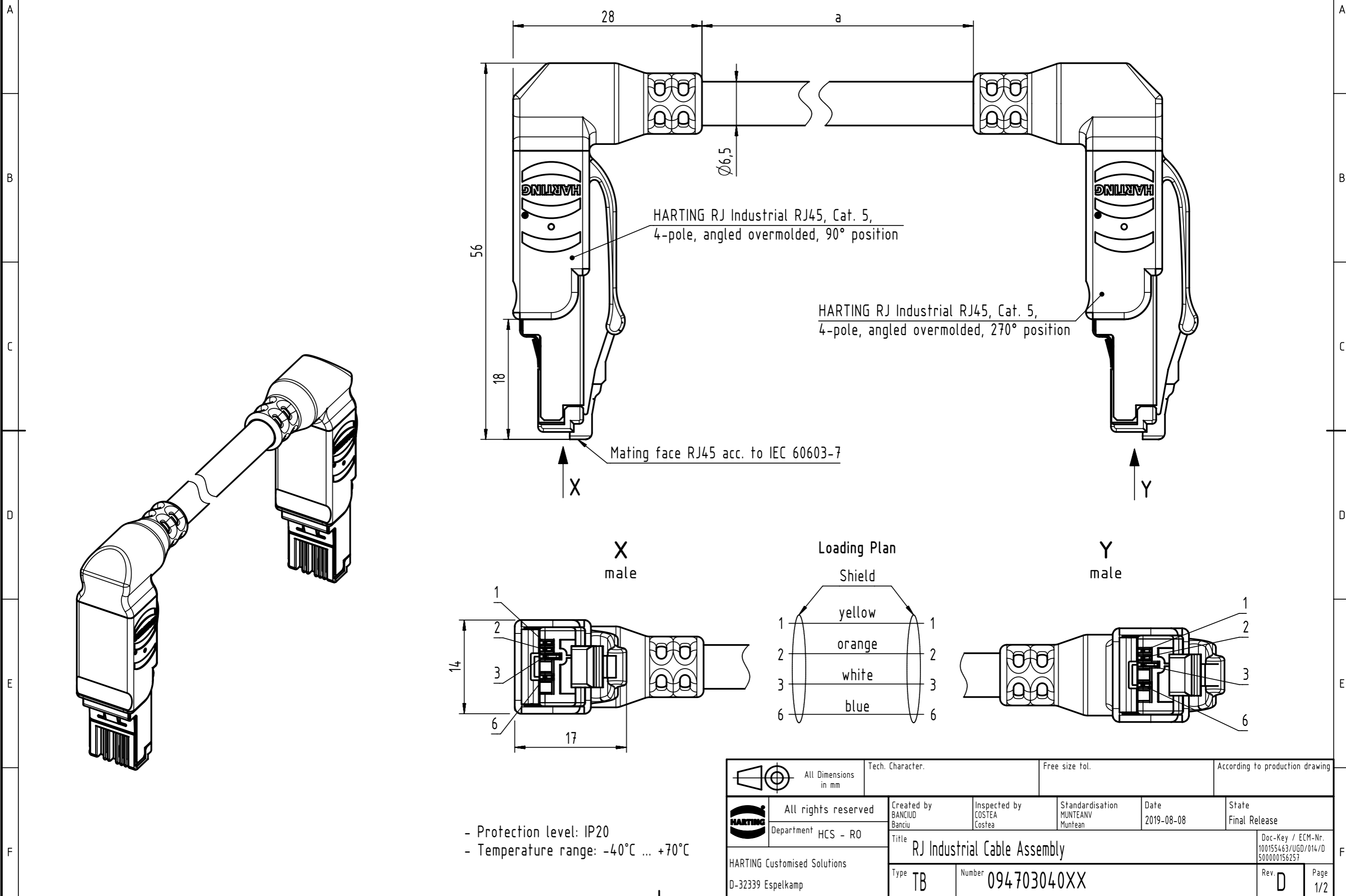


Connector Location A

Connector Location B



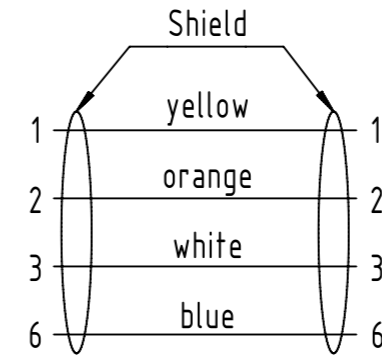
HARTING RJ Industrial RJ45, Cat. 5,  
4-pole, angled overmolded, 90° position

HARTING RJ Industrial RJ45, Cat. 5,  
4-pole, angled overmolded, 270° position

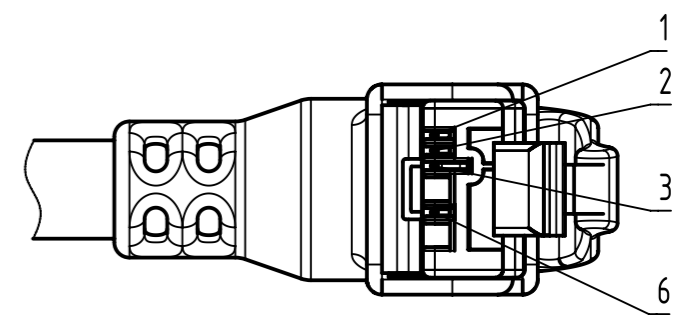
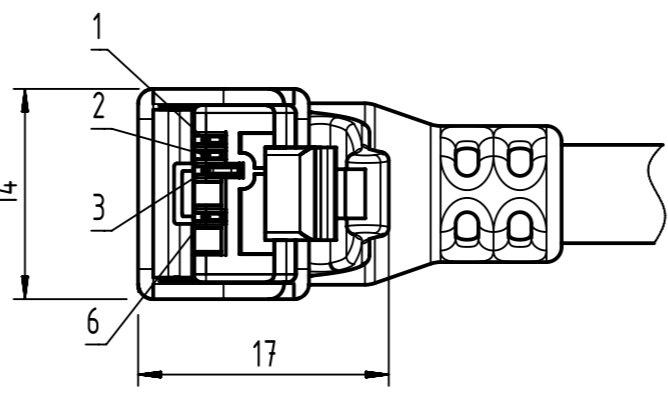
Mating face RJ45 acc. to IEC 60603-7

X  
male

Loading Plan



Y  
male



- Protection level: IP20  
- Temperature range: -40°C ... +70°C

		All Dimensions in mm		Tech. Character.		Free size tol.		According to production drawing	
All rights reserved Department HCS - RO		Created by BANCIUD Banciu		Inspected by COSTEA Costea		Standardisation MUNTEANV Muntean		Date 2019-08-08	
HARTING Customised Solutions D-32339 Espelkamp		Title RJ Industrial Cable Assembly		Type TB		Number 094703040XX		State Final Release	
						Doc-Key / ECM-Nr. 100155463/UGD/014/D 500000156257		Rev. D Page 1/2	

